

SERVICE POLES

Canadian Electrical Raceway's service poles are manufactured from aluminum extrusion, supplied satin anodized and are CSA approved for use with a wide range of power / data combinations.

Two sizes of poles are available to suit a large variety of applications.

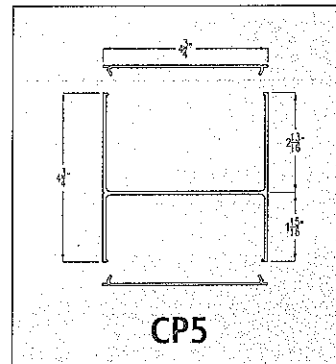
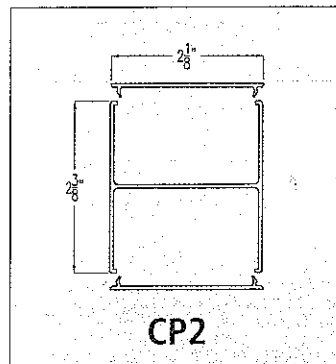
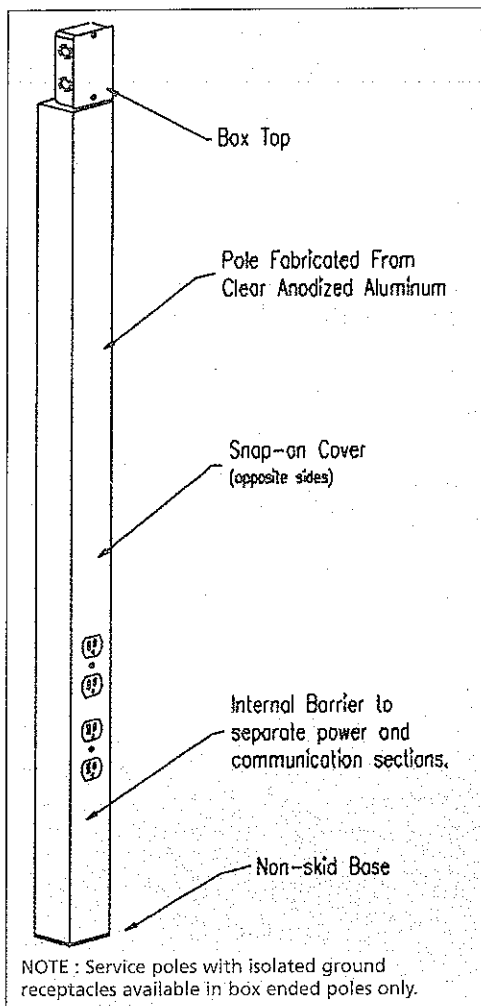
Service poles are available in lengths of up to 24 feet, with up to 6 receptacles in number, either standard U ground duplex or isolated ground duplex receptacles.

Poles are available in standard single circuit or optional multiple circuits, wired to a 15 ft. cord set or to a box for hard wiring or as may be required.

All poles are shipped with a "T" bar clamp, a self adhesive plastic ceiling trim piece and a baseplate. The baseplate is prepunched with 2 holes for anchoring to the floor. It is also supplied with a Velcro pad which can be used with either tile or carpeted flooring.

Although clear satin anodized is the standard finish, C.E.R. service poles are also available in a wide range of colours.

C.E.R. service poles are also available with an adjustable foot and sleeve or an optional steel white powder coated ceiling trim assembly.

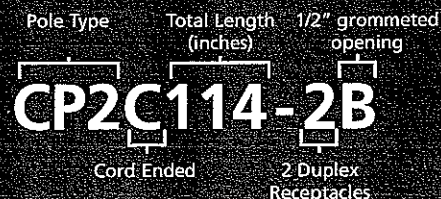


A variety of special receptacle combinations can also be ordered. Contact factory for details on any of the above.

STANDARD ORDERING INFORMATION

Specify series	CP2 or CP5	
Specify Type	C= cord ended B= box ended	
Specify height in inches	(add 6" to ceiling height.)	
Specify Type & number of receptacles	1 = One 15 amp duplex 2 = Two 15 amp duplex 3 = Three 15 amp duplex 4 = Four 15 amp duplex 5 = One 15 amp IG duplex 6 = Two 15 amp IG duplex B = Blank pole	
Specify Type of Tel/Data openings	A= no opening B= 1/2" dia. grommeted opening C= Two 1/2" dia. grommeted openings D= One RJ45 tel/data opening E= Two RJ45 tel/data openings F= One std.duplex cut out G= Two std.duplex cut outs H= One std.Decora cut out J= Two std.Decora cut outs	

EXAMPLE PART NUMBER CP2C114-2B

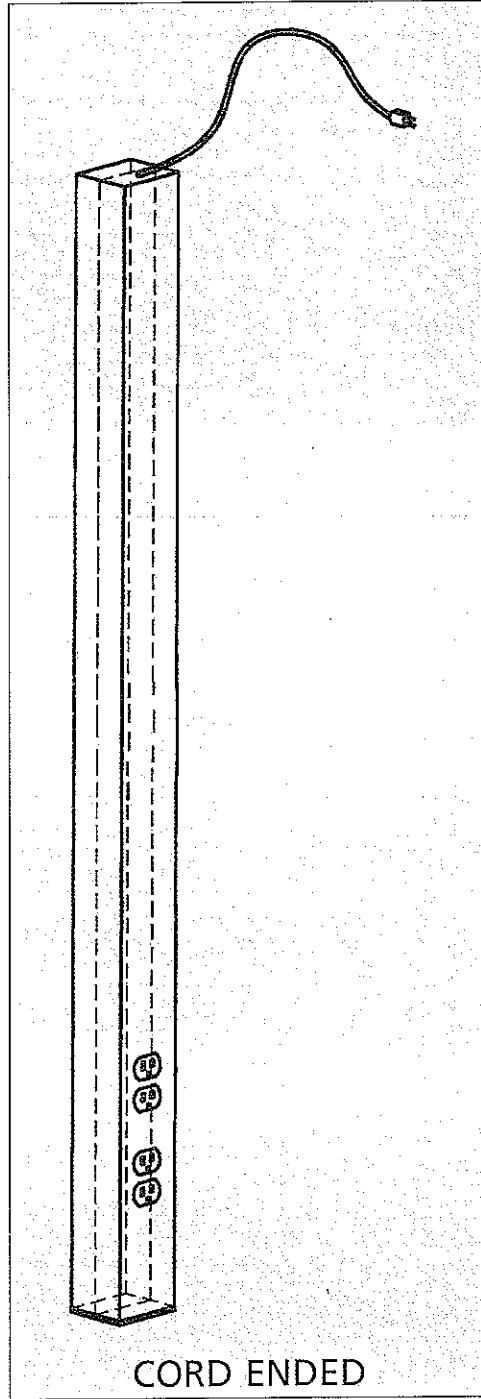
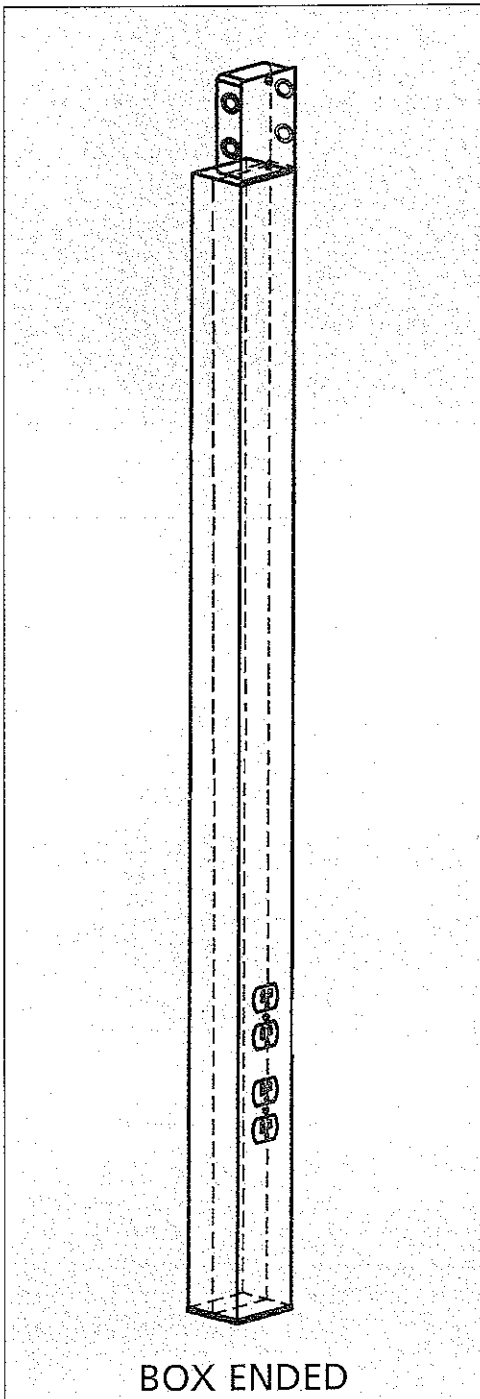


CANADIAN ELECTRICAL RACEWAYS INC.

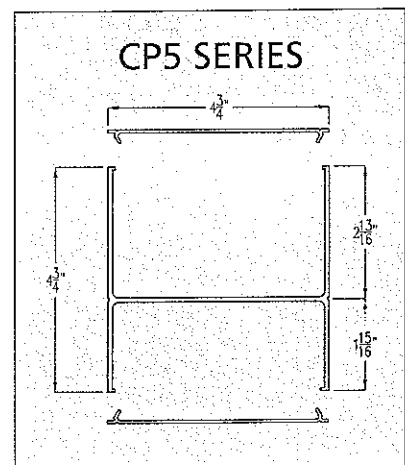
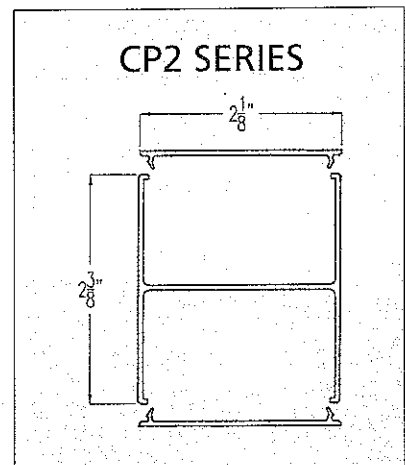
900 Winston Churchill Blvd., Oakville, ON L6J 7X5 Tel.905.337.7522 Fax.905.337.7426 cer@ceronline.ca
www.ceronline.ca

SERVICE POLES

Canadian Electrical Raceways service poles are manufactured from aluminum extrusion, supplied satin anodized and CSA approved for use with a wide range of power/data combinations. Service poles are readily available in lengths up to 24ft. with up to 6 receptacles in number, either standard duplex or IG. Poles are available in standard single circuit or optional multiple circuits, wired to a cord or hard wired to a box as required. Although the standard finish is satin anodized aluminum, a wide range of colors are available.



TWO SIZES
AVAILABLE FOR
A VARIETY OF
APPLICATIONS



CANADIAN ELECTRICAL RACEWAYS INC.

900 Winston Churchill Blvd., Oakville, ON L6J 7X5 Tel.905.337.7522 Fax.905.337.7426 cer@ceronline.ca

www.ceronline.ca

