

Features + Specifications

IP54-207702



Intended Use:

- Building interior/exterior
- Wall mount

Construction:

- Die cast aluminum
- Stainless steel hardware
- Easy mount back plate
- Silicone gasket

Finish:

- Powder coat paint

Optical System:

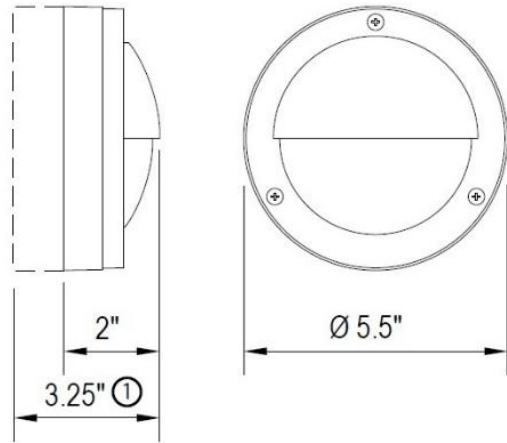
- Frosted Lens
- Long life LED module
- 3000K CCT 600lm with 80 CRI

Electrical System:

- DOB Driver On Board Technology
- HPF High Efficiency low THD
- RoHS Compliant
- Short circuit and overheat protected

Installation:

- Back plate designed to mount on 4" round electrical box
- Custom surface conduit entry hub(s) available ①



Product Code Information

IP54 - 207702 -	COLOR	LAMP	VOLTAGE	OPTIONS
	B=Black W=White A=Aluminum CC=Custom Color	6W3K=3000K	120=120V AC 12VDC=12V DC	① CEH= Conduit entry hub(s)

Project Name:		Fixture Type:	
QTY:	Product Code:		