

Type IC, Wet & Air-Tight



DESCRIPTION

3" Round Regressed Gimbal LED With Integral Driver In Connection Box
Fits Where No Other Recessed Fixture Can
Unique Design: Gimbal Yet Air-Tight Without Housing Needed

FEATURES & BENEFITS

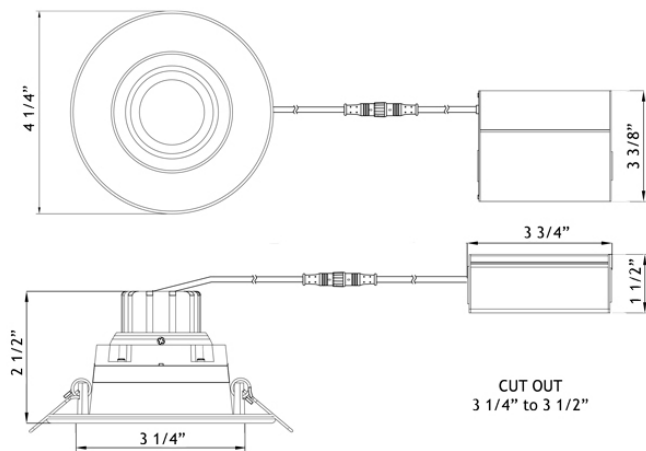
2 1/2" Thin - Install Where Ceiling Space Is Limited
Type IC Rated - No Housing Required
Fast & Easy To Install - Save On Labour
Driver Inside Connection Box - No Junction Box Needed
Directional Beam - Great for Sloped Ceilings and Highlighting Artwork
CRI 90+ for True Colour Rendering

MOUNTING

Cut Hole In Ceiling And Snap Fixture In Opening With Attached Spring Clips
Ceiling Clearance Required:
2 1/2" for Romex, 3 1/2" for MC or BX installations

DIMENSIONS

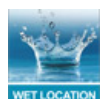
ID 3 1/4" OD 4 1/4" Cut Out 3 1/4" to 3 1/2"



COMPLIANCE



Canadian Patent No. 2,967,954 and United States Patent Pending



Project: _____

Location: _____

Trim Finish: _____ Qty: _____

Notes: _____

SPECIFICATION	
Applications	Sloped Ceilings, Highlighting Artwork
Energy Used	7.5 W
Colour Temperature	2700 K
Light Output	580 lm
Halogen Equivalent	50 W
Beam Angle	38° Beam with 20° tilt and 360° rotation
CRI	90 +
Driver Input	120V AC or 277V-347V AC 50/60 Hz
Power Factor	0.98
Dimming	TRIAC Dimmers 5% - 100%
Approved Location	Insulated Ceiling, Damp & Wet Locations
IP Rating	IP 54
Air Tight	Yes
Ambient Temperature	-40° F (-40° C) to +104° F (+40° C)
Projected Life	70% Light Output at 50,000 Hours
Certification	cULus, Energy Star, T24
Warranty	10 Year on Residential 5 Year on Commercial Applications

Driver Included

Cable Rating FT4 / CM



Available Trims



White

Black

CHARACTERISTICS

Unique Design: 3/4" Regressed 3" Gimbal with 20° tilt and 360° rotation. Air-Tight Without Housing Needed. **Canadian Patent No. 2,967,954 and United States Patent Pending.**

Body: Durable, Die Cast Aluminum Alloy for Optimal Heat Dissipation.

Paint: Oil Based Spray Painted - Scratch Resistant And Smooth Finish.

LED: Epistar COB Custom Packaged by Hongli Tronic with LM80.

Guaranteed 98% Lumen Maintenance After 6,000 Hours.

Strict Binning To Ensure Consistent Light Colour. CRI 90 for True Colour Rendering.

Driver: 4th Generation Lotus Designed. Field Proven Since 2011.

Connection Box: Patented Invention By Lotus LED Lights.

Saves Contractors Labour On Installation.

Testing: Every Single Driver Is Powered For Minimum 24 Hours Together With The Fixture That It Is Shipped With. No Random Tests.


LOTUS LED Lights

LED lighting facts
A Program of the U.S. DOE

Light Output (Lumens)	580
Watts	7.5
Lumens per Watt (Efficacy)	77.33

Color Accuracy
Color Rendering Index (CRI) **90**

Light Color
Correlated Color Temperature (CCT) **2700 (Warm White)**



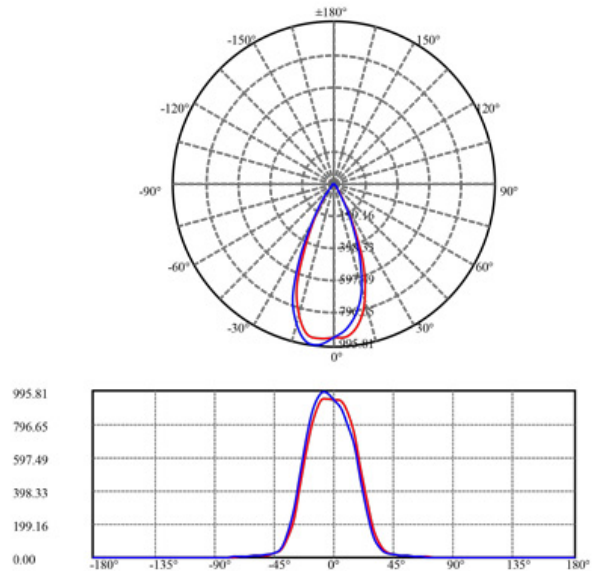
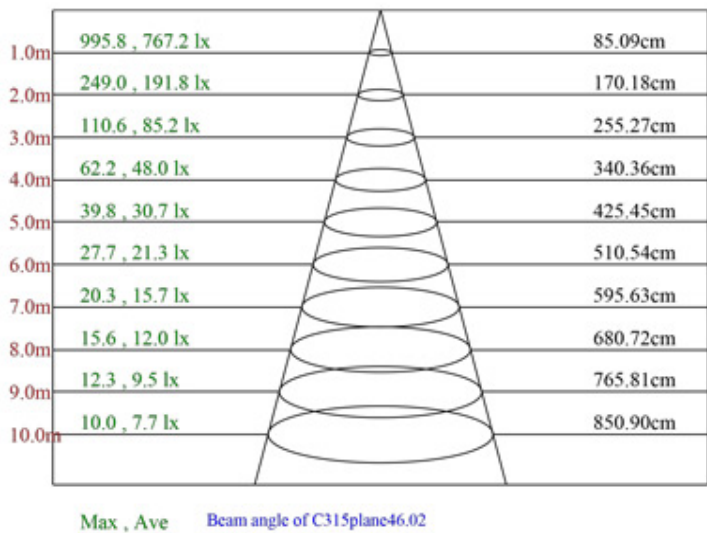
All results are according to IESNA LM-79-2008: Approved Method for the Electrical and Photometric Testing of Solid-State Lighting. The U.S. Department of Energy (DOE) verifies product test data and results.

Visit www.lightingfacts.com for the Label Reference Guide.

Registration Number: K53C-OHOFL2 (10/26/2017)
Model Number: LRG3-27K
Type: Luminaire - Downlight

PHOTOMETRIC DATA OF A LAB TESTED SAMPLE

MODEL: LRG3-27K	LAMP FLUX: 584 LM	
VOLTAGE: 120 V	LUMENS / POWER: 82 LM/W	
POWER: 7.15 W	CENTRAL INTENSITY: 941 CD	
PF: 0.99	BEAM ANGLE: 46 DEGREES	



ORDERING GUIDE

Example: **LRG3 - 27K - WH**

LRG3 - 27K -
WH : White
BK : Black

Order 277V - 347V Optional Driver Separately As cat # LLL-LD0617H



ACCESSORIES



Low Voltage Extension Cables
 6ft - cat # **EXC6**, 20ft - cat # **EXC20**
 Max 40 ft Extension Allowed



Flanged Rough-In Plate - cat # **LRP312**



Warehouses

Vancouver Toronto Las Vegas Naples Philadelphia Dallas Seattle Chicago Denver

tel: **1-844-24-LOTUS (56887)**

fax: 1-877-561-6306

www.lotusLEDlights.com