

### Type IC, Wet & Air-Tight



#### DESCRIPTION

3" Round Regressed Gimbal LED With Integral Driver In Connection Box  
Fits Where No Other Recessed Fixture Can  
**Unique Design: Gimbal Yet Air-Tight Without Housing Needed**

#### FEATURES & BENEFITS

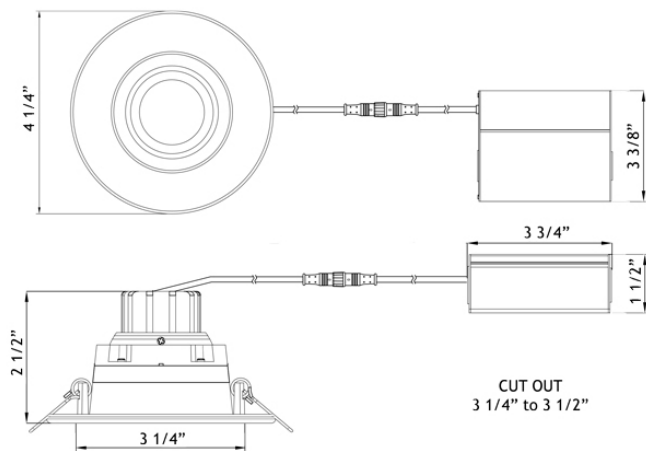
**2 1/2" Thin** - Install Where Ceiling Space Is Limited  
**Type IC Rated** - No Housing Required  
**Fast & Easy To Install** - Save On Labour  
**Driver Inside Connection Box** - No Junction Box Needed  
**Directional Beam** - Great for Sloped Ceilings and Highlighting Artwork  
**CRI 90+** for True Colour Rendering

#### MOUNTING

Cut Hole In Ceiling And Snap Fixture In Opening With Attached Spring Clips.  
Ceiling Clearance Required:  
2 1/2" for Romex, 3 1/2" for MC or BX installations

#### DIMENSIONS

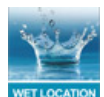
ID 3 1/4"    OD 4 1/4"    Cut Out 3 1/4" to 3 1/2"



#### COMPLIANCE



Canadian Patent No. 2,967,954 and United States Patent Pending



Project: \_\_\_\_\_

Location: \_\_\_\_\_

Trim Finish: \_\_\_\_\_ Qty: \_\_\_\_\_

Notes: \_\_\_\_\_

SPECIFICATION	
Applications	Sloped Ceilings, Highlighting Artwork
Energy Used	7.5 W
Colour Temperature	3000 K
Light Output	600 lm
Halogen Equivalent	50 W
<b>Beam Angle</b>	<b>38°</b> Beam with 20° tilt and 360° rotation
CRI	90 +
Driver Input	120V AC or 277V-347V AC 50/60 Hz
Power Factor	0.98
Dimming	TRIAC Dimmers 5% - 100%
Approved Location	Insulated Ceiling, Damp & Wet Locations
IP Rating	IP 54
Air Tight	Yes
Ambient Temperature	-40° F (-40° C) to +104° F (+40° C)
Projected Life	70% Light Output at 50,000 Hours
Certification	cULus, Energy Star, T24
<b>Warranty</b>	<b>10 Year on Residential</b> <b>5 Year on Commercial Applications</b>

#### Driver Included

Cable Rating FT4 / CM



#### Available Trims



White

Black

**CHARACTERISTICS**

**Unique Design:** 3/4" Regressed 3" Gimbal with 20° tilt and 360° rotation. Air-Tight Without Housing Needed. **Canadian Patent No. 2,967,954 and United States Patent Pending.**

**Body:** Durable, Die Cast Aluminum Alloy for Optimal Heat Dissipation.

**Paint:** Oil Based Spray Painted - Scratch Resistant And Smooth Finish.

**LED:** Epistar COB Custom Packaged by Hongli Tronic with LM80.

Guaranteed 98% Lumen Maintenance After 6,000 Hours.

Strict Binning To Ensure Consistent Light Colour. CRI 90 for True Colour Rendering.

**Driver:** 4th Generation Lotus Designed. Field Proven Since 2011.

**Connection Box:** Patented Invention By Lotus LED Lights.

Saves Contractors Labour On Installation.

**Testing:** Every Single Driver Is Powered For Minimum 24 Hours Together With The Fixture That It Is Shipped With. No Random Tests.

**Lighting facts**  
A Program of the U.S. DOE

Light Output (Lumens)	600
Watts	7.5
Lumens per Watt (Efficacy)	80
Color Accuracy Color Rendering Index (CRI)	90
Light Color Correlated Color Temperature (CCT)	3000 (Bright White)

2700K 3000K 4500K 6500K

Warm White Bright White Daylight

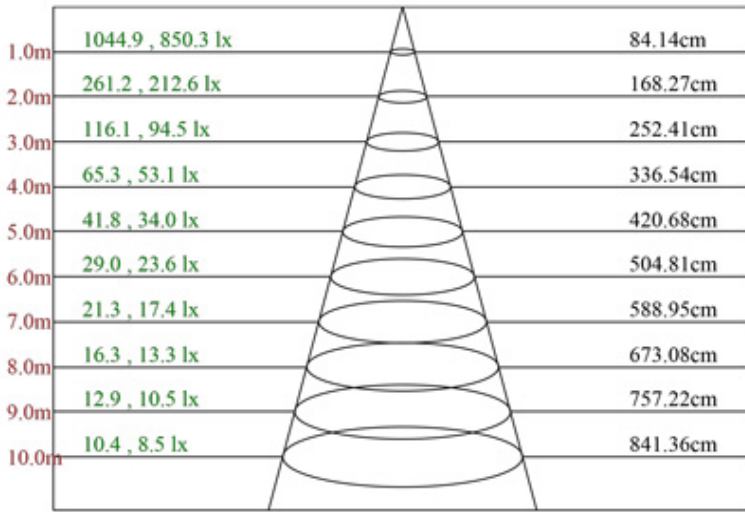
All results are according to IESNA LM-79-2008. Approved Method for the Electrical and Photometric Testing of Solid-State Lighting. The U.S. Department of Energy (DOE) verifies product test data and results.

Visit [www.lightingfacts.com](http://www.lightingfacts.com) for the Label Reference Guide.

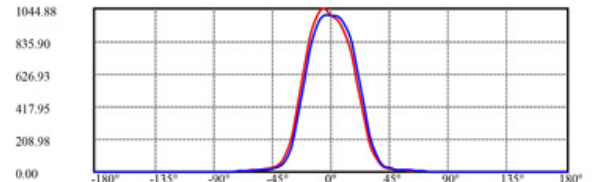
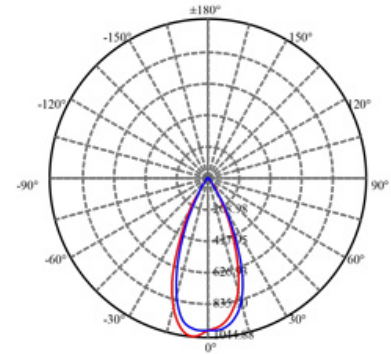
Registration Number: K53C-XN7FV2 (10/26/2017)  
Model Number: LRG3-30K  
Type: Luminaire - Downlight

**PHOTOMETRIC DATA OF A LAB TESTED SAMPLE**

MODEL:	LRG3-30K	LAMP FLUX:	606 LM
VOLTAGE:	120 V	LUMENS / POWER:	86 LM/W
POWER:	7.04 W	CENTRAL INTENSITY:	999 CD
PF:	0.99	BEAM ANGLE:	46 DEGREES



Max , Ave Beam angle of C180plane45.62



**ORDERING GUIDE**

Example: LRG3 - 30K - WH

LRG3 - 30K -  Trim Finish  
WH : White  
BK : Black

Order 277V - 347V Optional Driver Separately As cat # LLL-LD0617H



**ACCESSORIES**



Low Volage Extension Cables  
6ft - cat # EXC6, 20ft - cat # EXC20  
Max 40 ft Extension Allowed



Flanged Rough-In Plate - cat # LRP312



**Warehouses**  
Vancouver Toronto Las Vegas Naples Philadelphia Dallas Seattle Chicago Denver

tel: 1-844-24-LOTUS (56887)

fax: 1-877-561-6306

[www.lotusLEDlights.com](http://www.lotusLEDlights.com)