

PRMRN

“NOAH” WET LOCATION ANTI VANDAL RUNNING MAN COMBO

The PRMRN series of wet location combination running man exit signs is designed to operate in extreme environments. The PRMRN series is designed using a polycarbonate housing. The housing features integral wall mounting points and a molded gasket that completely seals the housing from the elements.

FEATURES AND SPECIFICATIONS

• **Electrical and circuitry**

- LED ultra bright light source
- 120/277/347VAC 60Hz Input, field selectable
- 30 minutes minimum emergency power duration (depending on selected lamp type)
- Temperature compensated charger
- Diagnostic/pilot LED
- Complete battery recharge in 24 hours

• **Mechanical**

- One piece, molded and gasketed lens
- Stainless steel tamper proof screws and bits
- Universal spider knockout pattern stamped into backplate for junction box mounting
- Universal models include ceiling or end mount, field installable canopy kit
- Black or white finish
- Universal mounting

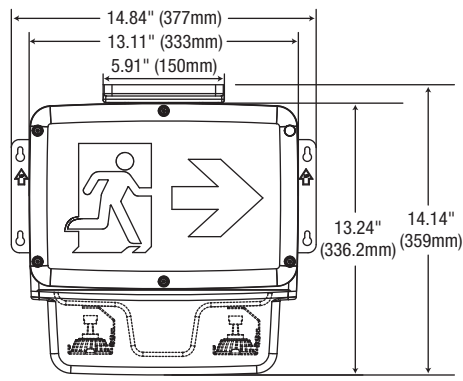
• **Approvals**

- CSA Certified to C22.2 #141-15
- CSA Certified to C860-11
- CSA Certified type 2, 3, 3R, 4, 4X, 5,12 or 12K
- CSA Certified to NSF 2

• **Compliance**

- Meets requirements of ICES-005

DIMENSIONS



Comes standard (single face) with three pictogram legends for direction selection.



Comes standard (double face) with two pictogram legends.



For double face no arrow options, select “0” on the options column.

Project: _____
 Type: _____
 Catalogue #: _____
 Drawn by: _____
 Date: _____



ICES
005



Energy Verified
Énergie Vérifiée



SANITATION
NSF/ANSI 2

OVERVIEW

Light source	LED
Input voltage	120/277/347VAC
CW or CW1 input voltage	120/277 or 347VAC
CW or CW1 input power	30W
DC voltage	6VDC and 12VDC

ORDERING GUIDE

PRMRN					2		AT	
Series	Voltage	Wattage	Number of face	Housing colour	Heads	Lamp selection	Mandatory options	Options
PRMRN	6 - 6V	036 - 36 watts Ni-Cd	1 - Single face 2 - Double face	BK - Black WH - White	2 - 2 heads	See lamp selection chart	AT - Autotest	Blank - Standard +10°C to +25°C CW - Cold Weather at -40°C to +40°C* (for 120/277VAC) CW1 - Cold Weather at -40°C to +40°C** 0 - No indicators (double face only) ↓ ↑ ↗ ↘ ↙ ↘ D U UR DR DL UL
		050 - 50 watts lead acid 072 - 72 watts lead acid	1 - Single face					
	1 - 12V	036 - 36 watts Ni-Cd	1 - Single face 2 - Double face					

* Available only with 36W and 120/277VAC.

** Available only with 36W.

MODEL RATINGS

Model	Voltage	Wattage capacities			
		30 min.	60 min.	90 min.	120 min.
PRMRN6036	6V	36	18	12	9
PRMRN6050	6V	50	25	16.5	12.5
PRMRN6072	6V	72	36	24	18
PRMRN1036	12V	36	18	12	9

LAMP SELECTION

MR16 Small head c/w MR16 or LED lamp		
	6 volts	12 volts
LED	4WLR, 5WLA	4WLR, 5WLA, 6WLA, 7WLA
Quartz halogen	08Q, 10Q	08Q, 10Q, 12Q

Comments

All products are subject to change or may be discontinued any time without notice.