



SINGLE GANG DEVICE BOXES

APPLICATION

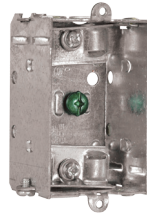
Device boxes are used to house wiring devices such as switches or receptacles.

PRODUCT FEATURES

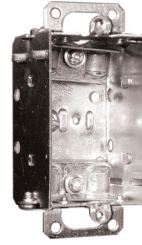
- Gangable device boxes offer the option of constructing a box to hold two or more devices
- Plaster ears allow box to be used in "rework" applications
- Rugged metallic construction



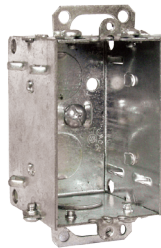
1100-LUBAR



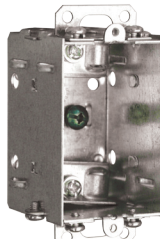
1100-LLEUBAR



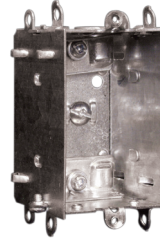
1100-LREU



1102BAR



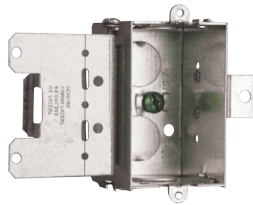
1102-LUBAR



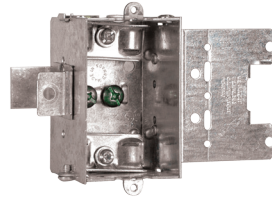
1102-LHUBAR



1102-LREU



1102-MSB



1102-MSBU



1102-SB

CATALOGUE NUMBER	CAPACITY (CU. IN.)	BRACKET	EARS	KNOCKOUTS	CABLE CLAMPS
2" x 3" Device Box - 1-1/2" Deep - Gangable					
1100-LUBAR	8.0	-	Flush	-	U
1100-LLEUBAR	8.0	-	-	-	U
1100-LREU	8.0	-	Recessed	-	U
2" x 3" Device Box - 2" Deep - Gangable					
1102BAR	10.0	-	Recessed	1/2" (4)	U
1102-LUBAR	10.0	-	Flush	-	U
1102-LHUBAR	10.0	-	-	-	U
1102-LREU	10.0	-	Recessed	-	U
1102-MSB	10.0	MSBS	-	1/2" (4)	-
1102-MSBU	10.0	MSBS	-	-	U
1102-SB	10.0	SB	-	1/2" (4)	-

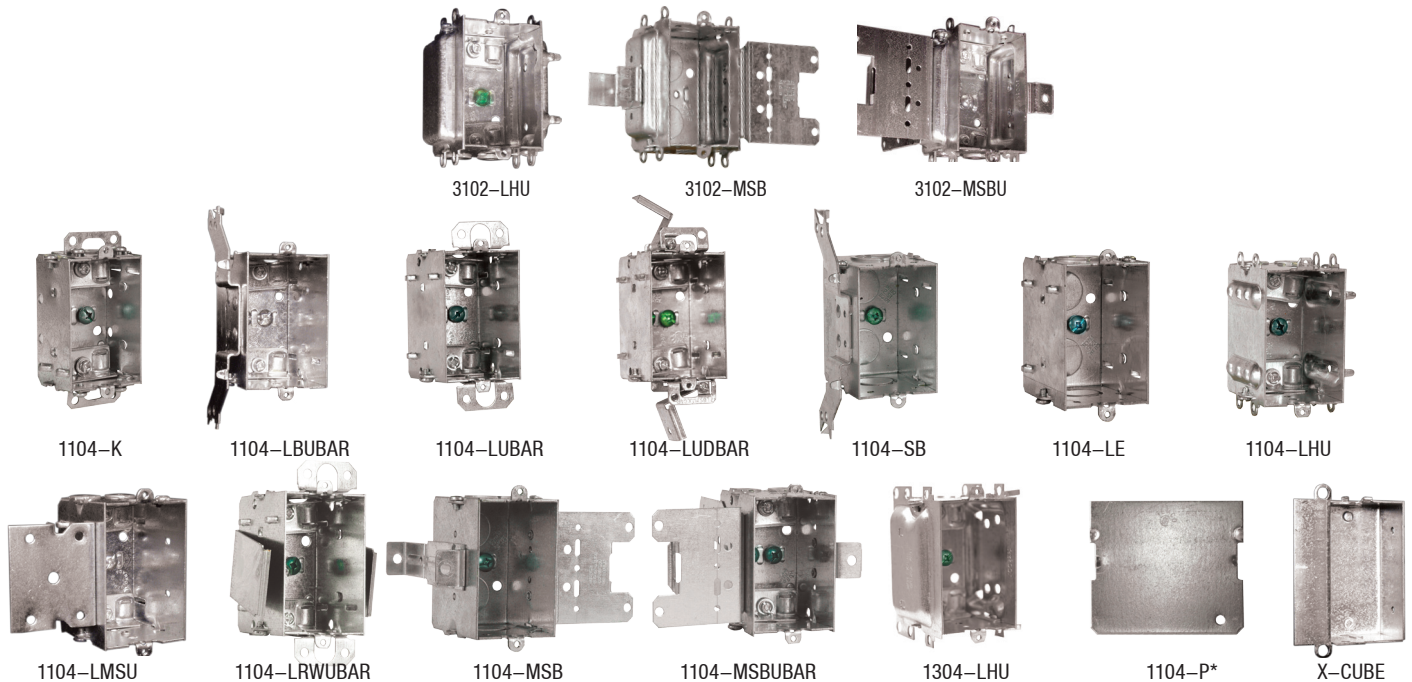


APPLICATION

Device boxes are used to house wiring devices such as switches or receptacles.

PRODUCT FEATURES

- Gangable device boxes offer the option of constructing a box to hold two or more devices
- Plaster ears allow box to be used in "rework" applications
- Rugged metallic construction



CATALOGUE NUMBER	CAPACITY (CU. IN.)	BRACKET	EARS	KNOCKOUTS	CABLE CLAMPS
2" x 3" Device Box - 2" Deep - Gangable					
3102-LHU	12.0	-	-	-	U
3102-MSB	12.0	MSBS	-	1/2" (4)	-
3102-MSBU	12.0	MSBS	-	-	U
2" x 3" Device Box - 2-1/2" Deep - Gangable					
1104-K	12.5	-	Recessed	K(2), 1/2"(2)	-
1104-LBUBAR	12.5	-	-	-	U
1104-LUBAR	12.5	-	Flush	-	U
1104-LUDBAR	12.5	Rework	Flush	-	U
1104-SB	12.5	SB	-	K(2), 1/2"(2)	-
1104-LE	12.5	-	-	K(2), 1/2"(2)	-
1104-LHU	12.5	-	-	-	U
1104-LMSU	12.5	MS	-	-	U
1104-LRWUBAR	12.5	RW	Flush	-	U
1104-MSB	12.5	MSB	-	K(2), 1/2"(2)	-
1104-MSBUBAR	12.5	MSB	-	-	U
1304-LHU	14.5	-	-	-	U
1104-P*	Partition - For use with 1104 series & 2104, 2, 3, 4-gang metal boxes				
X-CUBE	Adds 5.5 Cu. In. For use with 1104 series metal boxes				

*Once installed, the box meets Canadian Electrical Code requirements, allowing the installation of devices connected to different power sources WITHIN THE SAME BOX



SINGLE GANG DEVICE BOXES

APPLICATION

Device boxes are used to house wiring devices such as switches or receptacles.

PRODUCT FEATURES

- Plaster ears allow box to be used in "rework" applications
- Rugged metallic construction



2104-LU



2104-LLEUBAR



2104-LNU



2104-MSBU



EZ-101BAR



KIT-201



2304-LLEU



1504-LLEUBAR



1504-MSBUBAR



1804-LHU



3104-LHU



3104-MSB



3104-MSBU

CATALOGUE NUMBER	CAPACITY (CU. IN.)	BRACKET	EARS	KNOCKOUTS	CABLE CLAMPS
2" x3" Device Box - 2-1/2" Deep					
2104-LU	12.5	-	Flush	-	U
2104-LLEUBAR	12.5	-	-	-	U
2104-LNU	12.5	-	-	-	U
2104-MSBU	12.5	MSB	-	-	U
EZ-101BAR	12.5	-	Flush	1/2" (1)	U
KIT-201	12.5	Contains: One 2104LU & One pair of 820-D F-brackets			
2304-LLEU	14.5	-	-	-	U
1504-LLEUBAR	15.0	-	-	-	U
1504-MSBUBAR	15.0	MSB	-	-	U
1804-LHU	16.0	-	-	-	U
3104-LHU	16.0	-	-	-	U
3104-MSB	16.0	MSB	-	K(2), 1/2"(2)	-
3104-MSB-1*	16.0	MSB	-	K(2), 1/2"(2)	-
3104-MSBU	16.0	MSB	-	-	U
3104-MSBU-1*	16.0	MSB	-	-	U

* Brackets set back for two layers of 1/2" drywall



APPLICATION

Device boxes are used to house wiring devices such as switches or receptacles.

PRODUCT FEATURES

- Gangable device boxes offer the option of constructing a box to hold two or more devices
- Plaster ears allow box to be used in "rework" applications
- Rugged metallic construction



1004-H



1004-LUBAR



1004-LBU



1004-LHU



3004-LHU



3004-MSB



3004-MSB-1*



3004-MSBU



3004-MSBU-1*

CATALOGUE NUMBER	CAPACITY (CU. IN.)	BRACKET	EARS	KNOCKOUTS	CABLE CLAMPS
2" x 3" Device Box - 3" Deep - Gangable					
1004-H	15.0	-	Recessed	1/2"(4)	-
1004-LUBAR	15.0	-	Flush	-	U
1004-LBU	15.0	B	-	-	U
1004-LHU	15.0	-	-	-	U
3004-LHU	18.0	-	-	-	U
3004-MSB	18.0	MSB	-	1/2"(4)	-
3004-MSB-1*	18.0	MSB	-	1/2"(4)	-
3004-MSBU	18.0	MSB	-	-	U
3004-MSBU-1*	18.0	MSB	-	-	U

* Brackets set back for two layers of 1/2" drywall



MULTI-GANG DEVICE BOXES

APPLICATION

Device boxes are used to house wiring devices such as switches or receptacles.

PRODUCT FEATURES

- Plaster ears allow box to be used in "rework" applications
- Rugged metallic construction



2104-LU-2



2104-LLEU-2



2104-MSBU-2



2304-LLEU-2



4204-MSB



4204-MSBU



2104-LLEU-3BAR



2104-MSBU-3



2304-LLEU-3



2104-LLEU-4BAR



2104-MSBU-4



2304-LLEU-4



1104-P*

CATALOGUE NUMBER	CAPACITY (CU. IN.)	BRACKET	EARS	KNOCKOUTS	CABLE CLAMPS
2" x 3" Device Box - 2-1/2" Deep - 2-gang					
2104-LU-2	12.5	-	Flush	-	U
2104-LLEU-2	25.0	-	-	-	U
2104-MSBU-2	25.0	MSB	-	-	U
2304-LLEU-2	29.0	-	-	-	U
2" x 3" Device Box - 2-1/2" Deep - 2-gang (Power/Communication)					
4204-MSB	12.5	MSB	-	K(4), 1/2"(4)	-
4204-MSBU	12.5	MSB	-	K(2), 1/2"(2)	U
2" x 3" Device Box - 2-1/2" Deep - 3-gang					
2104-LLEU-3BAR	37.5	-	-	-	U
2104-MSBU-3	37.5	MSB	-	-	U
2304-LLEU-3	43.5	-	-	-	U
2" x 3" Device Box - 2-1/2" Deep - 4-gang					
2104-LLEU-4BAR	50.0	-	-	-	U
2104-MSBU-4	50.0	MSB	-	-	U
2304-LLEU-4	58.0	-	-	-	U
1104-P*	Partition - For use with 1104 series & 2104, 2, 3, 4-gang metal boxes				

*Once installed, the box meets Canadian Electrical Code requirements, allowing the installation of devices connected to different power sources within the same box



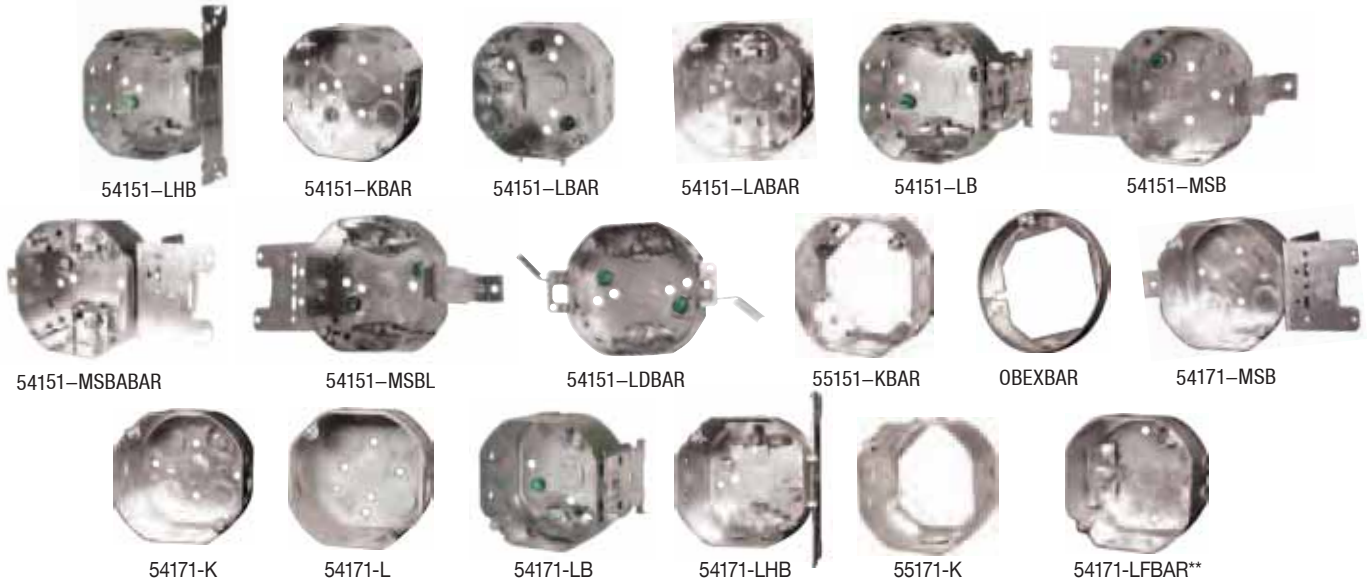
4" OCTAGON BOXES

APPLICATION

Octagon boxes can be used in the installation of ceiling or wall lighting fixtures. Extension rings provide a means for adding additional cubic capacity.

PRODUCT FEATURES

- Combination screw heads provide for faster installation
- Self-tapping screws virtually eliminate stripping
- Rugged metallic construction



CATALOGUE NUMBER	CAPACITY (CU. IN.)	BRACKET	RAISED GROUND SCREW	KNOCKOUTS	CABLE CLAMPS
4" Octagon Box - 1-1/2" Deep					
54151-LHB	15.0	SB	no	1/2"(2)	L
54151-KBAR	15.0	-	yes	K(6), 1/2"(2)	-
54151-LBAR	15.0	-	no	1/2"(3)	L
54151-LABAR	15.0	-	no	1/2"(3)	A
54151-LB	15.0	B	no	1/2"(2)	L
54151-MSB	15.0	MSB	yes	K(4), 1/2"(2)	-
54151-MSBABAR	15.0	MSB	no	1/2"(1)	A
54151-MSBL	15.0	MSB	no	1/2"(1)	L
54151-LDBAR	15.0	Rework	no	-	-
55151-KBAR	15.0	Ext. Ring	-	K(4)	-
OBEXBAR	5.0	Ext. Ring	-	-	-
4" Octagon Box - 2-1/8" Deep					
54171-MSB	21.0	MSB	yes	K(4), 1/2"(4)	-
54171-MSB-1*	21.0	MSB	yes	K(4), 1/2"(4)	-
54171-K	21.0	-	yes	K(4), 1/2"(4)	-
54171-L	21.0	-	no	1/2"(3)	L
54171-LB	21.0	B	no	1/2"(2)	L
54171-LHB	21.0	SB	no	1/2"(2)	L
55171-K	21.0	Ext. Ring 21.0	-	K(2), 1/2"(2)	-
4" Ceiling Fan - 2-1/8" Deep - Max Load Capacity: 35 lb (15.6 kg)					
54171-LFBAR**	21.0	-	no	1/2"(3)	L

* Brackets set back for two layers of 1/2" drywall

** supplied with two No. 10-32 machine screws and washers



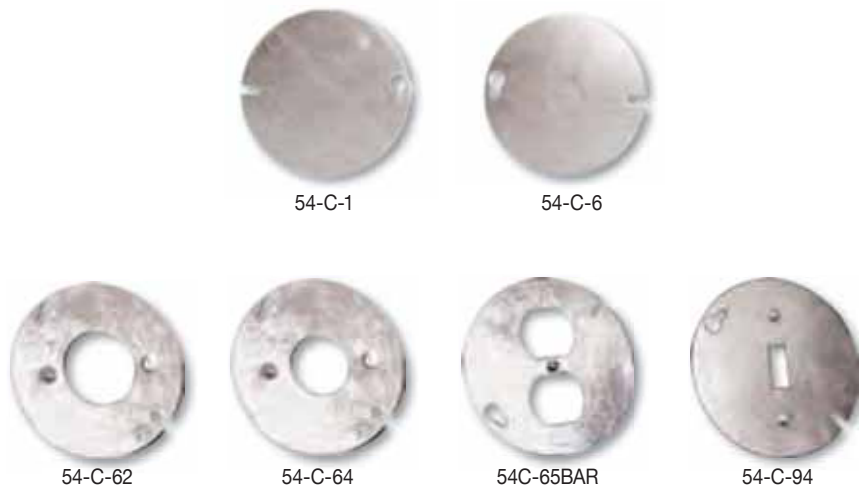
4" OCTAGON BOX COVERS

APPLICATION

Covers are used to close an outlet box. Switches or receptacles may be installed into octagon boxes by using covers 54-C-62, 54-C-64, 54-C-65 or 54-C-94.

PRODUCT FEATURES

- Rugged metallic construction



CATALOGUE NUMBER	DESCRIPTION	OPENING	KNOCKOUTS
4" Round Covers			
54-C-1	Flat Cover	Blank	-
54-C-6	Flat Cover	-	1/2"(1)
54-C-62	Flat Cover	1.62" Receptacle	-
54-C-64	Flat Cover	1.40" Receptacle	-
54C-65BAR	Flat Cover	Duplex Receptacle	-
54-C-94	Flat Cover	Toggle Switch	-



4" SQUARE BOXES

APPLICATION

Boxes are installed in ceiling or wall junctions. Square boxes are used where multiple conductor runs are split into two or more directions to bring power to a number of electrical devices.

PRODUCT FEATURES

- Self-tapping screws virtually eliminate stripping
- Rugged metallic construction



52151-KBAR



52151-KSB



52151-MSB



52151-MSBS



53151-K



52171-1



52171-KBAR



52171-KSB



52171-MSB



521711-MSB



53171-K

CATALOGUE NUMBER	CAPACITY (CU. IN)	BRACKET	RAISED GROUND SCREW	KNOCKOUTS
4" x 4" Square Boxes - 1-1/2" Deep				
52151-KBAR	21.0	-	yes (2)	K(6), 1/2"(6), 3/4"(2)
52151-KSB	21.0	SB	yes (2)	K(4), 1/2"(6), 3/4"(2)
52151-MSB	21.0	MSB	yes (2)	K(2), 1/2"(6), 3/4"(2)
52151-MSBS	21.0	MSBS	yes (2)	K(2), 1/2"(6), 3/4"(2)
53151-K	21.0	Ext. Ring	yes (2)	K(6), 1/2"(4)
4" x 4" Square Boxes - 2-1/8" Deep				
52171-1	30.0	-	yes (2)	1/2"(2), 3/4"(2), 1"(4)
52171-KBAR	30.0	-	yes (2)	K(6), 1/2"(6), 3/4"(2)
52171-KSB	30.0	SB	yes (2)	K(4), 1/2"(6), 3/4"(2)
52171-MSB	30.0	MSB	yes (2)	K(2), 1/2"(6), 3/4"(2)
521711-MSB	30.0	MSB	yes (2)	K(3), 1/2"(2), 1"(2)
53171-K	30.0	Ext. Ring	yes (2)	K(6), 1/2"(4)



4" SQUARE COVERS

APPLICATION

Covers are used to close an outlet box. Raised device covers are used for mounting switches or receptacles.

PRODUCT FEATURES

- Self-tapping screws virtually eliminate stripping
- Rugged metallic construction
- 52 series boxes are designed for use with 52 series boxes.



CATALOGUE NUMBER	DESCRIPTION	CAPACITY (CU. IN.)	OPENING	KNOCKOUTS
4" x 4" Square Covers				
52-C-0	flat	-	one device	-
52-C-00BAR	flat	-	two devices	-
52-C-1	flat	-	blank	-
52-C-6BAR	flat	-	-	1/2" (1)
52-C-3	raised 1/2"	3.7	one device	-
52-C-10	raised 3/16"	1.2	one device	-
52-C-13	raised 1/2"	3.5	one device	-
52-C-14	raised 3/4"	5.1	one device	-
52-C-14-5/8	raised 5/8"	4.3	one device	-
52-C-15	raised 7/8"	6.1	one device	-
52-C-16	raised 1-1/4"	8.5	one device	-
52-C-17	raised 1/2"	6.3	two devices	-
52-C-18	raised 3/4"	9.7	two devices	-
52-C-18-5/8	raised 5/8"	7.8	two devices	-
52-C-6214	raised 5/8"	7.8	one device	-



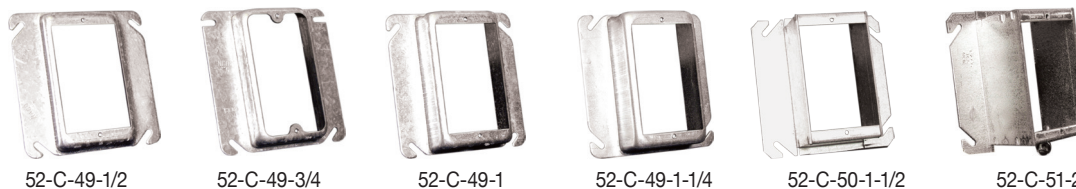


APPLICATION

Covers are used to close an outlet box. Raised device covers are used for mounting switches or receptacles.

PRODUCT FEATURES

- Self-tapping screws virtually eliminate stripping
- Rugged metallic construction
- 52 series boxes are designed for use with 52 series boxes.



52-C-49-1/2

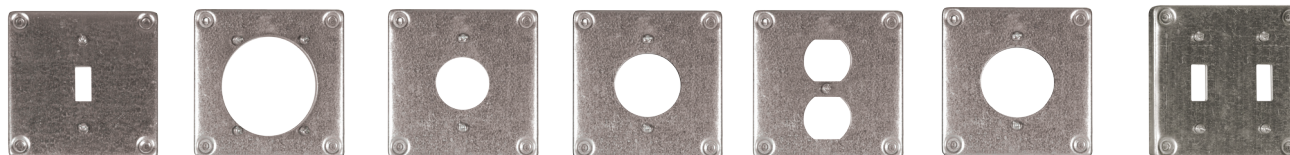
52-C-49-3/4

52-C-49-1

52-C-49-1-1/4

52-C-50-1-1/2

52-C-51-2



8361

8362

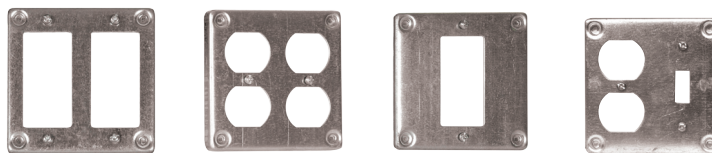
8363

8364

8365

8366

8367



8368

8371

8372

8375

CATALOGUE NUMBER	DESCRIPTION	CAPACITY (CU. IN.)	OPENING	KNOCKOUTS
4" x 4" Square Tile Covers				
52-C-49-1/2	tile cover 1/2"	3.4	one device	-
52-C-49-3/4	tile cover 3/4"	5.3	one device	-
52-C-49-1	tile cover 1"	6.8	one device	-
52-C-49-1-1/4	tile cover 1-1/4"	8.6	one device	-
52-C-50-1-1/2	tile cover 1-1/2"	10.0	one device	-
52-C-51-2	tile cover 2"	14.0	one device	-
52-C-52-1/2	raised cover 1/2"	5.5	two device	-
52-C-52-5/8	raised cover 5/8"	7.3	two device	-
52-C-52-3/4	raised cover 3/4"	8.8	two device	-
52-C-52-1	raised cover 1"	12.0	two device	-
52-C-52-1-1/4	raised cover 1-1/4"	15.0	two device	-
52-C-53-1-1/2	raised cover 1-1/2"	15.5	two device	-
52-C-54-2	raised cover 2"	20.5	two device	-
4" x 4" Square Surface Covers				
8361	surface cover 3/8"	4.6	toggle switch	-
8362	surface cover 3/8"	4.6	2.625" receptacle	-
8363	surface cover 3/8"	4.6	1.40" receptacle	-
8364	surface cover 3/8"	4.6	1.625" receptacle	-
8365	surface cover 3/8"	4.6	duplex receptacle	-
8366	surface cover 3/8"	4.6	2.156" receptacle	-
8367	surface cover 3/8"	4.6	2 toggle switches	-
8368	surface cover 3/8"	4.6	2 GFCI/Styleline	-
8371	surface cover 3/8"	4.6	2 duplex receptacles	-
8372	surface cover 3/8"	4.6	1 GFCI	-
8375	surface cover 3/8"	4.6	1 toggle, 1 duplex	-



4 11/16" SQUARE BOXES

APPLICATION

Boxes are installed in ceiling or wall junctions or stove & dryer receptacles. Square boxes are used where multiple conductor runs are split into two or more directions to bring power to a number of electrical devices.

PRODUCT FEATURES

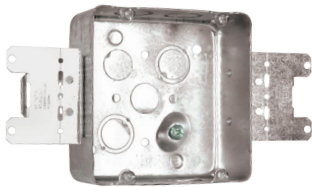
- Self-tapping screws virtually eliminate stripping
- Rugged metallic construction



72151-K



73151-KBAR



72171-MSB



72171-KBAR



72171-KSB



72171-1



73171-KBAR

CATALOGUE NUMBER	CAPACITY (CU. IN)	BRACKET	RAISED GROUND SCREW	KNOCKOUTS
4-11/16" Square Boxes - 1-1/2" Deep				
72151-K	30.0	-	yes	K(6), 1/2"(6), 3/4"(2)
73151-KBAR	42.0	Ext. Ring	-	K(6), 1/2"(4)
4-11/16" Square Boxes - 1-1/8" Deep				
72171-MSB	42.0	MSB	yes	1/2"(6), 3/4"(2), K(2)
72171-KBAR	42.0	-	yes	K(6), 1/2"(6), 3/4"(2)
72171-KSB	42.0	SB	yes	K(4), 1/2"(6), 3/4"(2)
72171-1	42.0	-	yes	1/2"(2), 3/4"(2), 1"(8)
73171-KBAR	42.0	Ext. Ring	-	K(6), 1/2"(4)



4-11/16" SQUARE COVERS

APPLICATION

Covers are used to close an outlet box. Raised device covers are used for mounting switches or receptacles.

PRODUCT FEATURES

- Rugged metallic construction
- 72 series covers are designed for use with 72 series boxes



72-C-1



72-C-6-K



72-C-10



72-C-13



72-C-14



72-C-15



72-C-17



72-C-18

CATALOGUE NUMBER	DESCRIPTION	CAPACITY (CU. IN.)	OPENING	KNOCKOUTS
4-11/16" Covers				
72-C-1	flat	-	blank	-
72-C-6-K	flat	-	concentric knockout	K(1)
72-C-10	raised cover 3/16"	1.2	one device	-
72-C-13	raised cover 1/2"	3.5	one device	-
72-C-14	raised cover 3/4"	5.1	one device	-
72-C-15	raised cover 7/8"	6.1	one device	-
72-C-17	raised cover 1/2"	6.3	two device	-
72-C-18	raised cover 3/4"	9.7	two device	-



APPLICATION

Utility boxes are used for convenience outlets, switch boxes or small junction boxes. They are popular for exposed work applications (surface mounted wiring).

PRODUCT FEATURES

- Raised ground screw provides easier access and prevents the ground screw from protruding beyond the bottom of the box when tightened
- Covers are designed to match the contours of the box
- Cover corners are rounded
- All covers have captive screws
- Self-tapping ground screws which virtually eliminate stripping
- Mounting screws are included with covers



CATALOGUE NUMBER	CAPACITY (CU. IN.)	BRACKET	RAISED GROUND SCREW	KNOCKOUTS
2-1/8" x 4" Utility Boxes - 1-1/2" Deep				
2018	11.5	-	yes	1/2"(10)
2018-SB	11.5	SB	yes	1/2"(7)
2-1/8" x 4" Utility Boxes - 1-7/8" Deep				
2020-BAR	14.0	-	yes	1/2"(10)
2020-RBAR	14.0	Ext. Ring	-	1/2"(8)
2020-SB	14.0	SB	yes	1/2"(7)

APPLICATION

Utility box covers are used to close a utility box. Covers may also be used as single-gang wall plates.

PRODUCT FEATURES

- Covers are designed to match the contours of the box.
- All covers have captive screws.
- Self-tapping ground screws which virtually eliminate stripping.
- Mounting screws are included with covers.



CATALOGUE NUMBER	DESCRIPTION
4" x 2-1/8" Utility Box Covers	
20-C-1	duplex receptacle
20-C-3	1.40" receptacle
20-C-4BAR	blank
20-C-5	toggle switch



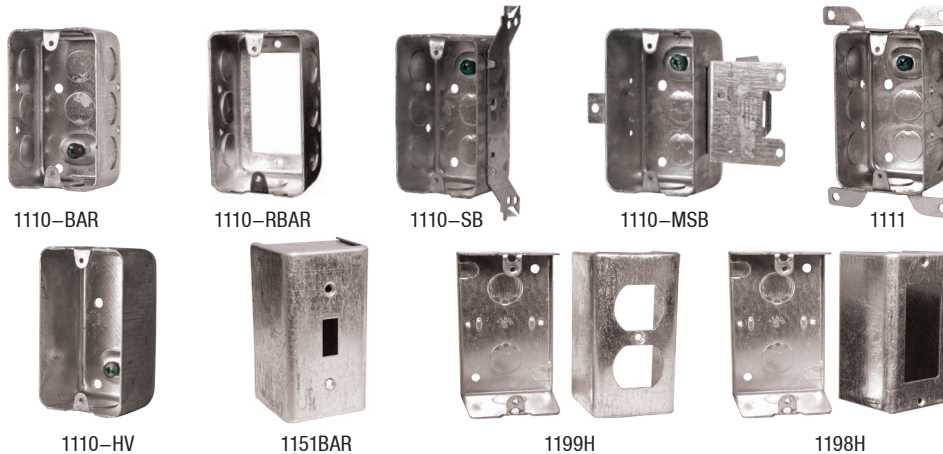


APPLICATION

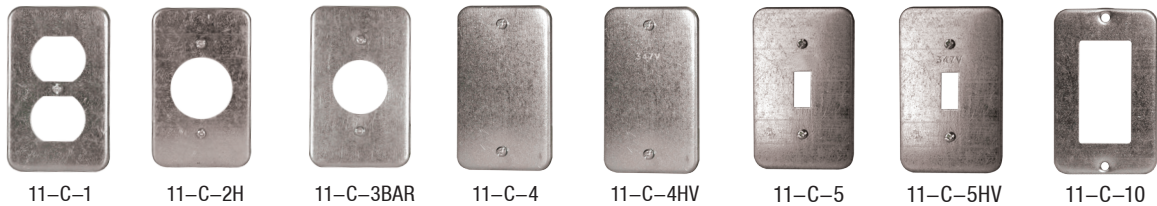
Utility boxes are used for convenience outlets, switch boxes or small junction boxes. They are popular for exposed work applications (surface mounted wiring).

PRODUCT FEATURES

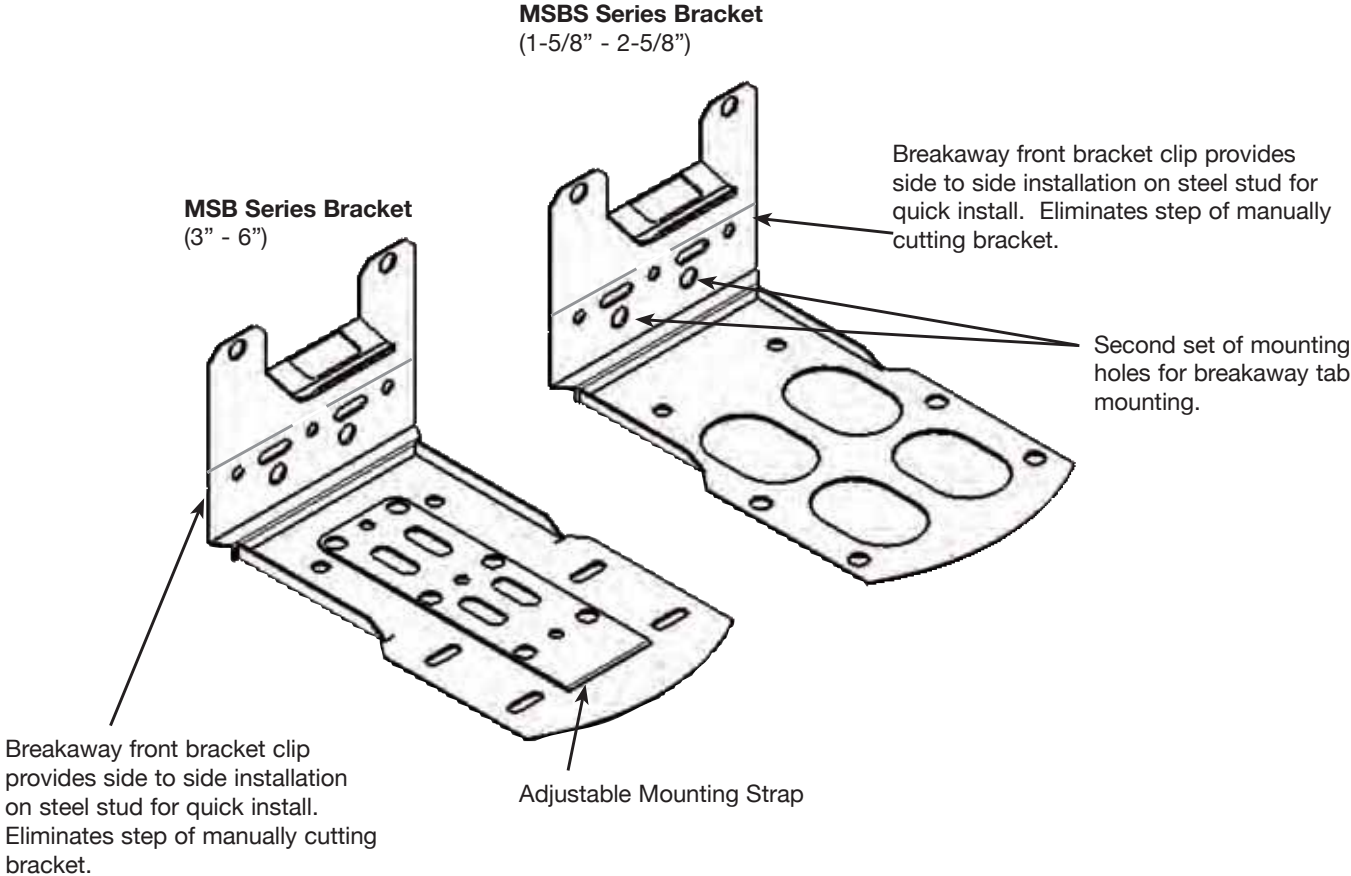
- Raised ground screw provides easier access and prevents the ground screw from protruding beyond the bottom of the box when tightened
- Covers are designed to match the contours of the box
- Cover corners are rounded
- All covers have captive screws
- Self-tapping ground screws which virtually eliminate stripping
- Mounting screws are included with covers



CATALOGUE NUMBER	CAPACITY (CU. IN.)	BRACKET	RAISED GROUND SCREW	KNOCKOUTS
2-1/2" x 4" Utility Boxes - 1-7/8" Deep				
1110-BAR	16.5	-	yes	1/2"(10)
1110-RBAR	16.5	Ext. Ring	yes	1/2"(8)
1110-SB	16.5	SB	-	1/2"(7)
1110-MSB	16.5	MSB	yes	1/2"(4)
1111	16.5	-	yes	1/2"(10)
2-1/2" x 4" High Voltage (347V) Utility Boxes - 1-7/8" Deep				
1110-HV	16.0	-	yes	1/2"(10)
2-1/2" x 4" Utility Boxes - 2-1/8" Deep				
1151BAR	18.5	-	no	1/2"(4)
1199H	18.5	-	no	1/2"(4)
1198H	18.5	-	no	1/2"(4)



CATALOGUE NUMBER	DESCRIPTION
4" x 2-1/2" Utility Box Covers	
11-C-1	duplex receptacle
11-C-2H	1.625" receptacle
11-C-3BAR	1.40" receptacle
11-C-4	blank
11-C-4HV	blank (347V)
11-C-5	toggle switch
11-C-5HV	toggle switch (347V)
11-C-10	GFCI



ADJUSTABLE MOUNTING STRAP

tradeSELECT steel stud boxes feature a unique adjustable mounting strap and clip-on tab that makes it easier than ever to position and hold boxes in place.

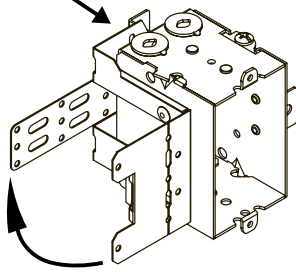
tradeSELECT boxes are simply the fastest and easiest boxes to install on any size steel stud.



STEEL STUD BOX INSTALLATION

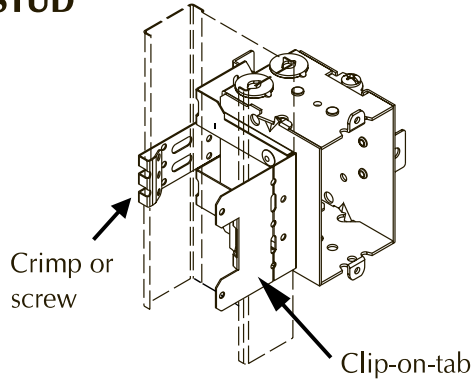
- Bend out adjustable mounting strap at fold marks for either 3", 4" or 6" stud size.
- Position and attach the box on stud by pressing the clip-on tab to hold box in place.
- Use pliers for crimping or screw gun to fasten or screw box to stud for final installation.

3" Fold Position



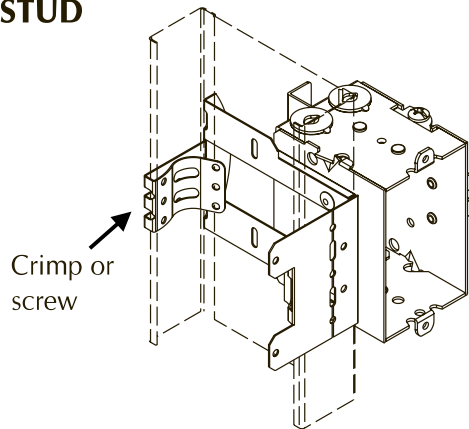
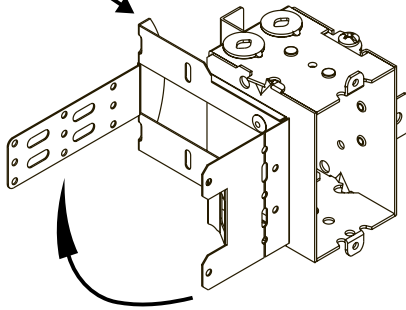
Adjustable mounting strap

3" STUD



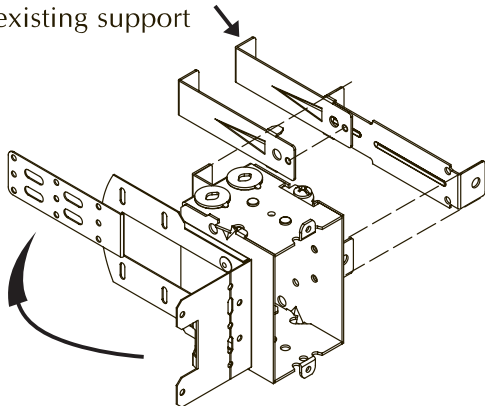
4" STUD

4" Fold Position



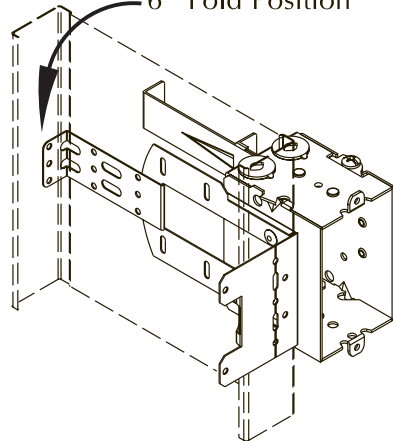
6" STUD

Add our extension foot #7902 to existing support

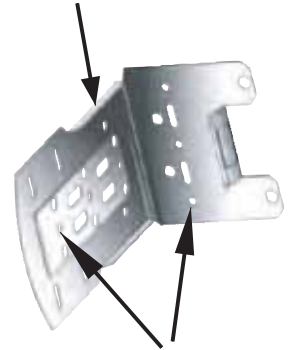


Open at 180°

6" Fold Position



- Upturned edge provides more rigid installation to steel stud.



- Series of smaller mounting holes allow more choices in fastening box to the steel stud.



STEEL STUD DEVICE BOXES

APPLICATION

Steel stud boxes are used in Commercial, Residential and Industrial construction.

PRODUCT FEATURES

- Unique adjustable mounting strap and patented clip-on tab allow for easy positioning
- Gangable device boxes offer the option of constructing a box to hold two or more devices
- Rugged metallic construction



1102-MSB



1102-MSBU



3102-MSB



3102-MSBU



1104-MSB



1104-MSBUBAR



4204-MSB



4204-MSBU



1504-MSBUBAR



1204-MSB-HV



1104-P*



7902**

CATALOGUE NUMBER	CAPACITY (CU. IN.)	BRACKET	STUD SIZES	KNOCKOUTS	CABLE CLAMPS
2" x 3" Device Box - 2" Deep - Gangable					
1102-MSB	10.0	MSBS	1-5/8", 2-3/8"	1/2"(4)	-
1102-MSBU	10.0	MSBS	1-5/8", 2-3/8"	-	U
3102-MSB	12.0	MSBS	1-5/8", 2-3/8"	1/2"(4)	-
3102-MSBU	12.0	MSBS	1-5/8", 2-3/8"	-	U
2" x 3" Device Box - 2-1/2" Deep - Gangable					
1104-MSB	12.5	MSB	2-3/8", 3-5/8"	K(2), 1/2"(2)	-
1104-MSBUBAR	12.5	MSB	2-3/8", 3-5/8"	-	U
2" x 3" Device Box - 2-1/2" Deep Power /Communication Box - Gangable					
4204-MSB	12.5	MSB	2-3/8", 3-5/8"	K(4), 1/2"(4)	-
4204-MSBU	12.5	MSB	2-3/8", 3-5/8"	K(2), 1/2"(2)	U
2-1/4" x 3" Device Box - 2-1/2" Deep - Gangable					
1504-MSBUBAR	15.0	MSB	2-3/8", 3-5/8"	-	U
2-1/4" x 3" Device Box - 2-1/2" Deep 347V Box - Gangable					
1204-MSB-HV	15.7	MSB	2-3/8", 3-5/8"	1/2"(2)	-
1104-P*	Partition - For use with 1104 series & 2104, 2, 3, 4-gang metal boxes				
7902**	Foot Extender				

*Once installed, the box meets Canadian Electrical Code requirements, allowing the installation of devices connected to different power sources within the same box

** Steel stud foot extender. Use with existing MSB foot to facilitate 6" steel stud installation



APPLICATION

Steel stud boxes are used in Commercial, Residential and Industrial construction.

PRODUCT FEATURES

- Raised ground screw provides easier access and prevents the ground screw from protruding beyond the bottom of the box when tightened.
- Rugged metallic construction



3104-MSB



3104-MSBU



3004-MSB



3004-MSBU



1104-P*



7902***

CATALOGUE NUMBER	CAPACITY (CU. IN.)	BRACKET	STUD SIZES	KNOCKOUTS	CABLE CLAMPS
2" x 3" Device Box - 2-1/2" Deep - Gangable					
3104-MSB	16.0	MSB	2-3/8", 3-5/8"	K(2), 1/2"(2)	-
3104-MSB-1*	16.0	MSB	2-3/8", 3-5/8"	K(2), 1/2"(2)	-
3104-MSBU	16.0	MSB	2-3/8", 3-5/8"	-	U
3104-MSBU-1*	16.0	MSB	2-3/8", 3-5/8"	-	U
2" x 3" Device Box - 3" Deep - Gangable					
3004-MSB	18.0	MSB	2-3/8", 3-5/8"	1/2"(4)	-
3004-MSBU	18.0	MSB	2-3/8", 3-5/8"	-	U
3004-MSBU-1*	18.0	MSB	2-3/8", 3-5/8"	-	U
1104-P**	Partition - For use with 1104 series & 2104, 2, 3, 4-gang metal boxes				
7902***	Foot Extender				

* Brackets set back for two layers of 1/2" drywall

** Once installed, the box meets Canadian Electrical Code requirements, allowing the installation of devices connected to different power sources within the same box

*** Steel stud foot extender. Use with existing MSB foot to facilitate 6" steel stud installation



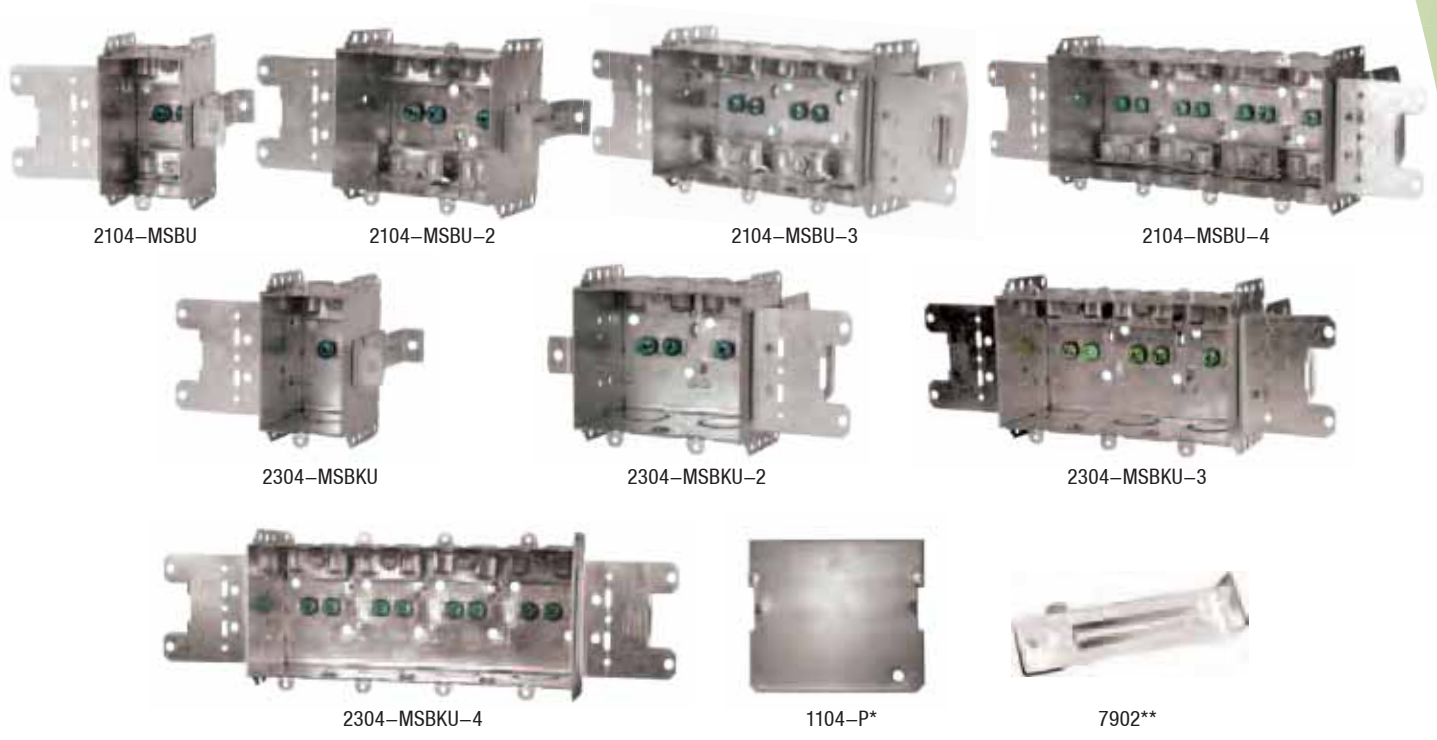
STEEL STUD DEVICE BOXES

APPLICATION

Steel stud boxes are used in Commercial, Residential and Industrial construction.

PRODUCT FEATURES

- Unique adjustable mounting strap and patented clip-on tab allow for easy positioning
- Rugged metallic construction



CATALOGUE NUMBER	CAPACITY (CU. IN.)	BRACKET	STUD SIZES	KNOCKOUTS	CABLE CLAMPS
2" x 3" Device Box - 2-1/2" Deep					
2104-MSBU	12.5	MSB	2-3/8", 3-5/8"	-	U
2104-MSBU-2	25.0	MSB	2-3/8", 3-5/8"	-	U
2104-MSBU-3	37.5	MSB	2-3/8", 3-5/8"	-	U
2104-MSBU-4	50.0	MSB	2-3/8", 3-5/8"	-	U
2" x 3" Device Box - 2-1/2" Deep - Combination Box					
2304-MSBKU	14.5	MSB	2-3/8", 3-5/8"	K(1)	U
2304-MSBKU-2	29.0	MSB	2-3/8", 3-5/8"	K(2)	U
2304-MSBKU-3	43.5	MSB	2-3/8", 3-5/8"	K(3)	U
2304-MSBKU-4	58.0	MSB	2-3/8", 3-5/8"	K(4)	U
1104-P*	Partition - For use with 1104 series & 2104, 2, 3, 4-gang metal boxes				
7902**	Foot Extender				

* Once installed, the box meets Canadian Electrical Code requirements, allowing the installation of devices connected to different power sources within the same box
 ** Steel stud foot extender. Use with existing MSB foot to facilitate 6" steel stud installation



STEEL STUD 4" OCTAGON BOXES

APPLICATION

Steel stud boxes are used in Commercial, Residential and Industrial construction.

PRODUCT FEATURES

- Unique adjustable mounting strap and patented clip-on tab allow for easy positioning
- Rugged metallic construction



CATALOGUE NUMBER	CAPACITY (CU. IN.)	BRACKET	STUD SIZES	KNOCKOUTS	CABLE CLAMPS
4" Octagon Box - 1-1/2" Deep					
54151-MSB	15.0	MSB	2-3/8, 3-5/8"	K(4), 1/2"(2)	-
54151-MSBABAR	15.0	MSB	2-3/8, 3-5/8"	1/2"(1)	A
54151-MSBL	15.0	MSB	2-3/8, 3-5/8"	1/2"(1)	L
4" Octagon Box - 2-1/8" Deep					
54171-MSB	21.0	MSB	2-3/8, 3-5/8"	K(4), 1/2"(4)	-
54171-MSB-1	21.0	MSB	2-3/8", 3-5/8"	K(4), 1/2"(4)	-
7902**	Foot Extender				

** Steel stud foot extender. Use with existing MSB foot to facilitate 6" steel stud installation.

SQUARE STEEL STUD BOXES



CATALOGUE NUMBER	CAPACITY (CU. IN.)	BRACKET	STUD SIZES	KNOCKOUTS	RAISED GROUND SCREW
4" x 4" Square Boxes - 1-1/2" Deep					
52151-MSB	21.0	MSB	2-3/8, 3-5/8"	K(2), 1/2"(6), 3/4(2)	yes
52151-MSBS	21.0	MSB	2-3/8, 3-5/8"	K(2), 1/2"(6), 3/4(2)	yes
4" x 4" Square Boxes - 2-1/8" Deep					
52171-MSB	30.0	MSB	2-3/8, 3-5/8"	K(2), 1/2"(6), 3/4(2)	yes
521711-MSB	30.0	MSB	2-3/8, 3-5/8"	K(3), 1/2"(2), 1"(2)	yes
4-11/16" Square Boxes - 2-1/8" Deep					
72171-MSB	42.0	MSB	2-3/8, 3-5/8"	K(2), 1/2"(2)	yes
7902**	Foot Extender				

** Steel stud foot extender. Use with existing MSB foot to facilitate 6" steel stud installation.



347V BOXES AND COVERS

APPLICATION

347 Volt boxes are used for the installation of 347 Volt switches for commercial and industrial lighting.

PRODUCT FEATURES

- All 347 Volt boxes have tapped holes with vertical spacing of 3.531" to accommodate 347 Volt switches.
- 1204 series boxes feature 2.25" spacing between gangs. Use tradeSELECT wall plates with HV suffixes.
- HV version of MBD and MBS series boxes feature 1.812" spacing between gangs. Use tradeSELECT wall plates with HVR suffixes.



1204-1-HV



1204-2-HV



1204-MSB-HV



1204-HVP



1110-HV

CATALOGUE NUMBER	CAPACITY (CU. IN.)	BRACKET	EARS	KNOCKOUTS	CABLE CLAMPS
2-1/4" x 3" Device Box - 2-1/2" Deep - Gangable					
1204-1-HV	15.7	-	Recessed	1/2"(2)	-
1204-2-HV	15.7	-	Recessed	1/2"(2)	-
1204-MSB-HV	15.7	MSB	-	1/2"(2)	-
1204-HVP	High Voltage Partition				
2-1/4" x 3" Utility - 1-7/8" Deep					
1110-HV	16.0	-	-	1/2"(2)	-



11-C-4-HV



11-C-5-HV

CATALOGUE NUMBER	DESCRIPTION
2.665" x 4.275" Utility Box Covers	
11-C-4-HV	Blank
11-C-5-HV	Toggle Switch



347 VOLT MASONRY BOXES

APPLICATION

347 Volt boxes are used for the installation of 347 Volt switches for commercial and industrial lighting.

PRODUCT FEATURES

- All 347 Volt boxes have tapped holes with vertical spacing of 3.531" to accommodate 347 Volt switches.
- 1204 series boxes feature 2.25" spacing between gangs. Use tradeSELECT wall plates with HV suffixes.
- HV version of MBD and MBS series boxes feature 1.812" spacing between gangs. Use tradeSELECT wall plates with HVR suffixes.



MBS-1-HV



MBS-2-HV



MBS-3-HV



MBS-4-HV



MBD-1-HV



MBD-2-HV



MBD-3-HV



MBD-4-HV

CATALOGUE NUMBER	CAPACITY (CU. IN.)	DESCRIPTION	KNOCKOUTS
2-1/4" x 4" Masonry Boxes - 2-3/8" Deep			
MBS-1-HV	20.3	1-gang Masonry Box	1/2"(2)
MBS-2-HV	40.5	2-gang Masonry Box	1/2"(4)
MBS-3-HV	60.8	3-gang Masonry Box	1/2"(6)
MBS-4-HV	81.0	4-gang Masonry Box	1/2"(8)
2-1/4" x 4" Masonry Boxes - 3-3/8" Deep			
MBD-1-HV	22.5	1-gang Masonry Box	1/2"(4)
MBD-2-HV	45.0	2-gang Masonry Box	1/2"(8)
MBD-3-HV	67.5	3-gang Masonry Box	1/2"(12)
MBD-4-HV	90.0	4-gang Masonry Box	1/2"(16)



STANDARD MASONRY BOXES

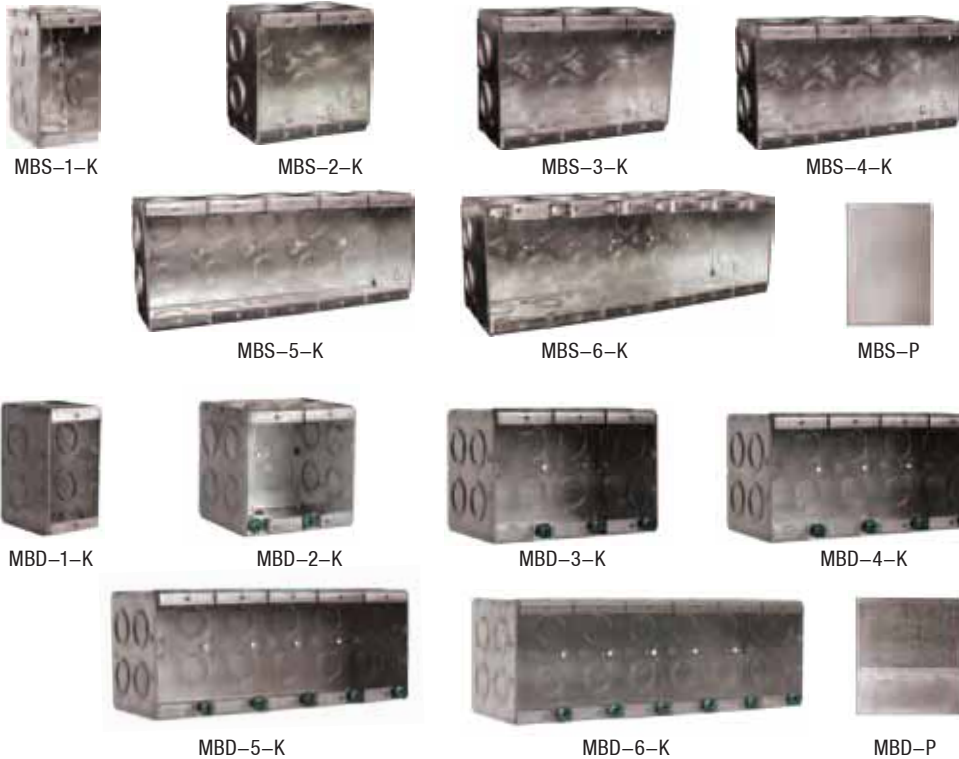
APPLICATION

Masonry boxes are used for the flush installation of devices in masonry construction.

PRODUCT FEATURES

2, 3, and 4-gang masonry boxes allow for the installation of partitions. The following partitions are available:

- Partition MBS-P is designed for use with MBS-2, MBS-3 and MBS-4 boxes.
- Partition MBD-P is designed for use with MBD-2, MBD-3 and MBD-4 boxes.
- Once these partitions are installed, the masonry box meets Canadian Electrical Code requirements specified in clause 12-3034, allowing the installation of devices connected to different power sources within the same box.



CATALOGUE NUMBER	CAPACITY (CU. IN.)	DESCRIPTION	WIDTH	HEIGHT	CONCENTRIC KNOCKOUTS	
					1/2", 3/4", 1"	1/2", 3/4"
Masonry Boxes - 2-1/2" Deep						
MBS-1-K	14.0	1-gang Masonry Box	2"	3-3/4"	1	7
MBS-2-K	28.0	2-gang Masonry Box	3-13/16"	3-3/4"	1	11
MBS-3-K	42.0	3-gang Masonry Box	5-10/16"	3-3/4"	1	15
MBS-4-K	56.0	4-gang Masonry Box	7-7/16"	3-3/4"	1	19
MBS-5-K	70.0	5-gang Masonry Box	9-1/4"	3-3/4"	1	23
MBS-6-K	84.0	6-gang Masonry Box	11-1/16"	3-3/4"	1	27
MBS-P	-	Partition	-	3-3/4"	-	-
Masonry Boxes - 3-1/2" Deep						
MBD-1-K	21.0	1-gang Masonry Box	2"	3-3/4"	1	9
MBD-2-K	42.0	2-gang Masonry Box	3-13/16"	3-3/4"	1	15
MBD-3-K	63.0	3-gang Masonry Box	5-10/16"	3-3/4"	1	21
MBD-4-K	84.0	4-gang Masonry Box	7-7/16"	3-3/4"	1	27
MBD-5-K	105.0	5-gang Masonry Box	9-1/4"	3-3/4"	1	33
MBD-6-K	126.0	6-gang Masonry Box	11-1/16"	3-3/4"	1	39
MBD-P	-	Partition	-	3-3/4"	-	-



APPLICATION

Concrete rings are used with poured deck (floor) in high-rise construction. These boxes are installed on wooden or steel concrete forms. After the forms are removed, the box is flush with the concrete.

PRODUCT FEATURES

- Flat sides provide excellent contact for locknuts
- External ears are used to nail the ring to the wood form
- Ears on inside of box are for fixtures.
- Waxed fixture ears prevent concrete from interfering with the threads
- The top-cover is removable for before-pour work.
- Rugged metallic construction



54521



54531



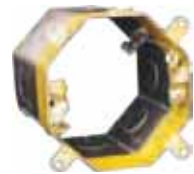
54541



54551



54561



54561-1/2



54571



54581



54591



54560



CBA



53171-ER

CATALOGUE NUMBER	CAPACITY (CU. IN.)	DEPTH	KNOCKOUTS
4" Concrete Rings			
54521	18.0	1-1/2"	1/2"(4), 3/4"(4)
54531	24.0	2"	1/2"(4), 3/4"(4)
54541	30.0	2-1/2"	1/2"(4), 3/4"(4)
54551	36.0	3"	1/2"(4), 3/4"(4)
54561	42.0	3-1/2"	1/2"(4), 3/4"(4)
54561-1/2	42.0	3-1/2"	1/2"(8)
54571	48.0	4"	1/2"(4), 3/4"(2), 1"(2)
54581	60.0	5"	1/2"(4), 3/4"(2), 1"(2)
54591	72.0	6"	1/2"(4), 3/4"(2), 1"(2)
54560	-	Concrete Cover	-
CBA*	-	Adaptor	-
53171-ER	30.0	Ext. Ring - concrete rings only	1/2"(4), K(6)

*CBA Adapter - use for mounting and aligning octagonal extension rings.



PREGANGED BOXES AND COVERS

APPLICATION

Pre-ganged boxes are used for the installation of multiple devices.

PRODUCT FEATURES

- GSB series boxes feature 1.812" spacing between gangs.
- All GBC covers have tapped holes with vertical spacing of 3.281" to accommodate standard devices.
- Rugged metallic construction



GSB-3



GBC-3

CATALOGUE NUMBER	CAPACITY (CU. IN.)	DESCRIPTION	WIDTH	1/2" KNOCKOUTS	USE WITH
Pre-Ganged Boxes - 4" x 2"					
GSB-2	52.0	2-gang Box	7"	16	GBC-2 or 3
GSB-3	66.0	3-gang Box	8-13/16"	18	GBC-3 or 4
GSB-4	80.0	4-gang Box	10-5/8"	24	GBC-4 or 5
GSB-5	93.0	5-gang Box	12-7/8"	26	GBC-5 or 6
GSB-6	107.0	6-gang Box	14-1/4"	28	GBC-6
LVP	-	Partition	-	-	-



APPLICATION

Vapour barriers prevent unwanted penetration of exterior air and help maintain the existing interior environment from elements outside of the structure.

PRODUCT FEATURES

- Made from durable polyethylene material.
- Designed to fit snugly into boxes for easy cable entry and sealing of openings.



CATALOGUE NUMBER	DESCRIPTION
Vapour/Air Barrier - Low Density Polyethelene	
HVB1BAR	For 2" x 3" device boxes
HVB2BAR	For 4" square and 2-gang device boxes
HVB3BAR	For 3-gang device boxes
HVBCBAR	For 4" octagonal boxes
HVBSDBAR	For 4-11/16" boxes

DOOR SWITCHES AND BOXES

CATALOGUE NUMBER	DESCRIPTION	ELECTRICAL RATING	KNOCKOUTS
Door Boxes & Switches - 1-11/32" x 3-11/16" x 1-1/2"			
DS-30	Box, Switch & Plate	3A, 125V AC N/O	1/2"(3)
DS-55	Box, Switch & Plate	3A, 125V AC N/C	1/2"(3)
DS-B0	Box Only	-	1/2"(3)
DS-PL	Plate Only	-	-
S-30	Switch Only	3A, 125V AC N/O	-
S-55	Switch Only	3A, 125V AC N/C	-



BAR HANGERS

APPLICATION

Adjustable bar hanger allows box to be placed between ceiling joists.

PRODUCT FEATURES

- Boxes can be located anywhere along length of the bar



CATALOGUE NUMBER	DESCRIPTION	LOAD CAPACITY
Bar Hangers - For Octagonal & Square Boxes		
1041BAR	Adjustable 11-1/2" to 18-1/2"	50 lbs.
1042BAR	Adjustable 16-1/2" to 26-1/2"	50 lbs up to 22-1/2", 25 lbs. up to 26-1/2"
1050	18" with 1/2 Offset	50 lbs
Bar Hangers - For Device Boxes		
1060	16" Bar grooved for box ears	-

STEEL BOX ACCESSORIES



CATALOGUE NUMBER	DESCRIPTION
Accessories	
66	Protector plate. Meets requirements of CEC rule 12-616.
66SS	Protector plate for steel stud
820D	Device box supports
LRW	Rework bracket, for use with 2" x 3" device boxes with plaster ears
7901RW	Rework bracket, for use with octagonal boxes. Max load 10 lbs.
SBEXBAR	2" x 3" device box extension, adjustable depth up to 7/8"
7902	Steel stud foot extender, adds to MSB foot to facilitate 6" steel stud installation
9008	Low voltage mounting plate



