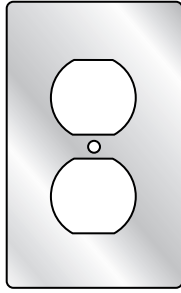
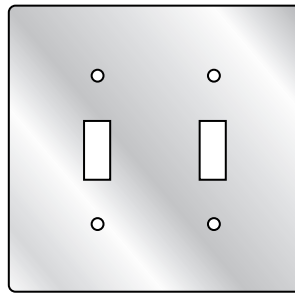


1FB Type



1FA Type

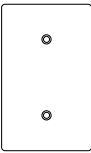
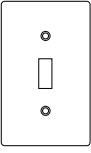
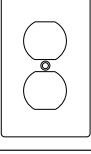
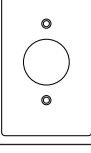
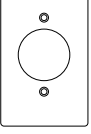


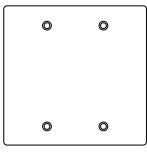
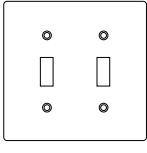
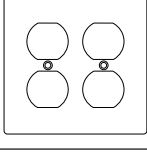
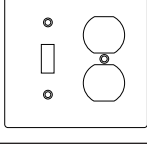
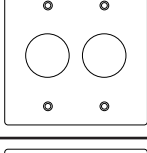
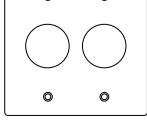
2FT Type

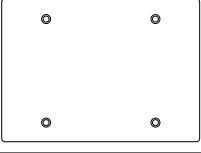
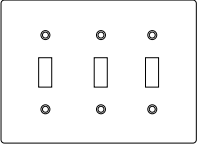
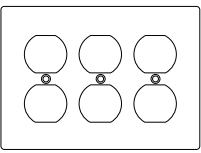
 Listed File No. E 3397
 Certified File No. LR11852

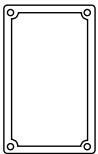
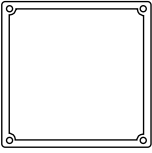
FEATURES-SPECIFICATIONS

- Stamped metallic covers with or without electrostatically applied powder coating
- Gaskets to be ordered separately

SINGLE GANG		
CATALOG NUMBER		
WITH COATING	WITHOUT COATING	
Blank for Single Gang Boxes		
1FBC	1FB	
1 Toggle Switch		
1FTC	1FT	
1 Duplex Receptacle		
1FAC	1FA	
1-13/32" Opening Round Receptacle		
1FRC	1FR	
1-5/8" Opening Round Receptacle		
1FGC	1FG	

TWO GANG		
CATALOG NUMBER		
WITH COATING	WITHOUT COATING	
Blank for Two Gang Boxes		
2FBC	2FB	
2 Toggle Switches		
2FTC	2FT	
2 Duplex Receptacles		
2FAC	2FA	
Toggle Switch & Duplex Receptacle		
2FTAC	2FTA	
1-13/32" Openings 2 Round Receptacles		
2FRC	2FR	
1-5/8" Opening Round 2 Round Receptacles		
2FGC	2FG	

THREE GANG		
CATALOG NUMBER	DESCRIPTION	
3FB	Blank for 3 Gang Boxes	
3FT	3 Toggle Switches	
3FA	3 Duplex Receptacles	

REPLACEMENT GASKETS FOR COVERS (NEOPRENE RUBBER)		
CATALOG NUMBER	DESCRIPTION	
FSRG	Neoprene Gaskets for Single Gang Boxes	
2FSRG	Neoprene Gaskets for 2 Gang Boxes	
3FSRG	Neoprene Gaskets for 3 Gang Boxes	