

# LNC2 SERIES

|       |      |
|-------|------|
| Cat.# |      |
| Job   | Type |



**HUBBELL**  
Outdoor Lighting

Approvals

## SPECIFICATIONS

### Intended Use:

The compact LED LNC2 is designed for perimeter illumination for safety, security and identity. This compact fixture has no upright and is neighbor friendly with typical mounting heights up to 15ft. Units are supplied with an acrylic diffuser accessory that can be used for lower LED brightness near building entrances or other pedestrian areas. Units have protective polyester finish for long lasting appearance.

### Construction:

Decorative die-cast aluminum housing protects components and provides an architectural appearance. Casting thermally conducts LED heat to optimize performance and long life. Powder paint finish provides durability in outdoor environments.

### Electrical:

- 120V-277V universal voltage 50/60Hz 0-10V dimming drivers
- 347V and 480V dimmable driver option in 12L configuration
- Electronic drivers: One in 7L, 9L and 12L units  
Two drivers in 18L units
- Minimum operating temperature is -40°C/-40°F
- Driver RoHS and IP66
- Drivers have greater than .90 power factor and less than 20% Total Harmonic Distortion

### LED(s) CCT:

- 3000K CCT nominal – 80 CRI, 4000K CCT nominal – 70 CRI, 5000K CCT nominal – 67 CRI
- 7 LEDs, 18 input watts, deliver 1389 lumens with 80 LPW efficiency at 5000K CCT
- 9 LEDs, 22 input watts, deliver 1745 lumens with 85 LPW efficiency at 5000K CCT
- 12 LEDs, 29 input watts, deliver 2420 lumens with 85 LPW efficiency at 5000K CCT
- 18 LEDs, 45 input watts, deliver 3311 lumens at 78 LPW efficiency at 5000K CCT

### Optical:

Type II, III and IV distributions with zero upright; Individual PMMA acrylic lenses for wide lateral throw, maximum control and efficiency; Acrylic diffuser included where reduced LED brightness is desired

### Lumen Maintenance:

L96 at 60,000hrs (Projected per IESNA TM-21-11), see table on page 2 for all values

### Installation:

Quick-mount adapter provides easy installation to wall or to recessed junction boxes (4" square junction box). Gasket seal and secured by two Allen-head hidden fasteners for tamper resistance. Designed for direct j-box mount or conduit feed in single SKU. Conduit feed not available with BBU.

### Options:

#### Controls:

- Button photocontrol for dusk to dawn energy savings
- Occupancy sensor options available for complete on/off and dimming control (includes factory installed back box)

### Egress (includes factory installed back box):

- Battery back-up option - 12L configuration only
- Provides 1 fc minimum over 10' x 10' at 11' mounting height (exceeds NEC requirement)
- 1,546 initial lumens in battery mode
- Meets UL924 90 minute discharge schedule
- -20°C to 30°C operating temperature

### Listings:

- DLC Qualified (Types III and IV) Consult DLC website for details:  
<http://www.designlights.org/QPL>
- Listed to UL 1598 for use in wet locations, 40° C ambient environments

### Warranty:

- Five year limited warranty (for more information visit: <http://www.hubbelloutdoor.com/resources/warranty/>)
- IES Progress Award Winner - 2013
- Building Operating Management 2014  
Top Products Award - LNC2-18LU

## PRODUCT IMAGE(S)



LNC2-12LU



LNC2-18LU



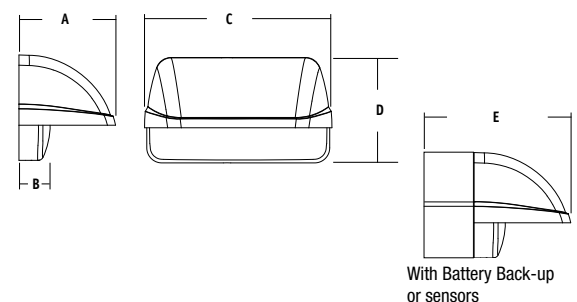
With diffuser



Battery Back-up or Sensor - See Page 2,3



## DIMENSIONS



| A        | B       | C        | D        | E        | Weight / BBU    |
|----------|---------|----------|----------|----------|-----------------|
| 6.25"    | 1.6"    | 10.25"   | 5.6"     | 10.25"   | 7.0 / 15.0 lbs. |
| 158.7 mm | 40.2 mm | 260.4 mm | 142.2 mm | 260.4 mm | 3.2 / 6.8 kg    |

## SHIPPING INFORMATION

| Catalog Number | G.W(kg)/CTN | Carton Dimensions |                 |                  | Carton Qty. per Master Pack |
|----------------|-------------|-------------------|-----------------|------------------|-----------------------------|
|                |             | Length Inch (cm)  | Width Inch (cm) | Height Inch (cm) |                             |
| LNC2-12LU      | 14.3 (6.5)  | 14.5 (37)         | 11.4 (29)       | 8.4 (21.5)       | 2                           |
| LNC2-18LU      | 14.8 (6.7)  | 14.9 (38)         | 11.4 (29)       | 8.4 (21.5)       | 2                           |

## CERTIFICATIONS/LISTINGS



## ORDERING INFORMATION – ORDERING EXAMPLE: LNC2-12LU-5K-3-1

| SERIES           | NUMBER OF LEDS/SOURCE/VOLTAGE  | CCT   | IES DISTRIBUTION             | FINISH            | OPTIONS  |
|------------------|--|---|------------------------------|-------------------|--|
| LNC2 Laredo LNC2 | <b>7LU</b> 7 LEDs, 18w input, Universal voltage 120-277V               | <b>3K<sup>2</sup></b> 3000K nominal 80 CRI  | <b>2<sup>1</sup></b> Type II | <b>1</b> Bronze   | <b>PC</b> Photocontrol (Must specify individual voltage)   |
|                  | <b>9LU</b> 9 LEDs, 22w input, Universal voltage 120-277V               | <b>4K</b> 4000K nominal 70 CRI  | <b>3</b> Type III            | <b>2</b> Black    | <b>BBU<sup>1,6</sup></b> Integral battery for 12L only (must specify 120V or 277V voltage in voltage category) rated for -20°C to 30°C |
|                  | <b>12LU<sup>3</sup></b> 12 LEDs, 29w input, Universal voltage 120-277V | <b>5K</b> 5000K nominal 67 CRI  | <b>4</b> Type IV             | <b>3</b> Gray     | <b>SCP<sup>4,5,6</sup></b> Programmable motion control, factory default is 10% light output  |
|                  | <b>18LU</b> 18 LEDs, 45w input, Universal voltage 120-277V             | <b>AM</b> Amber (590 µm available for "Turtle Friendly"/observatory applications, 350 mA (consult factory)) |                              | <b>4</b> White    |  |
|                  | <b>12L5</b> 12 LEDs, 29w input, 480V                                   |   |                              | <b>5</b> Platinum |  |
|                  | <b>12L6</b> 12 LEDs, 29w input, 347V                                   |   |                              |                   |  |

<sup>1</sup> Battery backup only available on 12L models, not available for Canada

<sup>2</sup> Does not qualify for DLC

<sup>3</sup> Replace U with 1 for 120V or 4 for 277V for 12L with BBU

<sup>4</sup> Must order minimum of one remote control to program dimming settings, 0-10V fully adjustable dimming with automatic daylight calibration and different time delay settings, 120V or 277V only

<sup>5</sup> PC option not applicable, included in sensor

<sup>6</sup> BBU and motion sensor options cannot be combined

[Controls Guide](#)



Hubbell Outdoor Lighting • 701 Millennium Boulevard • Greenville, SC 29607 • Phone: 864-678-1000

Due to our continued efforts to improve our products, product specifications are subject to change without notice.

© 2015 HUBBELL OUTDOOR LIGHTING, All Rights Reserved • For more information visit our website: [www.hubbelloutdoor.com](http://www.hubbelloutdoor.com) • Printed in USA

LAREDOLNC2-SPEC 2/15

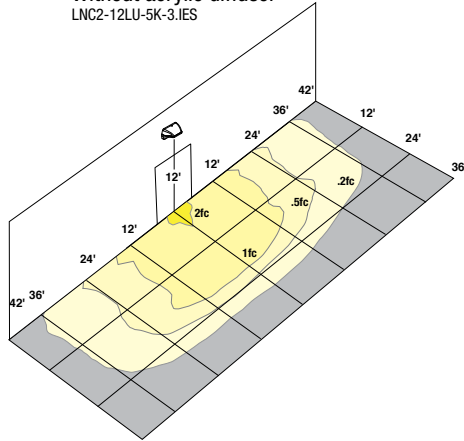
**REPLACEMENT PART/ACCESSORIES**

| CATALOG NUMBER | DESCRIPTION   |
|----------------|---|
| 93044013       | Frosted comfort shield, improves uniformity with only 5% lumen reduction                      |
| SCP-REMOTE*    | Remote control for SCP option. Order at least one per project to program and control fixtures |

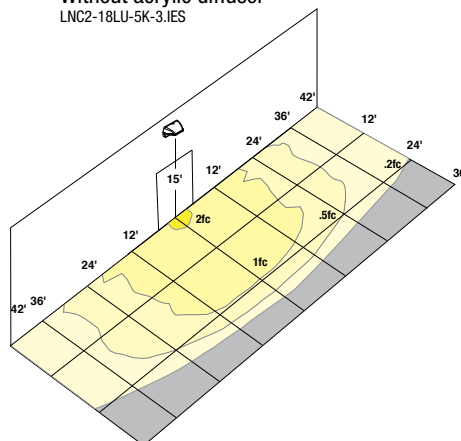
\*Must order minimum of one remote control to program dimming settings, 0-10V fully adjustable dimming with automatic daylight calibration and different time delay settings, 120V or 277V only

**PHOTOMETRICS**

Without acrylic diffuser  
LNC2-12LU-5K-3.IES



Without acrylic diffuser  
LNC2-18LU-5K-3.IES



**PERFORMANCE DATA**

| # OF LEDS | DRIVE CURRENT   | SYSTEM WATTS | DIST. TYPE | 5K<br>(5100K nominal, 67 CRI) |                  |   |   |      | 4K<br>(4200K nominal, 70 CRI) |                  |   |   |      | 3K<br>(3000K nominal, 70 CRI) |                  |   |   |   |
|-----------|-----------------|--------------|------------|-------------------------------|------------------|---|---|------|-------------------------------|------------------|---|---|------|-------------------------------|------------------|---|---|---|
|           |                 |              |            | LUMENS                        | LPW <sup>1</sup> | B | U | G    | LUMENS                        | LPW <sup>1</sup> | B | U | G    | LUMENS                        | LPW <sup>1</sup> | B | U | G |
| 7         | STD.<br>(700mA) | 18W          | 3          | 1389                          | 80               | 0 | 0 | 1    | 1421                          | 82               | 0 | 0 | 1    | 1046                          | 60               | 0 | 0 | 1 |
|           |                 |              | 4          | 1441                          | 83               | 0 | 0 | 1    | 1428                          | 82               | 0 | 0 | 1    | 1071                          | 62               | 0 | 0 | 1 |
| 9         |                 | 22W          | 3          | 1745                          | 85               | 0 | 0 | 1    | 1768                          | 86               | 0 | 0 | 1    | 1310                          | 64               | 0 | 0 | 1 |
|           |                 |              | 4          | 1806                          | 88               | 0 | 0 | 1    | 1772                          | 86               | 0 | 0 | 1    | 1317                          | 64               | 0 | 0 | 1 |
| 12        |                 | 28.6w        | 3          | 2420                          | 85               | 1 | 0 | 1    | 2246                          | 79               | 0 | 0 | 1    | 1824                          | 64               | 0 | 0 | 1 |
|           |                 |              | 4          | 2485                          | 87               | 0 | 0 | 1    | 2291                          | 80               | 0 | 0 | 1    | 1776                          | 62               | 0 | 0 | 1 |
| 18        | 44.5w           | 3            | 3311       | 74                            | 1                | 0 | 1 | 3069 | 69                            | 1                | 0 | 1 | 2522 | 57                            | 1                | 0 | 1 |   |
|           |                 | 4            | 3602       | 81                            | 1                | 0 | 1 | 3225 | 72                            | 1                | 0 | 1 | 2518 | 57                            | 0                | 0 | 1 |   |

Lumen values are from photometric tests performed in accordance with IESNA LM-79-08. Data is considered to be representative of the configurations shown. Actual performance may differ as a result of end-user environment and application. LNC2-12L battery mode produces 1,546 initial lumens. Meets UL924 90 minute discharge pattern.

**PROJECTED LUMEN MAINTENANCE**

| Ambient Temp. | OPERATING HOURS |        |        |                                     |         |                |
|---------------|-----------------|--------|--------|-------------------------------------|---------|----------------|
|               | 0               | 25,000 | 50,000 | TM-21-11 <sup>1</sup><br>L96 60,000 | 100,000 | L70<br>(hours) |
| 25°C / 77°F   | 1.00            | 0.98   | 0.97   | 0.96                                | 0.95    | >791,000       |
| 40°C / 104°F  | 0.99            | 0.98   | 0.96   | 0.96                                | 0.94    | >635,000       |

1. Projected per IESNA TM-21-11 \* (Nichia 219B, 700mA, 85°C Ts, 10,000hrs)  
Data references the extrapolated performance projections for the LNC-12LU-5K base model in a 40°C ambient, based on 10,000 hours of LED testing per IESNA LM-80-08.

**LUMINAIRE AMBIENT TEMPERATURE FACTOR (LATF)**

| AMBIENT TEMPERATURE | LUMEN MULTIPLIER |      |
|---------------------|------------------|------|
| 0° C                | 32° F            | 1.02 |
| 10° C               | 50° F            | 1.01 |
| 20° C               | 68° F            | 1.00 |
| 25° C               | 77° F            | 1.00 |
| 30° C               | 86° F            | 1.00 |
| 40° C               | 104° F           | 0.99 |

Use these factors to determine relative lumen output for average ambient temperatures from 0-40°C (32-104°F).

**ELECTRICAL DATA**

| # OF LEDS | DRIVE CURRENT (mA) | INPUT VOLTAGE (V) | CURRENT (Amps) | SYSTEM POWER (w) |
|-----------|--------------------|-------------------|----------------|------------------|
| 7         | STD. (700mA)       | 120               | -              | 18               |
|           |                    | 277               | -              | 18               |
| 120       |                    | 0.183             | 22             |                  |
| 277       |                    | 0.09              | 22.1           |                  |
| 12        |                    | 120               | 0.24           | 28.9             |
|           |                    | 277               | 0.10           | 27.7             |
|           | 347                | 0.10              | 33.7           |                  |
| 18        | 480                | 0.06              | 28.9           |                  |
|           | 120                | 0.35              | 41.0           |                  |
| 18 Amber  | 277                | 0.15              | 41.5           |                  |
|           | 120                | 2.68              | 32.0           |                  |

**MOTION SENSOR OPTION**



Sensor offers greater control and energy savings with SCP programmable sensor with adjustable delay and dimming levels (Factory default is 10%)

Visit: <http://www.hubbellighting.com/solutions/controls/> for control application information

**LNC2 – BATTERY BACK UP**

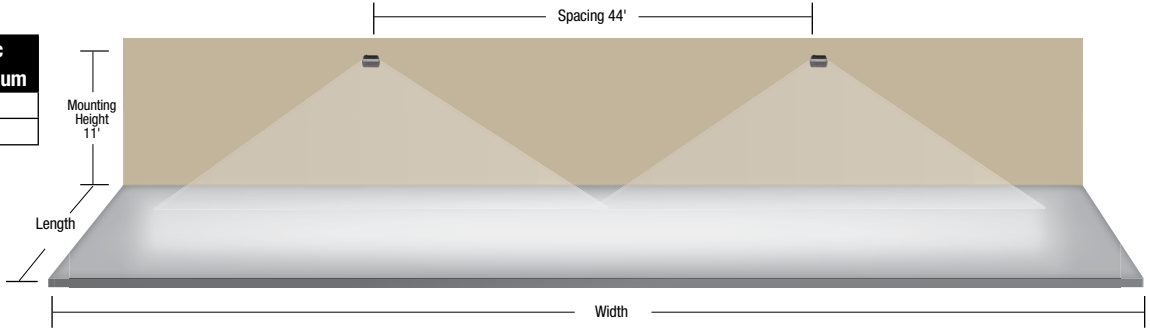


Side View

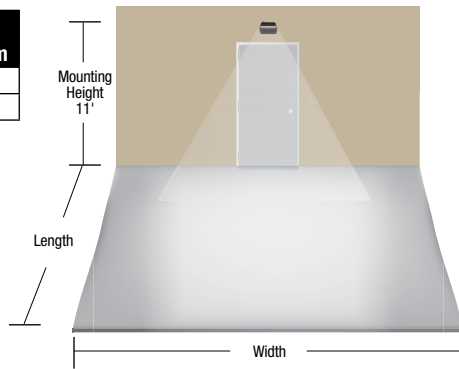


3/4 View

| Multi Unit | 1 fc Average | 1 fc Minimum |
|------------|--------------|--------------|
| Length     | 16'          | 15'          |
| Width      | 112'         | 68'          |



| Single Unit | 1 fc Average | 1 fc Minimum |
|-------------|--------------|--------------|
| Length      | 16'          | 15'          |
| Width       | 48'          | 24'          |



Provides Life Safety Code average illuminance of 1.0 fc. Assumes open space with no obstructions and mounting height of 11'. Diagrams for illustration purposes only, please consult factory for application layout.

**LIGHTING FACTS**

**LNC2-12LU-4K-3**

Hubbell Outdoor Lighting  
**lighting facts**  
 A Program of the U.S. DOE

Light Output (Lumens) **2186**  
 Watts **28.61**  
 Lumens per Watt (Efficacy) **76**

Color Accuracy  
 Color Rendering Index (CRI) **76**

Light Color  
 Correlated Color Temperature (CCT) **4020 (Bright White)**

Warranty\*\* **Yes**

All results, except LED Lumen Maintenance, are according to IESNA LM-79-2008. Approved Method for the Electrical and Photometric Testing of Solid State Lighting. The U.S. Department of Energy (DOE) verifies product test data and results.

\*\* See [www.lightingfacts.com/products](http://www.lightingfacts.com/products) for details.

Registration Number: A29K-YAUB25 (11/16/2012)  
 Model Number: LNC2-12LU-4K-3  
 Type: Outdoor wall pack

**LNC2-18LU-4K-3**

Hubbell Outdoor Lighting  
**lighting facts**  
 A Program of the U.S. DOE

Light Output (Lumens) **3011**  
 Watts **44.63**  
 Lumens per Watt (Efficacy) **67**

Color Accuracy  
 Color Rendering Index (CRI) **76**

Light Color  
 Correlated Color Temperature (CCT) **4020 (Bright White)**

Warranty\*\* **Yes**

All results, except LED Lumen Maintenance, are according to IESNA LM-79-2008. Approved Method for the Electrical and Photometric Testing of Solid State Lighting. The U.S. Department of Energy (DOE) verifies product test data and results.

\*\* See [www.lightingfacts.com/products](http://www.lightingfacts.com/products) for details.

Registration Number: A29K-LMKRDR (11/16/2012)  
 Model Number: LNC2-18LU-4K-3  
 Type: Outdoor wall pack

**LNC2-18LU-5K-3**

Hubbell Outdoor Lighting  
**lighting facts**  
 A Program of the U.S. DOE

Light Output (Lumens) **3306**  
 Watts **44.51**  
 Lumens per Watt (Efficacy) **74**

Color Accuracy  
 Color Rendering Index (CRI) **70**

Light Color  
 Correlated Color Temperature (CCT) **5060 (Daylight)**

Warranty\*\* **Yes**

All results, except LED Lumen Maintenance, are according to IESNA LM-79-2008. Approved Method for the Electrical and Photometric Testing of Solid State Lighting. The U.S. Department of Energy (DOE) verifies product test data and results.

\*\* See [www.lightingfacts.com/products](http://www.lightingfacts.com/products) for details.

Registration Number: A29K-MS6A1W (11/16/2012)  
 Model Number: LNC2-18LU-5K-3  
 Type: Outdoor wall pack