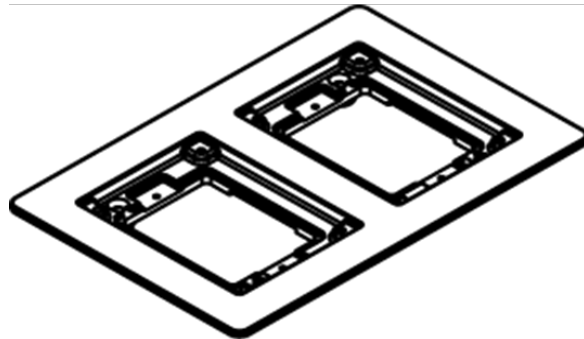


Flange

828TCAL



Two-gang brushed aluminum combination carpet and tile flange, 5.940" x 9.045" [150.9mm x 229.7mm]. Accepts Ortronics MAB6TJ TracJack and MAB3S2 Series II, and Wiremold CM Series Open System adapters, sold separately. NOTE: Brushed aluminum flanges come with beveled edges. Brass cover plates can only be used with brass flanges. Brushed aluminum flanges come with beveled edges.

features & benefits

specifications

General Info

Product Series: Omnibox
Component Type: Covers & Flanges