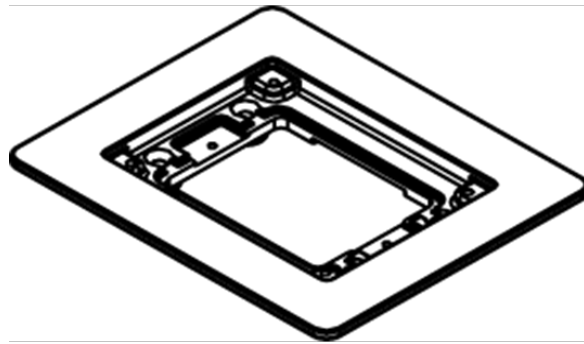


Flange

818TCAL



One-gang brushed aluminum combination carpet and tile flange, 5.940" x 4.920" [150.9mm x 125.0mm]. Accepts Ortronics MAB6TJ TracJack and MAB3S2 Series II, and Wiremold CM Series Open System adapters, sold separately. NOTE: Brushed aluminum flanges come with beveled edges. Brass cover plates can only be used with brass flanges. Brushed aluminum flanges come with beveled edges.

features & benefits

specifications

General Info

Product Series: Omnibox
Component Type: Covers & Flanges