

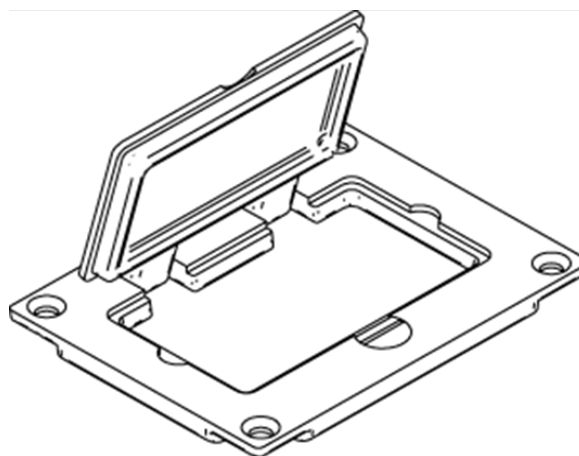


designed to be better.

828GFITCAL-BK, 828GFITCAL-GY, 828GFITCAL-BS,
828GFITCAL-NK, 828GFITCAL-BZ

GFI Cover Plate

828GFITCAL-BK, 828GFITCAL-GY,
828GFITCAL-BS, 828GFITCAL-NK,
828GFITCAL-BZ



Brushed aluminum GFI cover plate, 3.290" x 4.310" [83.6mm x 109.5mm]. May be used with Wiremold CM Series adapters and Ortronics Connectivity Systems in conjunction with 817B, 827B, and 837B Flanges.

features & benefits

specifications

General Info

Product Series: Omnibox
Component Type: Covers & Flanges