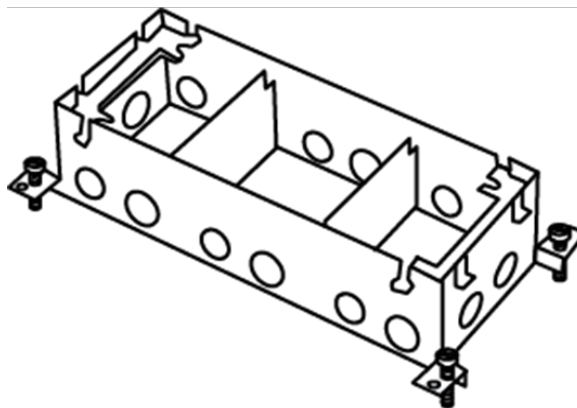


## 880S3 - Omnibox Series Steel Floor Box

880S3



The 880S3 Omnibox Floor Box Series provides an excellent activation solution for applications where single service is required in open space areas. The 880S3 floor box is offered in a stamped steel construction, designed to be installed in above-grade concrete floor applications and to meet a wide range of market requirements.

This floor box series has many applications, some of which are schools, financial institutions, and commercial office buildings.

### features & benefits

- **TopGuard protection.** All cover assemblies for the Omnibox Floor Box Series have TopGuard protection. An integral design which keeps out water, dirt, and debris from the power and communication compartments.
- **Fully adjustable box.** Before and after concrete pour adjustability. Lower installed cost.
- **Concrete-tight stamped steel construction.** Lower cost option for above grade applications.
- **Three-gang configurations, maximum flexibility.** Can remove divider for greater capacity. Supports multiservice applications.
- Boxes and covers have been listed by Underwriters Laboratories Inc. to their standard UL514A, 514C, 514D, and Canadian standard C22.2
- **Flush activation assemblies for carpet and tile.** Aesthetically pleasing assemblies are interchangeable for both cast-iron and stamped steel.
- **Datacom connectivity options.** Accepts industry standard and proprietary devices from a wide range of manufacturers to provide a seamless and aesthetically pleasing interface for voice, data, audio, and video applications at the point-of-use. A wide selection of data and bezel options available for use with Ortronics TracJack and Series II devices.

### specifications

#### General Info

Product Series: Omnibox  
Component Type: Boxes  
Knockout Size: 1/2"-1"

### **Construction Information**

Installation Location: Above-Grade

### **Buy American Act Compliance**

Country of Origin: MULTIPLE

Buy American Act Status: Exception

Notes: While most parts within this series comply with the BAA's Country of Origin requirements, some do not. For a complete list of all parts and their respective Country of Origin, refer to the "Series Part List-COO" under "Supporting Documents" on the "Resources" tab.