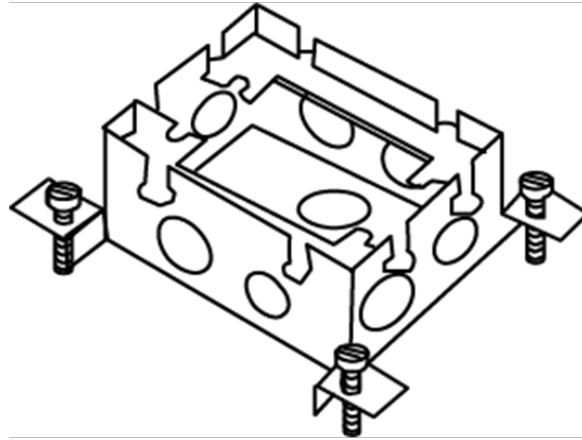


880M1 - Omnibox Series Shallow Steel Floor Box

880M1



The 880M1 Omnibox Floor Box Series provides an excellent activation solution for applications where single service is required in open space areas. The 880M1 floor box is offered in a stamped steel construction, designed to be installed in above-grade concrete floor applications and to meet a wide range of market requirements. This floor box series has many applications, some of which are schools, financial institutions, and commercial office buildings.

features & benefits

- **TopGuard protection.** All cover assemblies for the Omnibox Floor Box Series have TopGuard protection. An integral design which keeps out water, dirt, and debris from the power and communication compartments.
- **Fully adjustable box.** Before and after concrete pour adjustability. Lower installed cost.
- **Concrete-tight stamped steel construction.** Lower cost option for above grade applications.
- **Boxes and covers have been listed by Underwriters Laboratories Inc.** to their standard UL514A, 514C, 514D, and Canadian standard C22.2.
- **Flush activation assemblies for carpet and tile.** Aesthetically pleasing assemblies are interchangeable for both cast-iron and stamped steel.
- **Datacom connectivity options.** Accepts industry standard and proprietary devices from a wide range of manufacturers to provide a seamless and aesthetically pleasing interface for voice, data, audio, and video applications at the point-of-use. A wide selection of data and bezel options available for use with Ortronics TracJack and Series II devices.

specifications

General Info

Product Series: Omnibox
Component Type: Boxes

Knockout Size: 1/2"-3/4"

Construction Information

Installation Location: Above-Grade

Buy American Act Compliance

Country of Origin: MULTIPLE

Buy American Act Status: Exception

Notes: While most parts within this series comply with the BAA's Country of Origin requirements, some do not. For a complete list of all parts and their respective Country of Origin, refer to the "Series Part List-COO" under "Supporting Documents" on the "Resources" tab.