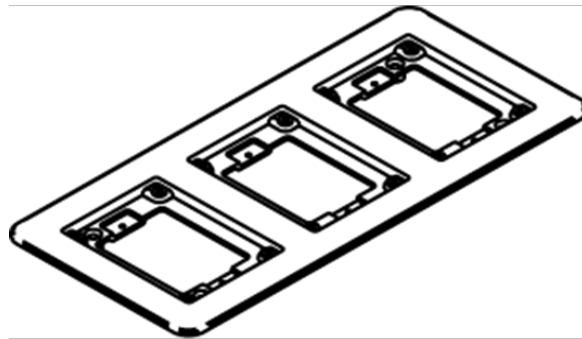


Flange

837B



Three-gang brass combination carpet and tile flange, 6.080" x13.310" [154.4mm x 338.1mm]. Accepts Ortronics MAB6TJ TracJack and MAB3S2 Series II, and Wiremold CM Series Open System adapters, sold separately. NOTE: Brass cover plates can only be used with brass flanges. Brushed aluminum flanges come with beveled edges.

features & benefits

specifications

General Info

Product Series: Omnibox
Component Type: Covers & Flanges