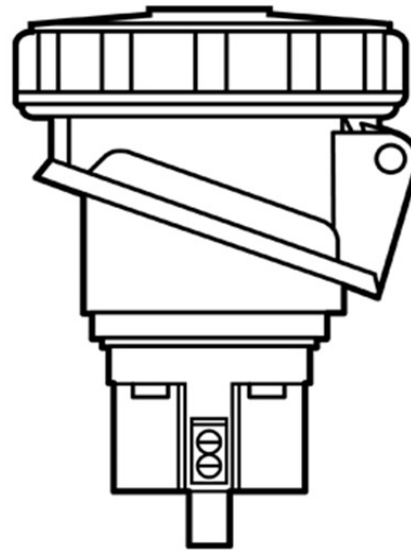


# Pin & Sleeve Watertight Receptacle

PS430R9W



3 pole, 4 wire, Pin and Sleeve Receptacle.  
30 amp, 3Ø/250 volt.

## features & benefits

- All P&S Watertight Pin & Sleeve plugs, connectors, receptacles, and inlets bring you the features to enhance versatility, reliability, and safety.
- North American products come completely ready to wire, for quick, simple installation.
- And all feature chemical-resistant thermoplastic construction.
- Shrouded, nickel-plated, solid-brass pins provide corrosion protection and excellent conductivity.
- An exclusive, hinged cord grip eliminates loose parts that get lost.



## specifications

### General Info

Type: Pin & Sleeve North American Watertight Receptacle

Number Of Poles: 3

Number Of Wires: 4

### Listing Agencies/Third Party Information

CSA Listing Info: No

CUL Listing No: No

cULus: Yes

cURus: No

Federal Spec: No

UL Listing No: No

UN SPS C: 39121403

UR: No

**Dimensions**

Length U S: 4.5"

**Technical Information**

Amps: 30 Amp

Volts: 3ø 250VAC

Volts A C: 250

**Buy American Act Compliance**

Country of Origin: UNITED-STATES-OF-AMERICA

Buy American Act Status: Buy American Act Compliant