

## RCA Feedthrough QuickPort® Connector

### APPLICATION

The RCA Feedthrough QuickPort Connector provides audio connectivity for workstation cabling for termination on UTP cable, speaker wire, or shielded AV cable. The connectors snap into any QuickPort housing: flush- and surface-mount outlets, Multimedia Outlet System (with adapter), Decora® Inserts, patch panels, and patch blocks.



### SPECIFICATION

The connector shall be individual snap-in style female-to-female bulkhead adapters, and shall fit all other installed telecommunications wallplates, outlets, and field-configurable patch panels and patch blocks. The connector shall be available in a variety of colors to match the housings or wallplates. Connectors shall be UL listed. All plastics used in construction of the module bodies shall be fire retardant.

### FEATURES

- Compatible with all QuickPort wallplates, housings, and panels
- Available in a variety of colors to match housings or wallplates
- Standard colors for signal identification

### DESIGN CONSIDERATIONS

- Check clearance behind proposed location of bulkhead module to ensure space for proper bend-radius of cabling media

### STANDARDS COMPLIANCE

- cULus Listed (UL 1863 , CAN/CSA-C22.2 No. 182.4-1990)

### PHYSICAL SPECIFICATIONS

Dimensions: See page two

Materials: Connector bodies are high-impact, fire-retardant

RCA is gold flash-plated 5-15 µm

Colors: Ivory, white, light almond, grey, black, and brown

### COUNTRY OF ORIGIN

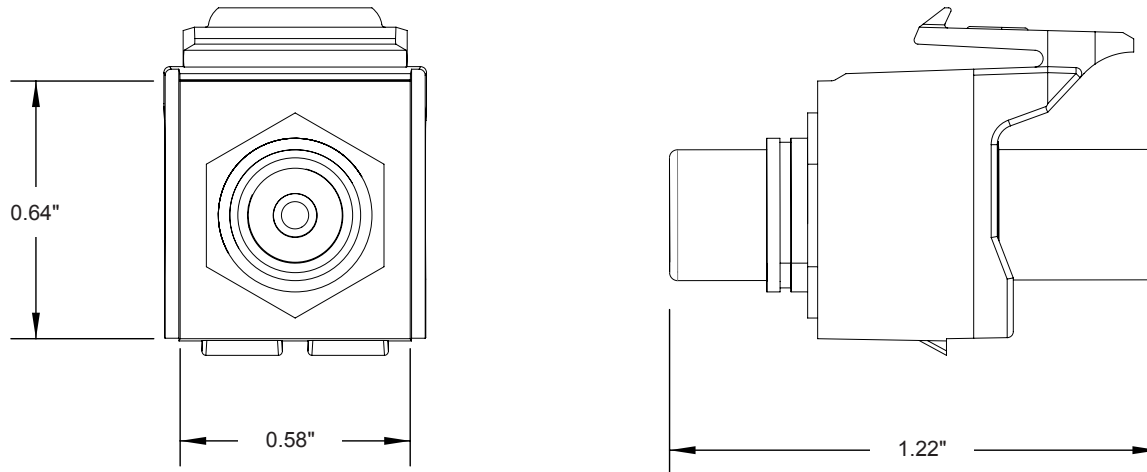
China

### WARRANTY INFORMATION

For a copy of Leviton product warranties, visit [www.leviton.com/warranty](http://www.leviton.com/warranty).

**ELECTRONIC FILES**

For CAD files, typical specs, or technical drawings (.DXF, .DWG), visit [www.leviton.com](http://www.leviton.com).



40830-Bxx

**PART NUMBERS**

Description	WHITE	LT. ALMOND	IVORY	GREY	BLACK	BROWN
RCA Feedthrough QuickPort® Connector, gold plated, black stripe	40830-BWE	40830-BTE	40830-BIE	40830-BGE	40830-BEE	40830-BBE
RCA Feedthrough QuickPort Connector, gold plated, red stripe	40830-BWR	40830-BTR	40830-BIR	40830-BGR	40830-BER	40830-BBR
RCA Feedthrough QuickPort Connector, gold plated, yellow stripe	40830-BWY	40830-BTY	40830-BIY	-	-	-
RCA Feedthrough QuickPort Connector, gold plated, green stripe	40830-BWV	-	40830-BIV	-	-	-
RCA Feedthrough QuickPort Connector, gold plated, blue stripe	40830-BWL	-	40830-BIL	-	-	-



**Leviton Network Solutions**  
2222 - 222nd St. SE  
Bothell, WA 98021-4416

**Asia / Pacific**  
T +1.631.812.6228  
E [infoasean@leviton.com](mailto:infoasean@leviton.com)

**Canada**  
T +1.514.954.1840  
E [pcservice@leviton.com](mailto:pcservice@leviton.com)

**Caribbean**  
T +1.954.593.1896  
E [infocaribbean@leviton.com](mailto:infocaribbean@leviton.com)

**China**  
T +852.2774.9876  
E [infochina@leviton.com](mailto:infochina@leviton.com)

**Colombia**  
T +57.1.743.6045  
E [infocolombia@leviton.com](mailto:infocolombia@leviton.com)

tel 1-800-824-3005  
tel +1-425-486-2222  
[appeng@leviton.com](mailto:appeng@leviton.com)  
[www.leviton.com](http://www.leviton.com)

**Europe**  
T +33.6.8869.1380  
E [infoeurope@leviton.com](mailto:infoeurope@leviton.com)

**India / SAARC**  
T +971.4.886.4722  
E [infoindia@leviton.com](mailto:infoindia@leviton.com)

**Mexico**  
T +52.55.5082.1040  
E [lsamarketing@leviton.com](mailto:lsamarketing@leviton.com)

**Middle East & Africa**  
T +971.4.886.4722  
E [lmeinfor@leviton.com](mailto:lmeinfor@leviton.com)

**South Korea**  
T +82.2.3273.9963  
E [infokorea@leviton.com](mailto:infokorea@leviton.com)