

347 Volt Boxes



CIMBS-1-HV



CIMBS-4-HV

1 gang to 4 gangs



CIMBD-1-HV



CIMBD-4-HV

1 gang to 4 gangs



Cat. No.	Volume (Cu. in.)	Number of Gangs	Width (in.)	Knockouts
				1/2 in. ends
2-3/8 in. Deep x 4 in. High				
CIMBS-1-HV	20.25	1	2-1/4	2
CIMBS-2-HV	20.25 / gang	2	4-1/16	4
CIMBS-3-HV	20.25 / gang	3	5-7/8	6
CIMBS-4-HV	20.25 / gang	4	7-11/16	8
3-3/8 in. Deep x 4 in. High				
CIMBD-1-HV	20.25	1	2-1/4	4
CIMBD-2-HV	20.25 / gang	2	4-1/16	8
CIMBD-3-HV	20.25 / gang	3	5-7/8	12
CIMBD-4-HV	20.25 / gang	4	7-11/16	16

Note: All HV boxes have tapped holes spaced 3-17/32 in. to accommodate 347 Volt switches.
Standard lateral spacing 1-13/16 in., on pre-ganged boxes.
Pre-ganged boxes include fibre partitions

Partitions Only

Accessories

CIMBS-HV-PART

CIMBD-HV-PART

347 Volt Boxes

Boxes and Kits



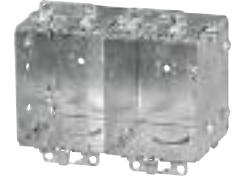
BC52171-HV-KIT



BC52171-KSSXHVKIT



CI1204-1-HV



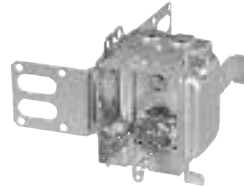
CI1204-2-HV



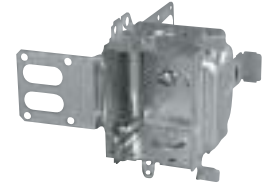
CI1204-LA-HV



CI1204-3/4-SSX-HV



CI1204-LSSAX-HV



CI1204-SSX-HV



Cat. No.	Volume (Cu. in.)	Number of Gangs	Dimensions	Features			Knockouts	Pryouts
			H x W x D (in.)	Ears	Clamps	Brackets	1/2 in. ends	ends
2-1/2 in. Deep — Gangable								
BC52171-HV-KIT	33,6	1	4 x 4 x 2-1/8	-	-	-	2	-
BC52171-KSSXHVKIT	33,6	1	4 x 4 x 2-1/8	-	-	-	2	-
CI1204-1-HV	16.0	1	3 x 2-1/4 x 2-1/2	recessed	-	-	2	-
CI1204-2-HV	32.0	2	3 x 4-1/2 x 2-1/2	recessed	-	-	4	-
CI1204-3/4-SSX-HV	16.0	1	3 x 2 x 2-1/2	-	-	“SSX”	-	-
CI1204-LA-HV	16.0	1	3 x 2-1/4 x 2-1/2	flush	BX	-	-	4
CI1204-LSSAX-HV	16.0	1	3 x 2-1/4 x 2-1/2	-	BX	“SSX”	-	4
CI1204-SSX-HV	16.0	1	3 x 2-1/4 x 2-1/2	-	-	“SSX”	2	-
CI1204-SS1X-HV	16.0	1	3 x 2-1/4 x 2-1/2	-	-	“SSX”	2	-
CI1204-LSSAX-HV-1	16.0	1	3 x 2-1/4 x 2-1/2	-	BX	“SSX”	-	4

Note: All HV boxes have tapped holes spaced 3-17/32 in. to accommodate 347 Volt switches

CI1204-2-HV includes CIHVP partition

On multigang boxes lateral spacing 2-1/4 in.

When ganged, CIHVP partition must be installed between spacers

347 Volt Boxes

Covers



CI1110-HV



BC11-C-4-HV



BC11-C-5-HV



CI11-C-10-HV



CIFS-1G-1/2-HV
CIFS-1G-3/4-HV

Includes stamped aluminum "FS" cover.



CIFS-9-HV



Cat. No.	Volume (Cu. in.)	Number of Gangs	Dimensions	Features	Knockouts
			H x W x D (in.)	Raised Ground Screw	1/2 in. ends
1-7/8 in. Deep					
CI1110-HV	16.5	1	4 x 2-3/8 x 1-7/8	yes	2
347 Volt "FS" Box Kits — 1-7/8 in. Deep (Cast Aluminum)					
CIFS-1G-1/2-HV	14.0	1	6 x 2-13/16 x 1-7/8	yes	1 x 1/2 hub
CIFS-1G-3/4-HV	14.0	1	6 x 2-13/16 x 1-7/8	yes	1 x 3/4 hub

Note: All HV boxes have tapped holes spaced 3-17/32 in. to accommodate 347 Volt switches.

Cat. No.	Description
347 Volt Utility Box Covers	
BC11-C-4-HV	Blank
BC11-C-5-HV	One toggle switch
CI11-C-10-HV	Decora

Cat. No.	Description
347 Volt "FS" Cover (Stamped Aluminum)	
CIFS-9-HV	One toggle switch

Mounting screws included

347 Volt Boxes

Covers and Accessories



CIHVP



CISBEX-HV



CI6851-HV



CI6852-HV



CI6853-HV



CI6854-HV



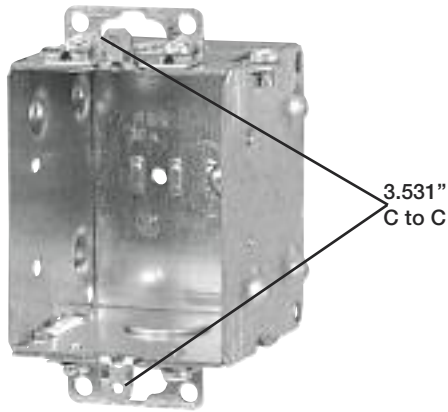
Cat. No.	Description
347 Volt Stainless Steel Wall Plates (for CI1204-HV Boxes)	
CI6851-HV	Single 347 Volt toggle switch
CI6852-HV	Two 347 Volt toggle switches
CI6853-HV	Three 347 Volt toggle switches
CI6854-HV	Four 347 Volt toggle switches

Note: Device mounting screws included
Lateral spacing 2-1/4" on CI6852-HV / CI6853-HV / CI6854-HV

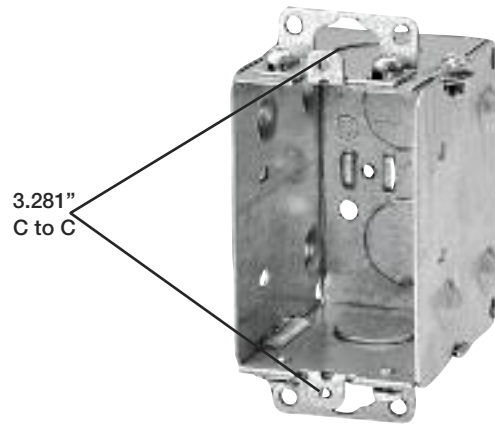
Cat. No.	Description
347 Volts Partitions (Steel)	
CIHVP	High voltage partition to be used with 347 Volt boxes (CI1204 series) when ganged
347 Volts Device Box Extension	
CISBEX-HV	2 in. x 3 in. 347 Volt – Maximum adjustable depth – 1-7/8 in. – Complete with mounting screws

347 Volt Boxes

HV (347 Volt) vs Regular Box Spacing

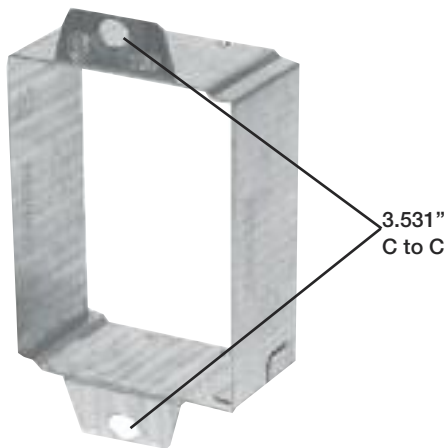


CI1204-1-HV

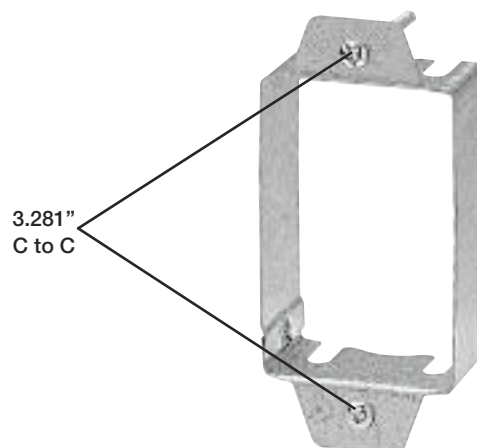


BC1104

Extension Rings



CISBEX-HV



CISBEX

