
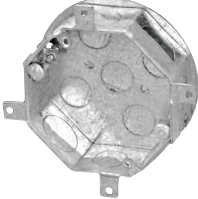

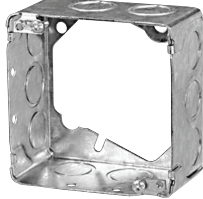
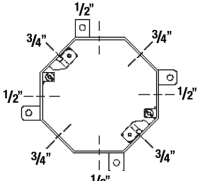
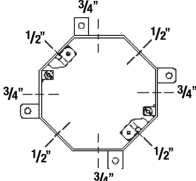
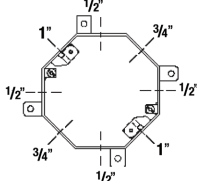
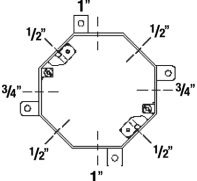


## Concrete Rings and Accessories

			
<b>BCCWB-18</b>	<b>CI54531</b> (Shown with cover installed.)	<b>CI54571</b>	<b>CI53171-ER</b> Extension ring. Mounts directly on concrete rings.

		
<b>CI54581 / CI54591</b>	<b>CI54560</b>	<b>CICBA</b>

<b>SKETCH A</b> Knockout Configuration	<b>SKETCH B</b> Knockout Configuration	<b>SKETCH C</b> Knockout Configuration	<b>SKETCH D</b> Knockout Configuration
			



Cat. No.	Volume (Cu. in.)	Dimensions H x W x D (in.)	Knockouts			Sketch
			1/2 in. sides	3/4 in. sides	1 in. sides	
<b>2-1/2 in. Deep</b>						
<b>BCCWB-18</b>	18.0	3 x 2 x 2-1/2	-	4	-	-
<b>Concrete Rings</b>						
<b>CI54531</b>	24.0	4 x 4 x 2	4	4	-	A
<b>CI54541</b>	30.0	4 x 4 x 2-1/2	4	4	-	B
<b>CI54551</b>	36.0	4 x 4 x 3	4	4	-	B
<b>CI54561</b>	42.0	4 x 4 x 3-1/2	4	4	-	B
<b>CI54571</b>	48.0	4 x 4 x 4	4	2	2	C
<b>CI54581</b>	60.0	4 x 4 x 5	4	2	2	D
<b>CI54591</b>	72.0	4 x 4 x 6	4	2	2	D
<b>Extension Rings</b>						
<b>CI53171-ER</b>	30.0	4 x 4 x 2-1/8	10	6	-	-

Cat. No.	Description
<b>Accessories</b>	
<b>CI54560</b>	Round cover with 5 - 1/2 in. knockouts. One cover supplied with each concrete ring
<b>CICBA</b>	For quick mounting and alignment of octagonal extension ring (BC55151-K, CI55171-K) on concrete ring

Note: One CI54560 cover is supplied with each concrete ring