

WPQ-L

2 IN 1 LED WALL PACK
 (Surface Mount/Conduit Feed)
 22W (1830 lumens)

IP RATING
65



Approvals:
 cULus listed
 Suitable for wet locations



Surface mounting shown

Conduit mounting shown



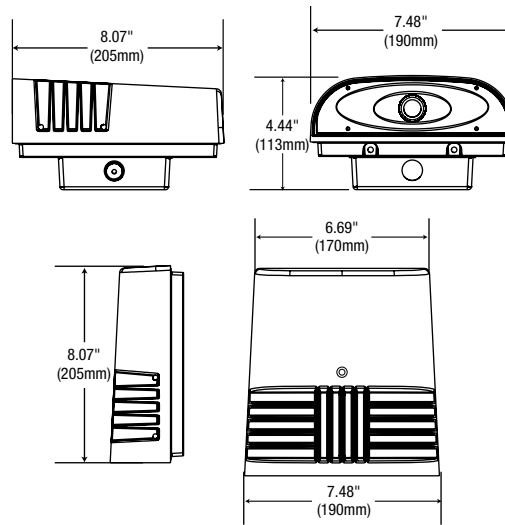
DESCRIPTION

The newly designed and versatile WPQ-L is a highly efficient LED wall mount luminaire. This fixture is supplied with a photocell (120V), a wall bracket (for surface mounting), and a wiring box (for feed-through mounting). This fixture is best suited for entrances, underpasses, or anywhere controlled security lighting is required. The WPQ-L is made of tough die cast aluminum housing and is IP65 rated. This fixture also has the option of adding a 1/2" fitter, a slipfitter or trunion for flood lighting.

TECHNICAL SPECIFICATIONS

- Die cast aluminum housing
- Integrated photocell (120V)
- Bronze UV resistant powder coat finish
- Input voltage: 120V AC (208-277V et 347V AC optional)
- High quality, long life LEDs
- Estimated lifespan of 50 000 hours
- 22 Watts offers 1830 total lumens
- 5000K colour temperature
- Low starting temperature of -40°C

DIMENSIONS



ORDERING GUIDE

WPQ	L	S1	50K			
Series	Lamp type	Lumen package delivered	Voltage	Colour temperature	Casting colour	Options
WPQ	L - LED	S1 - 1830 lumens (22W)	A - 120V (standard) G - 208-277V H - 347V	50K - 5000K	Blank - Bronze (standard) WH - White	P - 120V photocell (standard 120V and 347V) P277 - 208-277V photocell NPT 1 - 1/2" fitter A - Slipfitter TR - Trunion or Yoke mount