

PRMS

STEEL COMBO

NBC2010 compliant

The PRMS series of commercial combination steel signs and battery units features a slim profile that eliminates light leaks combined with a simple, easy to install design. Two PAR18 small style, front mounted heads are standard, PAR36 large style or MR16 type are optional.

FEATURES AND SPECIFICATIONS

• Electrical circuitry

- LED ultra bright light source
- 120/347VAC Input, field selectable
- 1.9W power consumption for LED exit portion of combination sign
- LED Emergency DC wattages as follows:
6VDC = 0.9W 12VDC = 0.9W
- 6VDC or 12VDC emergency power output versions (as specified)
- Wattage capacities from 36 to 72W
- 30 minutes emergency power duration standard
- Momentary push button test switch
- Pilot LEDs for AC, ON and CHARGE
- Fully automatic, current limited charger
- Solid state design and construction
- Brownout and short circuit protection
- Temperature compensated
- Maintenance free, sealed lead acid battery

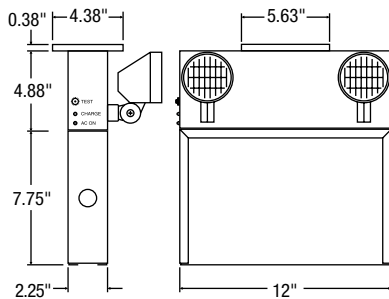
• Mechanical

- 20 Gauge steel construction
- Slide out faceplates and backplates for rapid and simple installation
- Universal spider knockout pattern stamped into backplate for junction box mounting
- Universal models include ceiling or end mount, field installable canopy kit c/w spider plate
- Multiple conduit entry knockouts
- White powder coat finish standard, other finishes and colours optional
- PAR18 small style, high impact thermoplastic heads are standard (2N)
- Optional heads include PAR36 large style thermoplastic and die cast metal MR16 type
- Front head mounting is standard, side mount is optional

• Approvals

- CSA Certified to C22.2 #141-15
- CSA Certified to C860-11

DIMENSIONS



Comes standard (single face) with three pictogram legends for direction selection.



Comes standard (double face) with two pictogram legends.



For double face no arrow options, select "0" on the options column.

Project: _____
 Type: _____
 Catalogue #: _____
 Drawn by: _____
 Date: _____



OVERVIEW

Light source	LED
Input voltage	120/347VAC
Power consumption	1.9W
DC voltage/wattage	6VDC = 0.9W; 12VDC = 0.9W
Wattage capacity	36W - 72W

ORDERING GUIDE

Series	Voltage	Wattage	Nbr of faces	Head	Lamp	Options†
PRMS C860 Certified	6 - 6V 1 - 12V	See rating chart below	0 - Universal faces 1 - Single face 2 - Double face	00 - No heads 1N - 1 PAR18 (standard) 2N - 2 PAR18 (standard) 1S - 1 MR16 2S - 2 MR16 1L - 1 PAR36 2L - 2 PAR36 1M - 1 MR16 2M - 2 MR16	See lamp selection chart below	TP, WG*, PG, OP, BO, WO, AT***, TD** 0 - No indicators (double face only) ↓ ↑ ↗ ↘ ↙ ↘ D U UR DR DL UL Note: Indicators option available for single & double option only.

† For detailed options descriptions, please consult the options page.
 * Specify mounting.
 ** The dimensions of the battery pack housing will be larger than indicated on the drawing.
 *** Specify voltage. The dimensions of the battery pack housing will be larger than indicated on the drawing.

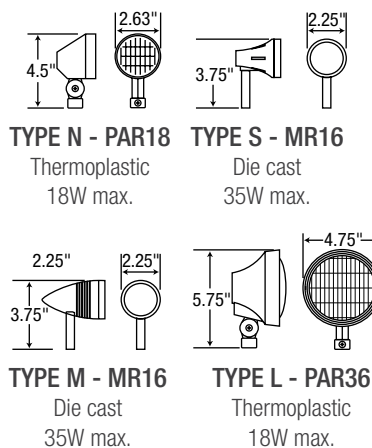
QUICK SHIP: Not all products are Quick Ship. To view our Quick Ship qualified products, please consult our Quick Ship Product Guide at stanprols.com/quick-ship-product-guide. Product availability is subject to change without notice. Please contact your Stanpro customer service representative to confirm inventory levels at time of order.

LAMP SELECTION

	6 Volts	12 Volts
PAR18 • Small head		
LED	3LJ, 4LJ, 5LA	3LJ, 4LJ, 5LA, 6LA, 7LA
Quartz halogen	08Q, 10Q, 12Q	10Q, 12Q
Tungsten	09T	09T, 12T, 18T
MR16 • Small head c/w MR16 Lamp		
LED	4LR, 5LA	4LR, 5LA, 6LA, 7LA
Quartz halogen	08Q, 10Q, 12Q, 20Q	08Q, 10Q, 12Q, 20Q, 35Q
PAR36 • Large head		
Quartz halogen	08Q, 10Q, 12Q, 20Q	10Q, 12Q, 20Q
Tungsten	09T, 18T, 25T	09T, 18T
Quartz sealed beam	08SBQ, 10SBQ, 12SBQ, 20SBQ	08SBQ, 12SBQ
Tungsten sealed beam	09SBT, 18SBT	25SBT

MODEL RATINGS

Model	Voltage	Wattage capacities			
		30 min.	60 min.	90 min.	120 min.
PRMS0636	6V	36	18	12	9
PRMS0650	6V	50	25	16	12
PRMS1236	12V	36	18	12	9
PRMS1250	12V	50	25	16	12
PRMS1272	12V	72	36	24	18



Comments

All products are subject to change or may be discontinued any time without notice.