


SLB

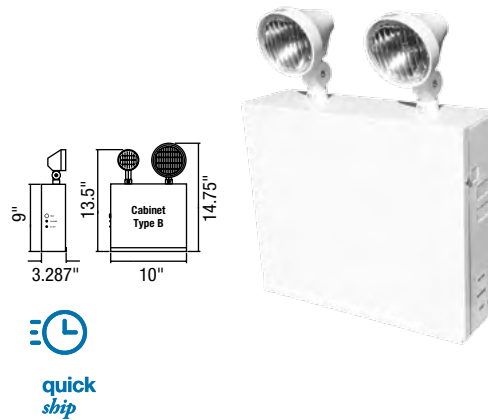
STEEL BATTERY UNIT

6V or 12V

72W-100W Capacity

120/347VAC Input

Approvals:
 **CSA Certified to C22.2 #141.15**



DESCRIPTION

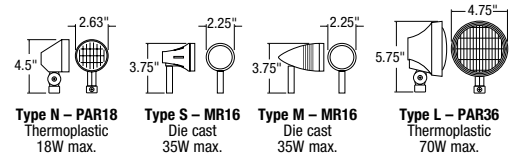
The SLB series of commercial steel battery units is designed to provide efficient and reliable emergency lighting. Utilizing a sturdy, all steel housing, the SLB presents a modern and unobtrusive design. On higher capacity models, the cabinet front is sloped to allow better internal access and superior low angle light distribution. The SLB series is available in 6VDC or 12VDC versions in a range of wattage capacities up to 100W, for 30 minutes duration. Units are typically supplied with two top mounted PAR18 or PAR36 type heads, however a wide range of head type, number and placement are available including MR16 type. The SLB can also accommodate a wide variety of options, including auto-testing self-diagnostics and remote testing.

MECHANICAL

- Rugged steel cabinet with ultraguard rust-coating
- 120VAC line cord supplied standard
- Universal spider knockout pattern and keyhole mounting slots stamped into back of cabinet
- Multiple conduit entry knockouts
- White powder coat finish standard, other finishes and Colours optional
- Lamp heads include PAR18 small style, PAR36 large style and die cast metal MR16 type
- Top head mounting is standard, side mount is optional

CIRCUITRY

- 120/347VAC 60Hz Input, field selectable
- High efficiency, rapid recovery, precision control charging system
- 6VDC or 12VDC emergency power output versions (as specified)
- Wattage capacities up to 100W
- 30 Minutes emergency power duration standard
- Momentary push button test switch
- Diagnostic/pilot LEDs for AC ON and CHARGE
- Fully automatic, current limited charger
- Line latched, low voltage protection
- Solid state design and construction
- Brownout and short circuit protection
- Temperature compensated
- Complete battery recharge in 24 hours
- Maintenance free, sealed lead acid battery
- Optional automatic-testing, self-diagnostic charger board:
 - Continuously monitors the operational status of the battery unit
 - Automatically performs battery and lamp load testing at preset intervals
 - Indicates any component malfunctions or automated test failures



ORDERING GUIDE

Series	Voltage	Wattage	Battery	Head/Lamp	Lamp	Colour	Options†
SLB	06 - 6VDC 12 - 12VDC	See model rating below	Blank - Regular HP - High power factor	0 - No Heads 1N - One PAR18 2N - Two PAR18 1L - One PAR36 2L - Two PAR36	1S - One MR16 2S - Two MR16 1M - One MR16 2M - Two MR16	See lamp list below	WH - White (standard) BK - Black GY - Grey AT, TD*, LD, BD, V, A, ACTB, DCTB, FD4, RDS*, OBM, TLP, CT, TP, MTS, WG, IRT, IRC

† For detailed options descriptions, please consult the options page. * Specify AC voltage.

QUICK SHIP: Not all products are Quick Ship. To view our Quick Ship qualified products, please consult our Quick Ship Product Guide at stanprols.com/quick-ship-product-guide. Product availability is subject to change without notice. Please contact your Stanpro customer service representative to confirm inventory levels at time of order.

LAMP SELECTION

	6 Volts	12 Volts
PAR18 - Small head or LED Lamp		
LED	3WLJ, 4WLJ, 5WLA	3WLJ, 4WLJ, 5WLA, 6WLA, 7WLA
Quartz halogen	08WQ, 10WQ, 1W2Q	10WQ, 12WQ
Tungsten	09WT	09WT, 12WT, 18WT
MR16 - Small head c/w MR16 or LED Lamp		
LED	4WLR, 5WLA	4WLR, 5WLA, 6WLA, 7WLA
Quartz halogen	08WQ, 10WQ, 12WQ, 20WQ	08WQ, 10WQ, 12WQ, 20WQ, 35WQ
PAR36 - Large head		
Quartz halogen	08WQ, 10WQ, 12WQ, 20WQ	10WQ, 12WQ, 20WQ, 35WQ
Tungsten	09WT, 18WT, 25WT	09WT, 18WT, 25WT
Quartz sealed beam	08WSBQ, 10WSBQ, 12WSBQ, 20WSBQ	08WSBQ, 12WSBQ
Tungsten sealed beam	08WSBT, 09WSBT, 18WSBT	25WSBT

Note: Due to cabinet/space limitations, not all options are available for all models in any given combination. Please consult with your factory representative regarding specific options and exact cabinet dimension information.

MODEL RATINGS

Model	Voltage	Wattage capacities			
		30 min.	60 min.	90 min.	120 min.
SLB-06072	6V	72	36	24	18
SLB-06100	6V	100	50	33	25
SLB-12100	12V	100	50	33	25