

YDD-L

LED DUSK TO DAWN YARD LIGHT

49W (5046 lumens)

UL LISTED **US** Approvals:
 cULus listed
 Suitable for outdoor use.
Powered by CREE LED

Project: _____

Contractor: _____



quick ship



Not all products are qualified on the DLC QPL. To view our DLC qualified products, please consult the DLC Qualified Products List at www.designlights.org/search.

DESCRIPTION

The YDD-L is an energy efficient dusk to dawn yard light. It is a versatile and economic light source that is good on the environment and uses long life LED's. The YDD-L comes standard with a photocontrol which helps to provide significant power savings. It includes an installation bracket for pole and wall mounting and a 21" arm for ease and versatility of installation. All units come standard with 6 feet of cable to facilitate the connection to the junction box when mounting with the pole arm.

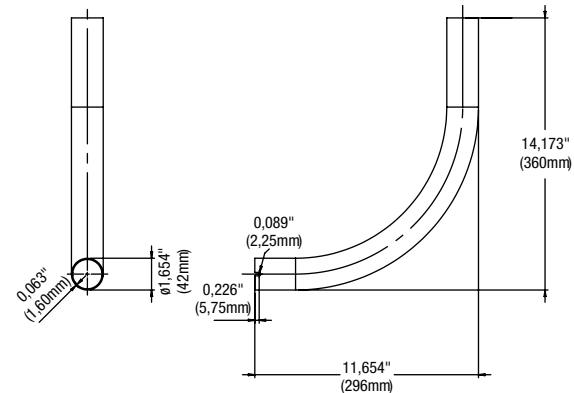
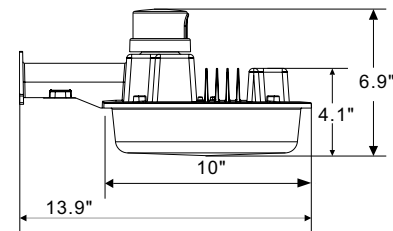
TECHNICAL SPECIFICATIONS

- Grey die cast housing
- Standard with photocell (120V only) and 21" arm
- Input voltage: 120V AC
- High quality, long life LEDs
- Estimated lifespan of 50 000 hours
- 4000K colour temperature
- Low starting temperature of -40°C

Accessory (order SEPARATELY)

PH0009	Shorting cap
--------	--------------

DIMENSIONS



ORDERING GUIDE

YDD	L	S2	A	4K	PT120
Series	Lamp type	Lumen package	Voltage	Colour temperature	Mandatory selection
YDD	L - LED	S2 - 49W (5046 lumens)	A - 120V	4K - 4000K	PT120 - 120V Photocell (twist-lock - standard) with arm