

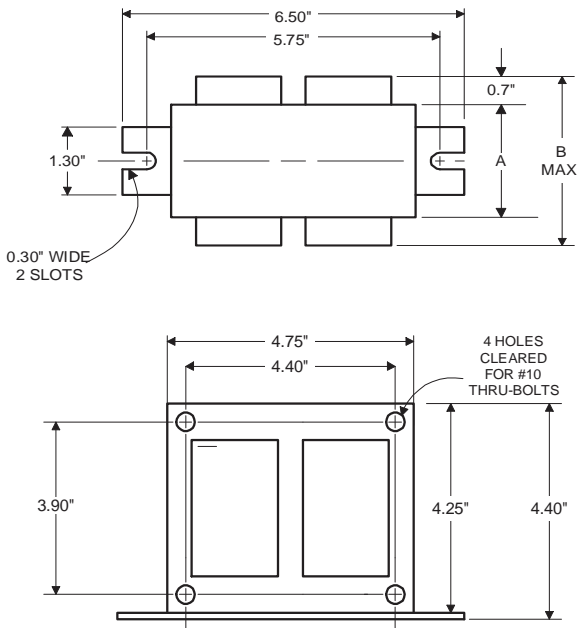


Metal
Halide
Lamp Ballast

Catalog Number 71A5770
For 250W M58
60 Hz CWA
Status: Active

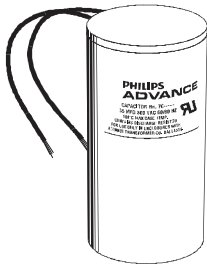
DIMENSIONS AND DATA

4 1/4 X 4 3/4 CORE - 2 COIL UNIT



	120	208	240	277
INPUT VOLTS				
CIRCUIT TYPE	CWA			
POWER FACTOR (min)	90%			
REGULATION				
Line Volts	±10%			
Lamp Watts	±10%			
LINE CURRENT (Amps)				
Operating.....	2.50	1.45	1.25	1.10
Open Circuit.....	1.70	1.00	0.85	0.75
Starting.....	2.20	1.30	1.10	1.00
UL TEMPERATURE RATINGS				
Insulation Class	H(180°C)			
Coil Temperature Code	1029			
MIN. AMBIENT STARTING TEMP.	-20°F or -30°C			
NOM. OPEN CIRCUIT VOLTAGE	300			
INPUT VOLTAGE AT LAMP DROPOUT.....	60	104	120	138
INPUT WATTS	298			
RECOMMENDED FUSE (Amps).....	8	5	5	3
CORE and COIL				
Dimension (A)	1.60			
Dimension (B)	3.15			
Weight (lbs.)	8			
Lead Lengths	TERM"			
CAPACITOR REQUIREMENT				
Microfarads	15.0			
Volts (min.)	400			
Fault Current Withstand (amps)				
60 Hz TEST PROCEDURES (Refer to Advance Test Procedure for HID Ballasts - Form 1270)				
High Potential Test (Volts)				
1 minute	2000			
2 seconds	2500			
Open Circuit Voltage Test (Volts)	270-330			
Short-Circuit Current Test (Amps)				
Secondary Current	2.25-2.75			
Input Current.....	1.90-2.70	1.10-1.70	0.95-1.35	0.80-1.20

Capacitor: 7C150P40-R



Capacitance: 15
Dia/Oval Dim: 1.75
Height: 3.75
Temp Rating: 105°C

Wiring Diagram:

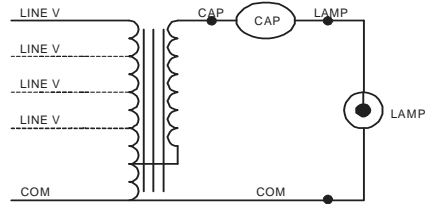


Fig. A

Ordering Information

Order Suffix	Description
001D	STANDARD IC PACK WITH DRY CAP - NO FLAG TERMINALS

Ignitor: NA

This ballast does not require the use of an ignitor.

Data is based upon tests performed by Advance Transformer in a controlled environment and representative of relative performance. Actual performance can vary depending on operating conditions. Specifications are subject to change without notice.

ADVANCE TRANSFORMER CO.

O'HARE INTERNATIONAL CENTER · 10275 WEST HIGGINS ROAD · ROSEMONT, IL 60018
Customer Support/Technical Service: Phone: 800-372-3331 · Fax: 847-768-7768
Corporate Offices: Phone: 800-322-2086

10/26/09