

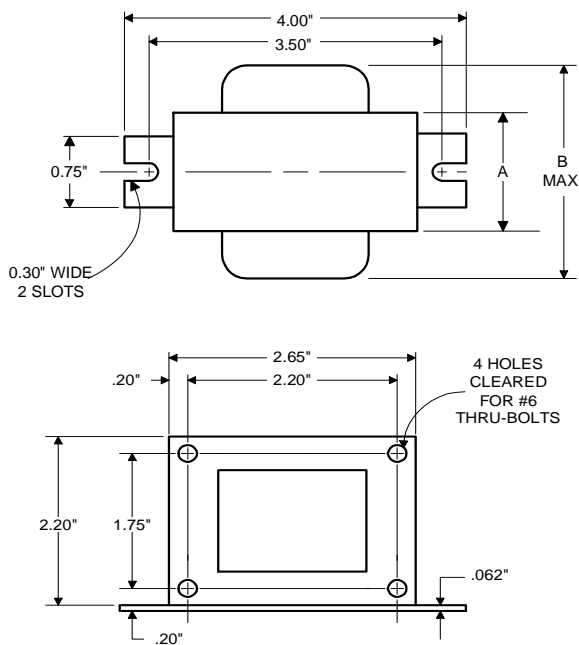
PHILIPS ADVANCE

High Pressure Sodium Lamp Ballast

Catalog Number 71A8007
For 100W S54
60 Hz R-HPF
Status: Active

DIMENSIONS AND DATA

2 5/8 X 2 3/16 CORE



INPUT VOLTS	120				
CIRCUIT TYPE	R-HPF				
POWER FACTOR (min)	90%				
REGULATION					
Line Volts	±5%				
Lamp Watts	WITHIN TRAPEZOID				
LINE CURRENT (Amps)					
Operating.....	1.05				
Open Circuit.....	1.80				
Starting.....	1.50				
UL TEMPERATURE RATINGS					
Insulation Class	H(180°C)				
Coil Temperature Code	1029				
MIN. AMBIENT STARTING TEMP.	-40°F or -40°C				
NOM. OPEN CIRCUIT VOLTAGE	120				
INPUT VOLTAGE AT LAMP DROPOUT.....	96				
INPUT WATTS	115				
RECOMMENDED FUSE (Amps).....	5				
CORE and COIL					
Dimension (A)	1.50				
Dimension (B)	2.80				
Weight (lbs.)	3				
Lead Lengths	12"				
CAPACITOR REQUIREMENT					
Microfarads	36.0				
Volts (min.)	120				
Fault Current Withstand (amps)					
60 Hz TEST PROCEDURES (Refer to Advance Test Procedure for HID Ballasts - Form 1270)					
High Potential Test (Volts)					
1 minute	2000				
2 seconds	2500				
Open Circuit Voltage Test (Volts)	114-126				
Short-Circuit Current Test (Amps)					
Secondary Current	2.40-3.60				
Input Current.....	1.00-1.60				

Capacitor: 7C360M12RA



Capacitance: 36
Dia/Oval Dim: 1.65
Height: 2.75
Temp Rating: 105°C

Wiring Diagram:

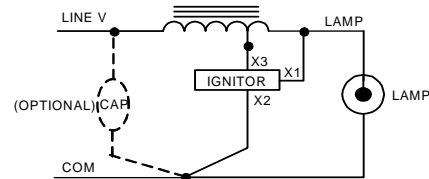


Fig. G

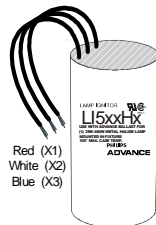
Ordering Information

Order Suffix

Description

Ignitor:

LI551-H4



Red (X1)
White (X2)
Blue (X3)

Ballast to Lamp Distance
(BTL) = 2 feet
Temp Rating: 105°C

Data is based upon tests performed by Philips Lighting Electronic N.A. in a controlled environment and representative of relative performance. Actual performance can vary depending on operating conditions. Specifications are subject to change without notice.

Philips Lighting Electronic N.A.

10275 West Higgins Road · Rosemont, IL 60018 · Tel:800-322-2086 Fax:888-432-1882
Customer Support/ Technical Service:800-372-3331 · OEM Support: 866-915-5886

08/09/13