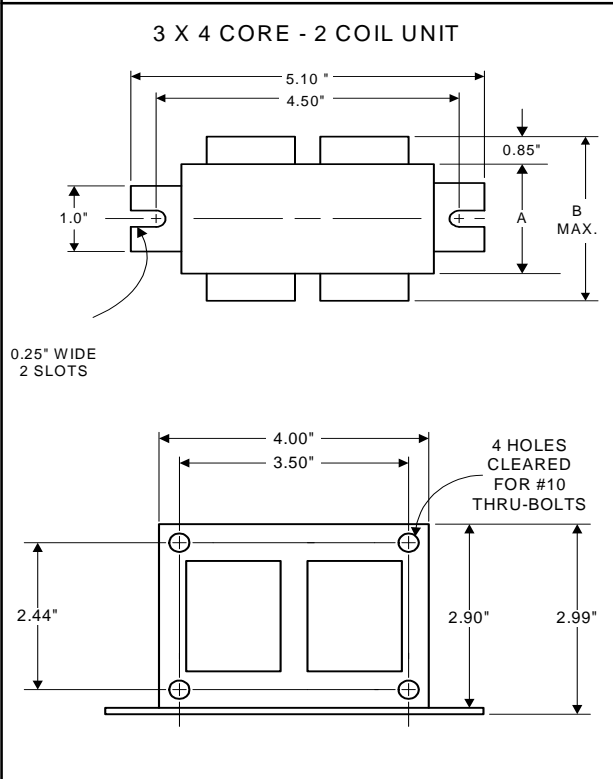


# PHILIPS ADVANCE

## High Pressure Sodium Lamp Ballast

Catalog Number 71A8091  
For 100W S54  
60 Hz HX-HPF  
Status: Active

### DIMENSIONS AND DATA

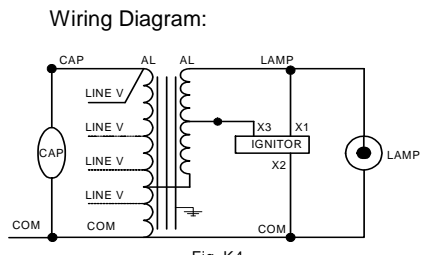


	120	208	240	277
INPUT VOLTS				
CIRCUIT TYPE	HX-HPF			
POWER FACTOR (min)	90%			
REGULATION				
Line Volts	±5%			
Lamp Watts	WITHIN TRAPEZOID			
LINE CURRENT (Amps)				
Operating.....	1.15	0.67	0.58	0.50
Open Circuit.....	2.20	1.25	1.10	0.85
Starting.....	0.75	0.45	0.37	0.30
UL TEMPERATURE RATINGS				
Insulation Class	H(180°C)			
Coil Temperature Code	1029			
MIN. AMBIENT STARTING TEMP.	-40°F or -40°C			
NOM. OPEN CIRCUIT VOLTAGE	125			
INPUT VOLTAGE AT LAMP DROPOUT.....	96	165	188	214
INPUT WATTS	135			
RECOMMENDED FUSE (Amps).....	7	5	3	3
CORE and COIL				
Dimension (A)	2.00			
Dimension (B)	3.45			
Weight (lbs.)	6.3			
Lead Lengths	12"			
CAPACITOR REQUIREMENT				
Microfarads	10.0			
Volts (min.)	280			
Fault Current Withstand (amps)				
60 Hz TEST PROCEDURES (Refer to Advance Test Procedure for HID Ballasts - Form 1270)				
High Potential Test (Volts)				
1 minute	2000			
2 seconds	2500			
Open Circuit Voltage Test (Volts)	110-130			
Short-Circuit Current Test (Amps)				
Secondary Current	2.60-3.30			
Input Current.....	0.60-0.90	0.35-0.55	0.30-0.45	0.29-0.43

Capacitor: 7C100M30RA



Capacitance: 10  
Dia/Oval Dim: 1.65  
Height: 2.75  
Temp Rating: 105°C



### Ordering Information

Ignitor: LI551-H4

Red (X1)  
White (X2)  
Blue (X3)

Ballast to Lamp Distance (BTL) = 2 feet  
Temp Rating: 105°C

Order Suffix	Description

Data is based upon tests performed by Philips Lighting Electronic N.A. in a controlled environment and representative of relative performance. Actual performance can vary depending on operating conditions. Specifications are subject to change without notice.