



# MR16/GU10/PAR16 LED

## 8.5MRX16/LED/F35 3000 DIM AF 10/1

Philips MR16 Dimmable LED Lamps provide ambient level light to illuminate hard to maintain applications. Increased transformer compatibility allows for operation on a wider range of transformers. Available in dimmable and non-dimmable versions, these lamps are ideal for track and open recessed fixtures in retail, hospitality and residential spaces.

### Product data

| General Information                   |                     |
|---------------------------------------|---------------------|
| Cap-Base                              | GU5.3 [ GU5.3]      |
| Nominal Lifetime (Nom)                | 25000 h             |
| Switching Cycle                       | 50000X              |
| Technical Type                        | 8.5-50W             |
| Light Technical                       |                     |
| Color Code                            | 830 [ CCT of 3000K] |
| Beam Angle (Nom)                      | 35 °                |
| Light Distribution                    | Medium beam 35°     |
| Initial lumen (Nom)                   | 660 lm              |
| Luminous Flux (Rated) (Nom)           | 660 lm              |
| Luminous Intensity (Nom)              | 1700 cd             |
| Color Designation                     | White (WH)          |
| Rated Beam Angle                      | 35 °                |
| Correlated Color Temperature (Nom)    | 3000 K              |
| Luminous Efficacy (Rated) (Nom)       | 78 lm/W             |
| Color Consistency                     | <6                  |
| Color Rendering Index (Nom)           | 80                  |
| LLMF At End Of Nominal Lifetime (Nom) | 70 %                |
| Luminous Flux in 90° Cone (Rated)     | 621 lm              |

| Operating and Electrical        |                |
|---------------------------------|----------------|
| Input Frequency                 | 60 Hz          |
| Power (Rated) (Nom)             | 8.5 W          |
| Lamp Current (Nom)              | 900 mA         |
| Wattage Equivalent              | 50 W           |
| Starting Time (Nom)             | 0.5 s          |
| Warm Up Time to 60% Light (Nom) | 0.5 s          |
| Power Factor (Nom)              | 0.7            |
| Voltage (Nom)                   | 12 V           |
| Temperature                     |                |
| T-Case Maximum (Nom)            | 105 °C         |
| Controls and Dimming            |                |
| Dimmable                        | Yes            |
| Approval and Application        |                |
| Energy star mark                | Energy star    |
| Suitable For Accent Lighting    | Yes            |
| Energy Efficiency Label (EEL)   | Not applicable |
| Energy Consumption kWh/1000 h   | 9 kWh          |

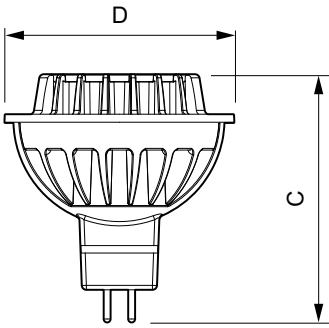
# MR16/GU10/PAR16 LED

## Product Data

|                               |                               |
|-------------------------------|-------------------------------|
| Order product name            | 8.5MRX16/F35 3000 DIM AF 10/1 |
| EAN/UPC - Product             | 046677457549                  |
| Order code                    | 457549                        |
| Numerator - Quantity Per Pack | 1                             |

|                                 |              |
|---------------------------------|--------------|
| Numerator - Packs per outer box | 10           |
| Material Nr. (12NC)             | 929001150204 |
| Net Weight (Piece)              | 0.045 kg     |

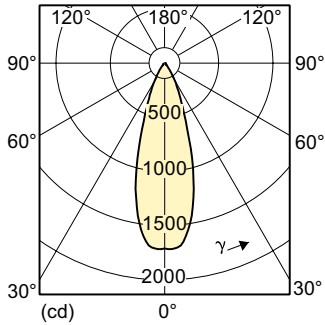
## Dimensional drawing



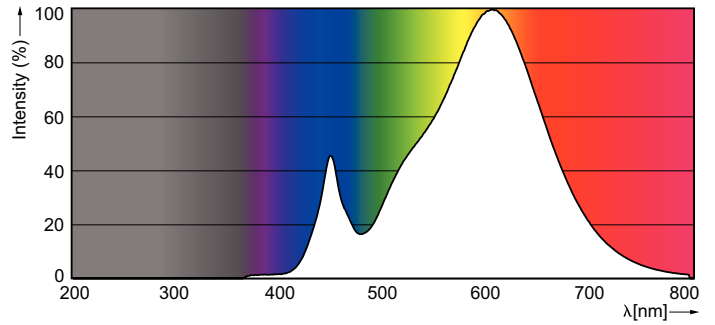
LED D 8-50W 830 MR16 36D

| Product                       | D     | C     |
|-------------------------------|-------|-------|
| 8.5MRX16/F35 3000 DIM AF 10/1 | 51 mm | 55 mm |

## Photometric data



8-50 W GU5.3 /830 MR16 36D



8-50 W GU5.3 /830 MR16

