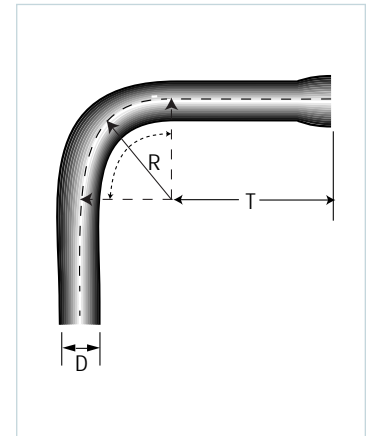


UL SPECIAL RADIUS 90° ELBOWS

c/w Solvent Bell End

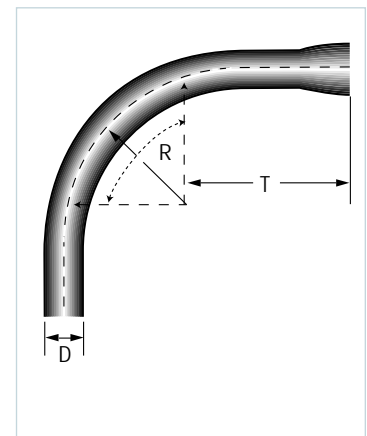
Size (inches)	Part Number	Product Code	D (inches)	T (inches)	R (inches)
2	NSL 2-24	068725	2.375	2.000	24.00
2	NSL 2-36	068765	2.375	2.000	36.00
3	NSL 3-24	068727	3.500	3.125	24.00
3	NSL 3-36	068767	3.500	3.125	36.00
4	NSL 4-36	068769	4.500	3.375	36.00
4	NSL 4-48	068789	4.500	3.375	48.00
5	NSL 5-36	068771	5.563	3.625	36.00
6	NSL 6-36	068772	6.625	3.370	36.00

Note: Other sizes are available and in stock. Consult your IPEX price list.



UL 90° ELBOWS

Size (inches)	Pro/code Bell End	Pro/code Plain End	D (inches)	T (inches)	R (inches)
1/2	068420	068580	0.840	1.500	4.00
3/4	068421	068581	1.050	1.500	4.50
1	068422	068582	1.315	1.875	5.75
1-1/4	068423	068583	1.660	2.000	7.25
1-1/2	068424	068584	1.900	2.000	8.25
2	068425	056858	2.375	2.000	9.50
2-1/2	068426	068586	2.875	3.000	10.50
3	068427	068587	3.500	3.125	13.00
3-1/2	068428	068588	4.000	3.250	15.00
4	068429	068589	4.500	3.375	16.00
5	068430	068591	5.563	3.625	24.00
6	068431	068592	6.625	3.750	36.00



LISTINGS

Scepter Rigid PVC Conduit conforms to these standards:

CSA C22.2 No. 211.2, CSA C22.2 No. 211.0

UL Listed - UL651

Sunlight Resistant

Rated for use with 90°C conductors

NEMA TC2

Corps. of Engineers Spec. CE 303:01

Military Spec, Federal Spec. WC 1094A

Scepter Rigid PVC boxes and fittings conform to these standards:

C22.2 No. 85

UL Listed

UL514B - UL514C



NRTL/C indicator adjacent to the CSA mark signifies that the product has been evaluated to the applicable ANSI/UL and CSA Standards, for use in the U.S. and Canada.

NRTL, Nationally Recognized Testing Laboratory, is a designation granted by the U.S. Occupational Safety and Health Administration (OSHA) to laboratories which have been recognized to perform certification to U.S. Standards.

APPROVALS

National Electrical Code, NEC 1999 Article 347, NEC 2002 Article 352

Canadian Electrical Code, Part 1. Rules 12-1100 – 12-1122

SAMPLE SHORT FORM SPECIFICATIONS

All wiring shall be installed in Rigid PVC conduit and secured to PVC boxes and cabinets by means of proper fittings. All boxes, access fittings and covers shall be furnished with threaded brass inserts, brass screws and PVC gaskets.

Rigid PVC fittings and junction boxes shall be used for all outlets, pull boxes and junction points. All PVC junction boxes shall be NEMA 1, 2, 3, 4, 4X, 6P, 12 and 13 rated and UL Listed for wet locations.

Exposed conduit shall be securely held in place by suitable hangers or straps with the maximum spacing of points for supports not exceeding those specified in the NEC. Except when embedded in concrete, rigid conduit pipe shall not be clamped tightly. It shall be supported in such a manner as to permit adequate linear movement, allowing for expansion and contraction of conduit due to temperature change. Where a temperature change exceeding 25°F is anticipated, or a length is expected to be 1/4" or greater in a straight line between securely mounted items, rigid PVC expansion joints shall be installed in accordance with the manufacturer's recommendations.

Proper care shall be taken when field bending, to maintain the internal diameter and wall thickness of the conduit.

The contractor shall furnish and install Scepter Rigid PVC conduit pipe and fittings made by IPEX. Where the engineer's specifications indicate Scepter products or equivalent, the equivalent shall be UL certified and accepted by the National Electrical Code. Due to broad manufacturing tolerances, all pipe and fitting products shall be of the same manufacturer.