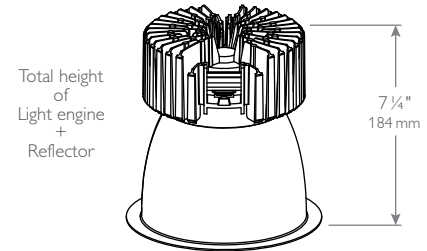


Blend performance & comfort in a downlight.

C6L-DL-VB CALCULITE LED 6" ROUND DOWNLIGHT



PHILIPS LIGHTOLIER, CALCULITE, PROFESSIONAL-GRADE DOWNLIGHTING, LED 6" ROUND APERTURE DOWNLIGHT, MEDIUM 1000/1500/2000LM, WIDE 1500/2000LM, C6L-DL-VB

Calculite LED 6" features an LED array of high brightness white light LEDs. The new LED boards in Calculite LED ensure a less than 2-step SDCM color variation between luminaires.

Complete product = Frame-in kit + Trim kit
Lumen package for the frame-in kit must match the trim kit.

Project: _____
 Location: _____
 Catalog No: _____
 Fixture Type: _____
 Mfg: _____ Lamps: _____ Qty: _____
 Notes: _____

Frame-in kit

example: C6L10NUVBZ10V

Series	Lumens	Installation	Input voltage	Version	Dimming	Options ¹
<input type="checkbox"/>	<input type="checkbox"/>	<input type="checkbox"/>	<input type="checkbox"/>	VB	<input type="checkbox"/>	<input type="checkbox"/>
C6L Calculite 6" LED round aperture	05 500lm 10 1000lm	N New construction	U Universal (120/277V)	VB Version B	Z10V 0-10V dimming LD Lutron driver	LC Chicago Plenum
	15 1500lm	N New construction R Remodeler	U Universal (120/277V)	VB Version B	Z10V 0-10V dimming LD Lutron driver	EM Emergency ⁴ LC Chicago Plenum
	20 2000lm	N New construction R Remodeler	1 120V 2 277V	VB Version B	Z10V 0-10V dimming LD Lutron driver	EM Emergency ⁴ LC Chicago Plenum
	05 500lm 15 1500lm 10 1000lm 20 2000lm	N New construction R Remodeler ²	1 120V	VB Version B	Z10V 0-10V dimming	-347 347V ⁶
CUL Calculite LED Universal aperture	15 1500lm	J J-box mount retrofit	U Universal (120/277V)	VB Version B	Z10V 0-10V dimming Existing wiring will determine if dimming is an option.	
	20 2000lm	J J-box mount retrofit	1 120V 2 277V	VB Version B	Z10V 0-10V dimming Existing wiring will determine if dimming is an option.	
	15 1500lm 20 2000lm	S Screw-in base retrofit	1 120V	VB Version B	Existing wiring will determine if dimming is an option.	

Trim kit

example: C6L1520DL35KWCCDPVB

Series	Lumens	Style	CCT	Beam	Reflector	Flange	Version ⁴
C6L	<input type="checkbox"/>	DL	<input type="checkbox"/>	<input type="checkbox"/>	<input type="checkbox"/>	<input type="checkbox"/>	VB
C6L Calculite 6" LED round aperture	05 500lm 10 1000lm 1520 1500-2000lm	DL Downlight	27K 2700K 30K 3000K 35K 3500K 40K 4000K	M Medium, 0.8 s.c. ¹ W Wide, 1.1 s.c. ⁵	CL Clear CCL Comfort clear CCD Comfort clear diffuse CCZ Champagne bronze WH White (painted)	W White (painted) P Polished (matches aperture) FT Flangeless (flush-mount) ^{1,3}	VB Version B

- Available for new construction (**N**) installation frame-in kits only.
 - Available for 1500 and 2000 (**15** or **20**) lumen frame-in kits only.
 - Accessory **CA6FMR** required for gypsum applications (minimal 1/4" reflector flange).
 - Consult LED-EM spec sheet for **EM** option details and restrictions.
 - Available for 1500-2000 (**1520**) lumen trim kits only.
 - Consult factory for availability of other 347V fixture configurations.
- NOTE:** See page 3 for Energy Star® compatibility.



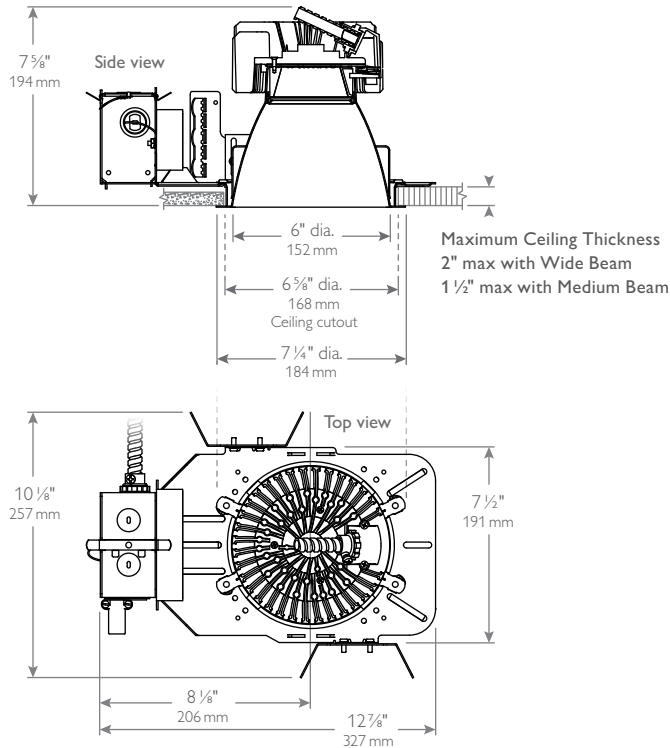
CA6FMR
Flangeless trim with plaster ring accessory.
(Recommended for gypsum installations)



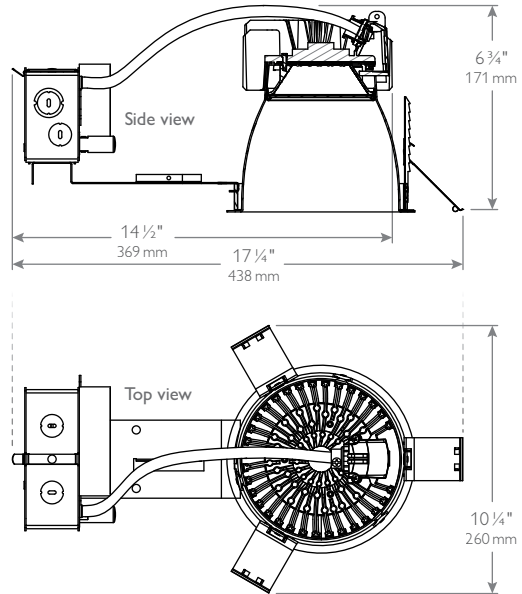
PHILIPS
LIGHTOLIER

C6L-DL-VB CALCULITE LED 6" ROUND DOWNLIGHT

New Construction



Remodeler



Frame-in kits

New construction

Mounting frame: Galvanized stamped steel for dry or plaster ceilings.

Vertical adjustment: Light engine adjusts in frame below ceilings up to 1 1/8".

Mounting brackets: Galvanized Steel. Adjustable through aperture. Use 3/4" or 1 1/2" lathing channel, 1/2" EMT or optional mounting bars.

Remodeler

Compatibility: Wide beam flanged downlight only.

Power pack: Swivel junction box for tight plenum spaces. Snap-off covers permits wiring from top.

Spring holder: Galvanized steel. Accepts up to 2 1/2" (64mm) ceiling thickness.

Retrofit

Compatibility: Wide beam downlight only.

Capability: Converts 6" (153mm) or 7" (178mm)

Lightolier incandescent frame-in kit without additional wiring using existing Calculite E26 base.

Socket cup support: Spun steel.

Holds Calculite incandescent socket cup.

Socket extender: Phenolic E26 base.

Connect to existing lampholder.

Quick-ship

Philips is committed to providing customers with the products they need when they need them.

Service Smart

Two-day quick-ship

Frame-in kits
C6L20N1VBZ10V
C6L15NUVBZ10V

Spec Smart

Two-week quick-ship

Frame-in kits
C6L15NUVB LD
C6L15NUVBZ10VEM
C6L15NUVBZ10VLC
C6L20N1VB LD
C6L20N1VBZ10VEM
C6L20N1VBZ10VLC
C6L20N2VBZ10V
C6L20N2VBZ10VEM

Trim kits

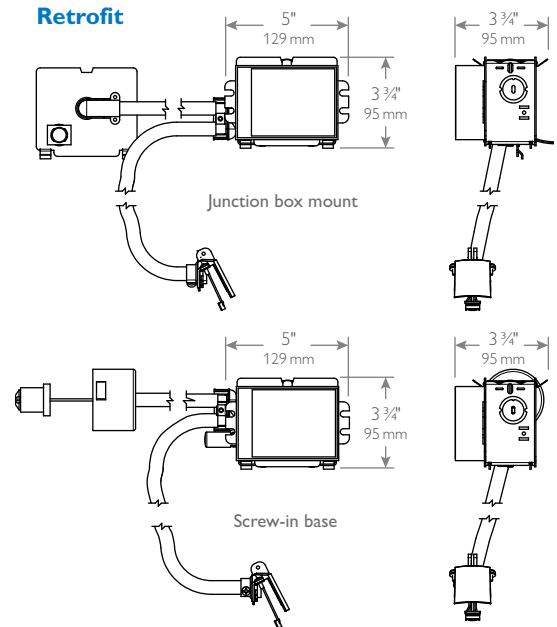
None available

Trim kits

C6L1520DL30KMCCLWVB
C6L1520DL30KWCCCLWVB
C6L1520DL35KMCCLWVB
C6L1520DL35KWCCCLWVB

Quick-ship SKUs apply to the United States only.

Retrofit

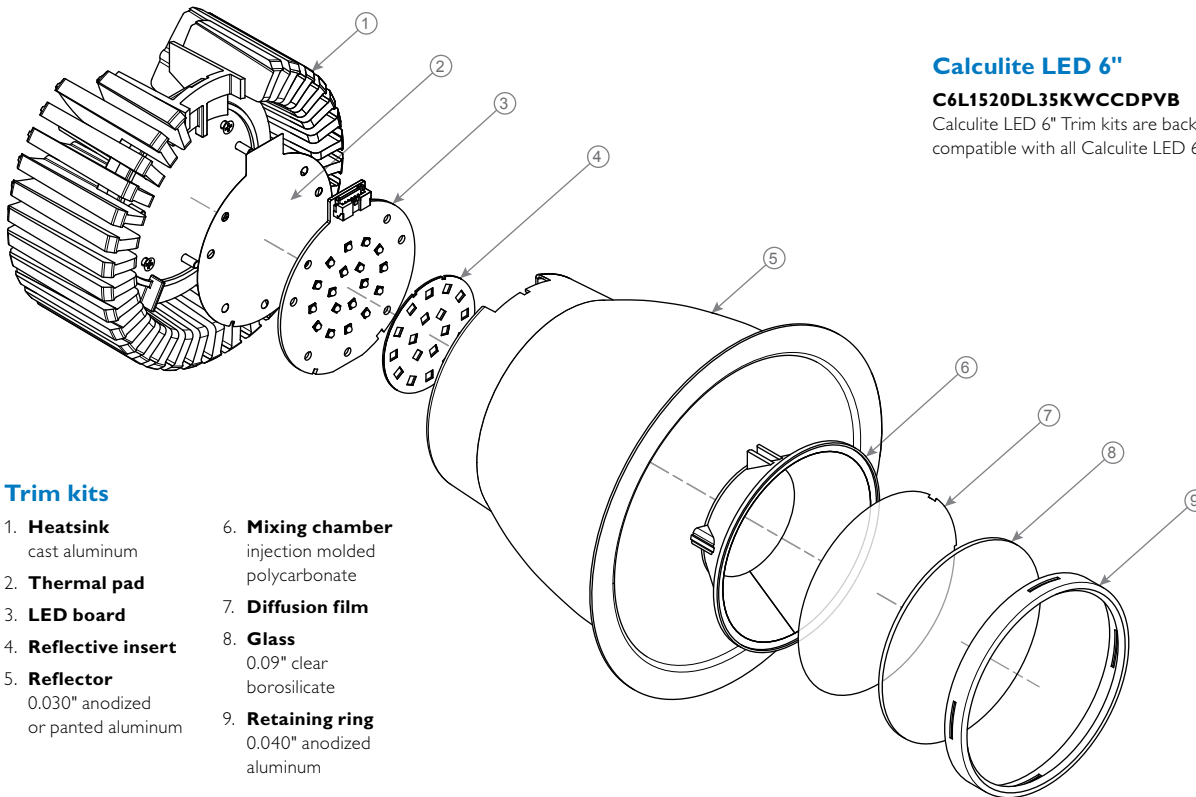


C6L-DL-VB CALCULITE LED 6" ROUND DOWNLIGHT

Calculite LED 6"

C6L1520DL35KWCCDPVB

Calculite LED 6" Trim kits are backwards compatible with all Calculite LED 6" Frame-in Kits.



Trim kits

1. **Heatsink**
cast aluminum
2. **Thermal pad**
3. **LED board**
4. **Reflective insert**
5. **Reflector**
0.030" anodized
or painted aluminum
6. **Mixing chamber**
injection molded
polycarbonate
7. **Diffusion film**
8. **Glass**
0.09" clear
borosilicate
9. **Retaining ring**
0.040" anodized
aluminum

Features

Ceiling cutout: 6" aperture; 6 5/8" (167mm).
Depth: 7 1/4" (184mm) including light engine.
Power connection: Attaches to light engine via push-in connector (on frame). Removable cover provides access.
Junction box: UL listed for 8 No. 12 AWG, 90°C through branch circuit connectors. Allows inspection from below.
Thermal protector: Meets NEC & UL requirements. Do not install insulation above or within 3" of luminaire.
Thermal Management: Heat sink and thermal design along with the clean room assembly process ensures specified performance levels are maintained.

Options and accessories

Dimming capability: 0-10V or Lutron dimming. See LED-DIM specification sheet.
Emergency capability: Inverter; See LED-LMI specification sheet. Integral; Add "EM" suffix. See LED-EM spec sheet.
Sloped ceilings: Compatible with slope ceiling adaptors. See specification sheet SCA.
 Round apertures require SCAHID accessory.
Mounting bars: 1950-18" (set of 2) 1951-27" (set of 2)
T-Bar anchor clips: 1956 (set of 4), for use with above.

ENERGY STAR®

All new construction (N) frame-in and trim kit configurations are certified except for the following:
 - Frame-in Kits: Universal voltage options used in 277V configurations; C6L10NUVBZ10V and 500 lumen configurations (C6L05NUVBxxxLC, C6L05x1VBZ10V-347)
 - Trim Kits: Champagne bronze reflector finishes; C6L10DL--KMCCZ..., C6L1520DL--KMCCZ..., C6L1520DL--KWCCZ... and 500 lumen configurations (C6L05DLxxKxxxxxVB)
 - All emergency (EM) configurations.
 - All 347V configurations.

Labels

cULus, I.B.E.W.
 Suitable for wet locations.
 5 year warranty.
 ENERGY STAR® certified
 (see exclusions to the left).

Electrical

Electronic power supply: 120 or 277V, 50/60Hz, enclosed, overload and short circuit protected, thermal regulation to protect against overheating, sound rating "A", -20°C minimum starting temperature, 35°C maximum ambient environment.
Rated life: 60,000 hrs at 70% lumen maintenance based on IES LM-80-08 and TM-21-11.

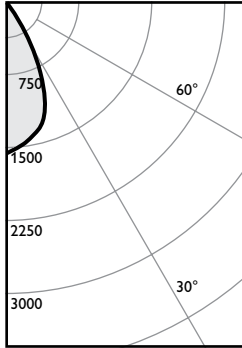
Frame-In kit Electrical specifications	Input volts	Input freq.	Input current	LED drive current	Input power*	LED power	THD factor	Power factor
C6L10_VBZ10V 1000lm w/0-10V dimming	120V	50/60Hz	0.12A	350mA	14W	11W	<20%	>0.9
	277V	50/60Hz	0.62A	350mA	14W	11W	<20%	>0.8
C6L15_VBZ10V 1500lm w/0-10V dimming	120V	50/60Hz	0.17A	350mA	21W	18W	<20%	>0.9
	277V	50/60Hz	0.08A	350mA	21W	18W	<20%	>0.9
C6L20_VBZ10V 2000lm w/0-10V dimming	120V	50/60Hz	0.26A	520mA	32W	26W	<20%	>0.9
	277V	50/60Hz	0.12A	520mA	33W	26W	<20%	>0.9

* +/- 5%

C6L-DL-VB CALCULITE LED 6" ROUND DOWNLIGHT

15W LED, 3500K, Medium 1000 lumen

Candela Curve



Frame: **C6L10NUVBZ10V**
Trim: **C6L10DL35KMCLWVB**

CCT¹: 3500K
Output lumens: 1037 lms
Input watts²: 14.6 W
Efficacy: 71.0 lm/w
CRI: 80 min
Spacing Crit.: 0.8
Report no³: F31442

Zonal summary

Zone	Lumens	%Luminaire
0-30	873	84.2%
0-40	1014	97.8%
0-60	1036	99.9%
0-90	1037	100.0%

Angle	Mean CP	Lumens
0	1550	
5	1499	143
10	1420	
15	1334	368
20	1147	
25	825	363
30	438	
35	216	141
40	85	
45	18	21
50	2	
55	1	1
60	1	
65	1	1
70	0	
75	0	0
80	0	
85	0	0
90	0	

Single unit data

Height to lighted plane	Initial center beam foot-candles	Beam diameter (ft)*
5'	62	4.0'
6'	43	4.8'
7'	32	5.6'
8'	24	6.4'
9'	19	7.2'

* Beam diameter is where foot-candles drop to 50% of maximum.

Multiple unit data - RCR 2

Spacing on center	Initial center beam foot-candles	Watts per sq. ft.
5'	48.1	0.65
6'	31.6	0.42
7'	22.5	0.30
8'	18.8	0.25
9'	15.0	0.20

38'x38'x10' Room, Workplane 2 1/2' above floor, 80/50/20% Reflectances

Finish Adjust. factors

CL = 100%
CCL = 95%
CCD = 87%
CCZ = 63%
WH = 87%

CCT Adjust. factors

4000K = 103%
3500K = 100%
3000K = 97%
2700K = 87%

Coefficients of utilization

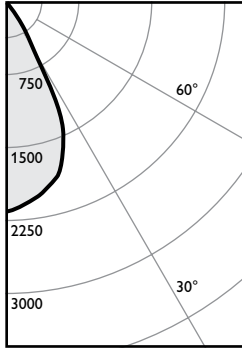
Ceiling	80%				70%				50%				30%		0%
	70	50	30	10	50	10	50	10	50	10	50	10	50	10	0
Wall	70	50	30	10	50	10	50	10	50	10	50	10	50	10	0
RCR	Zonal cavity method - Effective floor reflectance = 20%														
Room Cavity Ratio	0	119	119	119	119	116	116	111	111	106	106	100			
	1	114	111	109	107	109	105	105	102	102	99	95			
	2	109	105	101	98	103	97	100	95	97	93	89			
	3	104	98	94	90	97	90	95	88	92	87	84			
	4	100	93	88	84	92	84	90	83	88	82	79			
	5	95	88	83	79	87	78	85	78	84	77	75			
	6	91	83	78	74	82	74	81	73	80	73	71			
	7	87	79	73	70	78	69	77	69	76	69	67			
	8	83	75	70	66	74	66	73	65	72	65	64			
	9	80	71	66	62	71	62	70	62	69	62	60			
	10	77	68	63	59	68	59	67	59	66	59	57			

1. Correlated Color Temperature within specs as defined in ANSI_NEMA_ANSI C78.377-2008: Specifications for the Chromaticity of Solid State Lighting Products.
2. Wattage controlled to within 5%.
3. Tested using absolute photometry as specified in LM79: IESNA Approved Method for the Electrical and Photometric Measurements of Solid-State Lighting Products.

C6L-DL-VB CALCULITE LED 6" ROUND DOWNLIGHT

21W LED, 3500K, Medium 1500 lumen

Candela Curve



Frame: C6L15NUVBZ10V
Trim: C6L1520DL35KMCLWVB

CCT¹: 3500K
Output lumens: 1535 lms
Input watts²: 21.4 W
Efficacy: 71.7 lm/w
CRI: 80 min
Spacing Crit.: 0.8
Report no³: 120GFR

Zonal summary

Zone	Lumens	%Luminaire
0-30	1294	84.3%
0-40	1504	98.0%
0-60	1535	100.0%
0-90	1535	100.0%

Angle Mean CP Lumens

Angle	Mean CP	Lumens
0	2170	
5	2107	201
10	2022	
15	1908	530
20	1710	
25	1352	563
30	633	
35	325	209
40	131	
45	24	29
50	3	
55	2	1
60	1	
65	0	0
70	0	
75	0	0
80	0	
85	0	0
90	0	

Single unit data

Height to lighted plane	Initial center beam foot-candles	Beam diameter (ft)*
5'	87	4.0'
6'	60	4.8'
7'	44	5.6'
8'	34	6.4'
9'	27	7.2'

* Beam diameter is where foot-candles drop to 50% of maximum.

Multiple unit data - RCR 2

Spacing on center	Initial center beam foot-candles	Watts per sq. ft.
5'	71.2	0.95
6'	46.8	0.62
7'	33.4	0.44
8'	27.8	0.37
9'	22.3	0.30

38'x38'x10' Room, Workplane 2 1/2' above floor, 80/50/20% Reflectances

Finish Adjust. factors

CL = 100%
CCL = 95%
CCD = 87%
CCZ = 63%
WH = 87%

CCT Adjust. factors

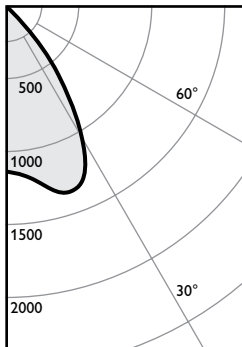
4000K = 103%
3500K = 100%
3000K = 97%
2700K = 87%

Coefficients of utilization

Ceiling	80%				70%				50%				30%				0%
	70	50	30	10	50	10	50	10	50	10	50	10	50	10	50	10	0
RCR	Zonal cavity method - Effective floor reflectance = 20%																
Room Cavity Ratio	0	119	119	119	119	116	116	111	111	106	106	106	106	106	106	100	
1	114	112	109	107	109	105	105	102	102	102	99	99	95	95	95	89	
2	109	105	101	98	103	97	100	95	97	93	89	89	89	89	89	84	
3	104	98	94	90	97	90	94	88	92	87	84	84	84	84	84	84	
4	100	93	88	84	92	83	90	82	88	82	79	79	79	79	79	79	
5	95	88	82	78	87	78	85	77	83	77	75	75	75	75	75	75	
6	91	83	77	74	82	73	81	73	79	72	71	71	71	71	71	71	
7	87	79	73	69	78	69	77	69	76	68	67	67	67	67	67	67	
8	83	75	69	65	74	65	73	65	72	65	63	63	63	63	63	63	
9	80	71	66	62	70	62	70	62	69	61	60	60	60	60	60	60	
10	76	68	62	59	67	59	66	58	66	58	57	57	57	57	57	57	

21W LED, 3500K, Wide 1500 lumen

Candela Curve



Frame: C6L15NUVBZ10V
Trim: C6L1520DL35KWCLWVB

CCT¹: 3500K
Output lumens: 1614 lms
Input watts²: 21.4 W
Efficacy: 75.4 lm/w
CRI: 80 min
Spacing Crit.: 1.1
Report no³: 122GFR

Zonal summary

Zone	Lumens	%Luminaire
0-30	1061	65.7%
0-40	1513	93.7%
0-60	1612	99.9%
0-90	1614	100.0%

Angle Mean CP Lumens

Angle	Mean CP	Lumens
0	1146	
5	1167	115
10	1226	
15	1319	372
20	1352	
25	1279	573
30	1057	
35	736	452
40	409	
45	83	95
50	6	
55	4	4
60	2	
65	2	2
70	1	
75	1	1
80	0	
85	0	0
90	0	

Single unit data

Height to lighted plane	Initial center beam foot-candles	Beam diameter (ft)*
5'	46	5.5'
6'	32	6.6'
7'	23	7.7'
8'	18	8.8'
9'	14	9.9'

* Beam diameter is where foot-candles drop to 50% of maximum.

Multiple unit data - RCR 2

Spacing on center	Initial center beam foot-candles	Watts per sq. ft.
5'	73.4	0.95
6'	48.1	0.62
7'	34.4	0.44
8'	28.7	0.37
9'	22.9	0.30

38'x38'x10' Room, Workplane 2 1/2' above floor, 80/50/20% Reflectances

Finish Adjust. factors

CL = 100%
CCL = 95%
CCD = 87%
CCZ = 63%
WH = 87%

CCT Adjust. factors

4000K = 103%
3500K = 100%
3000K = 97%
2700K = 87%

Coefficients of utilization

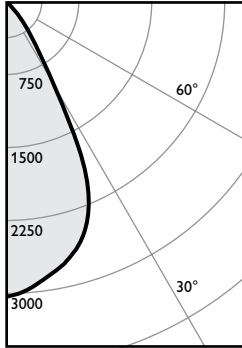
Ceiling	80%				70%				50%				30%				0%
	70	50	30	10	50	10	50	10	50	10	50	10	50	10	50	10	0
RCR	Zonal cavity method - Effective floor reflectance = 20%																
Room Cavity Ratio	0	119	119	119	119	116	116	111	111	106	106	106	106	106	106	100	
1	113	111	108	106	108	104	104	101	101	101	98	98	95	95	93	86	
2	108	102	98	95	101	94	98	92	95	90	86	86	86	86	86	86	
3	102	95	90	86	94	85	91	84	89	83	80	80	80	80	80	80	
4	96	88	83	78	87	78	85	77	83	76	74	74	74	74	74	74	
5	91	82	76	72	81	71	80	71	78	70	68	68	68	68	68	68	
6	86	77	71	66	76	66	74	65	73	65	63	63	63	63	63	63	
7	81	72	65	61	71	61	70	61	69	60	58	58	58	58	58	58	
8	77	67	61	57	67	56	65	56	64	56	54	54	54	54	54	54	
9	73	63	57	53	62	53	62	52	61	52	51	51	51	51	51	51	
10	69	59	53	49	59	49	58	49	57	49	47	47	47	47	47	47	

1. Correlated Color Temperature within specs as defined in ANSI_NEMA_ANSI C78.377-2008: Specifications for the Chromaticity of Solid State Lighting Products.
2. Wattage controlled to within 5%.
3. Tested using absolute photometry as specified in LM79: IESNA Approved Method for the Electrical and Photometric Measurements of Solid-State Lighting Products.

C6L-DL-VB CALCULITE LED 6" ROUND DOWNLIGHT

32W LED, 3500K, Medium 2000 lumen

Candela Curve



Frame: C6L20N1VBZ10V
Trim: C6L1520DL35KMCLWVB

CCT¹: 3500K
Output lumens: 2146 lms
Input watts²: 32.2 W
Efficacy: 66.6 lm/w
CRI: 80 min
Spacing Crit.: 0.8
Report no³: 121GFR

Zonal summary

Zone	Lumens	%Luminaire
0-30	1808	84.2%
0-40	2101	97.9%
0-60	2145	100.0%
0-90	2146	100.0%

Angle Mean CP Lumens

Angle	Mean CP	Lumens
0	3033	
5	2946	281
10	2826	
15	2664	740
20	2387	
25	1888	787
30	886	
35	455	293
40	183	
45	34	41
50	4	
55	2	2
60	1	
65	1	1
70	0	
75	0	0
80	0	
85	0	0
90	0	

Single unit data

Height to lighted plane	Initial center beam foot-candles	Beam diameter (ft)*
5'	121	4.0'
6'	84	4.8'
7'	62	5.6'
8'	47	6.4'
9'	37	7.2'

* Beam diameter is where foot-candles drop to 50% of maximum.

Multiple unit data - RCR 2

Spacing on center	Initial center beam foot-candles	Watts per sq. ft.
5'	99.5	1.43
6'	65.3	0.94
7'	46.7	0.67
8'	38.9	0.56
9'	31.1	0.45

38'x38'x10' Room, Workplane 2 1/2' above floor, 80/50/20% Reflectances

Finish Adjust. factors

CL = 100%
CCL = 95%
CCD = 87%
CCZ = 63%
WH = 87%

CCT Adjust. factors

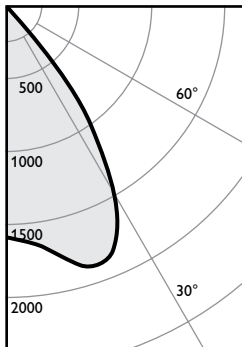
4000K = 103%
3500K = 100%
3000K = 97%
2700K = 87%

Coefficients of utilization

Ceiling	80%				70%				50%				30%				0%
	70	50	30	10	50	10	50	10	50	10	50	10	50	10	50	10	0
RCR	Zonal cavity method - Effective floor reflectance = 20%																
Room Cavity Ratio	0	119	119	119	119	116	116	111	111	106	106	106	106	106	106	100	
	1	114	111	109	107	109	105	105	102	102	99	99	95	95	95	95	
	2	109	105	101	98	103	97	100	95	97	93	89	89	89	89	89	
	3	104	98	94	90	97	90	94	88	92	87	84	84	84	84	84	
	4	100	93	88	84	92	83	90	82	88	81	79	79	79	79	79	
	5	95	88	82	78	87	78	85	77	83	77	75	75	75	75	75	
	6	91	83	77	74	82	73	81	73	79	72	71	71	71	71	71	
	7	87	79	73	69	78	69	77	69	76	68	67	67	67	67	67	
	8	83	75	69	65	74	65	73	65	72	65	63	63	63	63	63	
	9	80	71	66	62	70	62	70	62	69	61	60	60	60	60	60	
	10	76	68	62	59	67	59	66	58	66	58	57	57	57	57	57	

32W LED, 3500K, Wide 2000 lumen

Candela Curve



Frame: C6L20N1VBZ10V
Trim: C6L1520DL35KWCLWVB

CCT¹: 3500K
Output lumens: 2250 lms
Input watts²: 32.3 W
Efficacy: 69.7 lm/w
CRI: 80 min
Spacing Crit.: 1.1
Report no³: 123GFR

Zonal summary

Zone	Lumens	%Luminaire
0-30	1480	65.8%
0-40	2111	93.8%
0-60	2248	99.9%
0-90	2250	100.0%

Angle Mean CP Lumens

Angle	Mean CP	Lumens
0	1598	
5	1628	161
10	1710	
15	1841	519
20	1887	
25	1784	800
30	1476	
35	1026	630
40	570	
45	115	133
50	8	
55	5	4
60	3	
65	2	2
70	1	
75	1	1
80	0	
85	0	0
90	0	

Single unit data

Height to lighted plane	Initial center beam foot-candles	Beam diameter (ft)*
5'	64	5.5'
6'	44	6.6'
7'	33	7.7'
8'	25	8.8'
9'	20	9.9'

* Beam diameter is where foot-candles drop to 50% of maximum.

Multiple unit data - RCR 2

Spacing on center	Initial center beam foot-candles	Watts per sq. ft.
5'	102.3	1.43
6'	67.1	0.94
7'	47.9	0.67
8'	39.9	0.56
9'	32.0	0.45

38'x38'x10' Room, Workplane 2 1/2' above floor, 80/50/20% Reflectances

Finish Adjust. factors

CL = 100%
CCL = 95%
CCD = 87%
CCZ = 63%
WH = 87%

CCT Adjust. factors

4000K = 103%
3500K = 100%
3000K = 97%
2700K = 87%

Coefficients of utilization

Ceiling	80%				70%				50%				30%				0%
	70	50	30	10	50	10	50	10	50	10	50	10	50	10	50	10	0
RCR	Zonal cavity method - Effective floor reflectance = 20%																
Room Cavity Ratio	0	119	119	119	119	116	116	111	111	106	106	106	106	106	106	100	
	1	113	111	108	106	108	104	104	101	101	98	95	90	86	86	86	
	2	108	103	98	95	101	94	98	92	95	90	86	86	86	86	86	
	3	102	95	90	86	94	85	91	84	89	83	80	80	80	80	80	
	4	96	89	83	78	87	78	85	77	83	76	74	74	74	74	74	
	5	91	82	76	72	81	72	80	71	78	70	68	68	68	68	68	
	6	86	77	71	66	76	66	75	65	73	65	63	63	63	63	63	
	7	82	72	66	61	71	61	70	61	69	60	58	58	58	58	58	
	8	77	67	61	57	67	57	66	56	64	56	54	54	54	54	54	
	9	73	63	57	53	63	53	62	52	61	52	51	51	51	51	51	
	10	69	59	53	49	59	49	58	49	57	49	47	47	47	47	47	

1. Correlated Color Temperature within specs as defined in ANSI_NEMA_ANSI C78.377-2008: Specifications for the Chromaticity of Solid State Lighting Products.
2. Wattage controlled to within 5%.
3. Tested using absolute photometry as specified in LM79: IESNA Approved Method for the Electrical and Photometric Measurements of Solid-State Lighting Products.



© 2014 Koninklijke Philips N.V. All rights reserved.
Specifications are subject to change without notice.
www.philips.com/luminaires

C6L-DL-VB 01/15 page 6 of 6

Philips Lighting
North America Corporation
200 Franklin Square Drive
Somerset, NJ 08873
Phone: 855-486-2216

Philips Lighting Company
281 Hillmount Road
Markham ON, Canada L6C 2S3
Phone: 800-668-9008