

FEATURES & SPECIFICATIONS

INTENDED USE

The LED Décor round provides an attractive, low-cost, and energy-efficient lighting solution in residential and light commercial applications. Ideal for use in foyers, hallways, bedrooms, closets, offices, utility work areas, stairways and many other areas.

CONSTRUCTION

Deco-styled fixture with choice of white, brushed nickel or bronze housing and matching decorative center finial. Softly rounded, molded, white glass diffuser for a widespread, uniform illumination. Center finial provides easy access for cleaning and maintenance.

OPTICS

The 10" produces 960 lumens (3000K), the 14" 1570 lumens at 30,000 hours of life.

ELECTRICAL

Fixture operates at 120 volts, 60Hz. Standard input = 10": 20 watts, 48 lumens per watt; 14": 30 watts, 52 lumens per watt.

Actual wattage may differ by +/- 5% when operating at 120V +/- 10%.

Works with most standard incandescent dimmers (see list of approved dimmers).

INSTALLATION

All mounting hardware included.

LISTINGS

UL Certified to US and Canadian safety standards and listed suitable for damp locations. ENERGY STAR® certified.

WARRANTY

5-year limited warranty. Complete warranty terms located at www.acuitybrands.com/CustomerResources/Terms_and_conditions.aspx

Note: Actual performance may differ as a result of end-user environment and application. All values are design or typical values, measured under laboratory conditions at 25 °C. Specifications subject to change without notice.

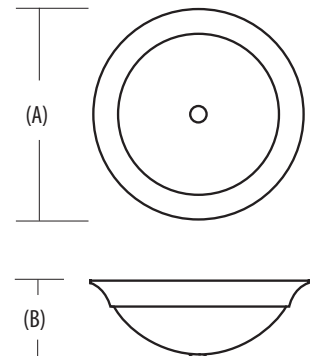
Catalog Number
Notes
Type

Decorative Indoor

LED Décor Round Flush Mount



ESSENTIALS COLLECTION



	Specifications	
	10"	14"
(A) Width:	9.6 (24.3)	14.1 (35.7)
(B) Extension*:	3.9 (9.8)	5.25 (13.3)
Weight:	2 lbs (.9 kg)	3.5 lbs (1.6 kg)

* Extension from ceiling.
All dimensions are inches (centimeters) unless otherwise indicated.

ORDERING INFORMATION

For shortest lead times, configure product using **bolded options**.

Example: FMDECL 10 14830 BN

Series	Module/CRI	Color Temperature	Finish
FMDECL 10 10" Flush mount LED Decor	148 > 80 CRI	40 4000K 35 3500K ¹	WH White BN Brushed nickel
FMDECL 14 14" Flush mount LED Decor	208 > 80 CRI	30 3000K 27 2700K ¹	BZ Bronze

Accessories/Replacement parts: Order as separate catalog number.	
DFMDECL 10	Glass diffuser, 10"
DFMDECL 14	Glass diffuser, 14"

Notes

¹ Minimum 90-day lead time for non-standard color temperatures; minimum 50 order quantity.

LED Decor Flush Mount

LIGHTING FACTS

LED lighting facts
A Program of the U.S. DOE

Light Output (Lumens) **958**
Watts **20**
Lumens per Watt (Efficacy) **47.9**

Color Accuracy
Color Rendering Index (CRI) **80**

Light Color
Correlated Color Temperature (CCT) **3000 (Bright White)**

2700K 3000K 4500K 6500K

Warm White Bright White Daylight

All results are according to IESNA LM-79-2008: Approved Method for the Electrical and Photometric Testing of Solid-State Lighting. The U.S. Department of Energy (DOE) verifies product test data and results.

Visit www.lightingfacts.com for the Label Reference Guide.

Registration Number: NJSM-LGT0EG (11/21/2014)
Model Number: FMDECL 10 14830
Type: Luminaire - Decorative

LED lighting facts
A Program of the U.S. DOE

Light Output (Lumens) **980**
Watts **20.08**
Lumens per Watt (Efficacy) **48.8**

Color Accuracy
Color Rendering Index (CRI) **80**

Light Color
Correlated Color Temperature (CCT) **4000 (Bright White)**

2700K 3000K 4500K 6500K

Warm White Bright White Daylight

All results are according to IESNA LM-79-2008: Approved Method for the Electrical and Photometric Testing of Solid-State Lighting. The U.S. Department of Energy (DOE) verifies product test data and results.

Visit www.lightingfacts.com for the Label Reference Guide.

Registration Number: NJSM-PUS2VL (11/21/2014)
Model Number: FMDECL 10 14840
Type: Luminaire - Decorative

LED lighting facts
A Program of the U.S. DOE

Light Output (Lumens) **1569**
Watts **30**
Lumens per Watt (Efficacy) **52.3**

Color Accuracy
Color Rendering Index (CRI) **80**

Light Color
Correlated Color Temperature (CCT) **3000 (Bright White)**

2700K 3000K 4500K 6500K

Warm White Bright White Daylight

All results are according to IESNA LM-79-2008: Approved Method for the Electrical and Photometric Testing of Solid-State Lighting. The U.S. Department of Energy (DOE) verifies product test data and results.

Visit www.lightingfacts.com for the Label Reference Guide.

Registration Number: NJSM-LCARLW (11/21/2014)
Model Number: FMDECL 14 20830
Type: Luminaire - Decorative

LED lighting facts
A Program of the U.S. DOE

Light Output (Lumens) **1465**
Watts **30**
Lumens per Watt (Efficacy) **48.83**

Color Accuracy
Color Rendering Index (CRI) **80**

Light Color
Correlated Color Temperature (CCT) **4000 (Bright White)**

2700K 3000K 4500K 6500K

Warm White Bright White Daylight

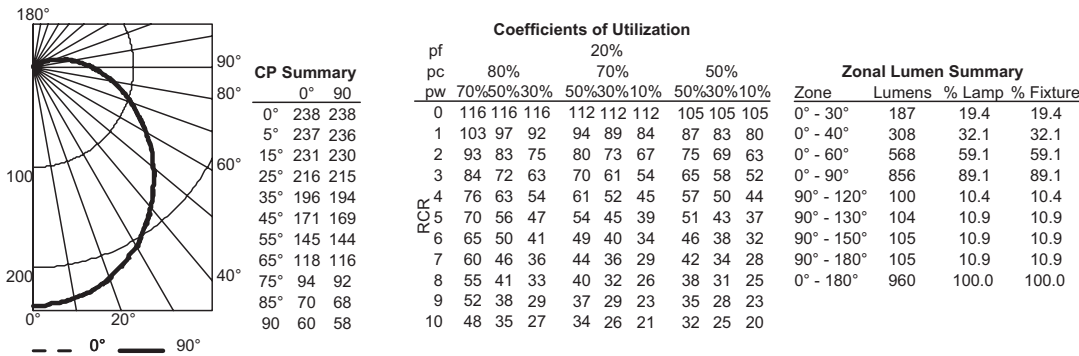
All results are according to IESNA LM-79-2008: Approved Method for the Electrical and Photometric Testing of Solid-State Lighting. The U.S. Department of Energy (DOE) verifies product test data and results.

Visit www.lightingfacts.com for the Label Reference Guide.

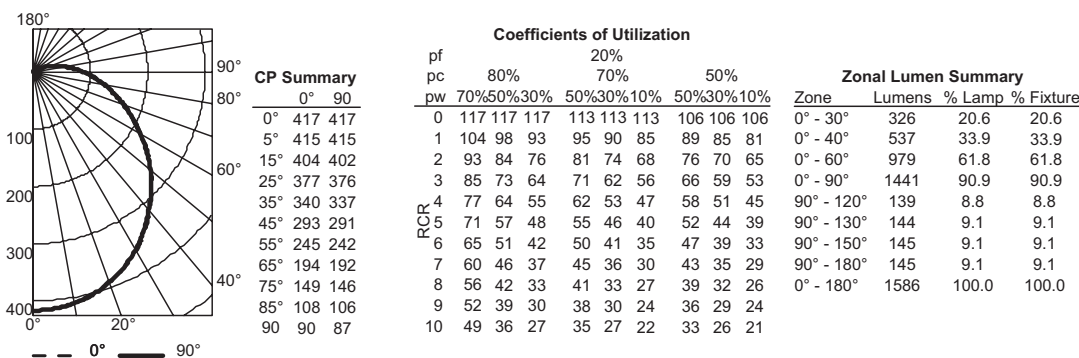
Registration Number: NJSM-SSHLBA (11/21/2014)
Model Number: FMDECL 14 20840
Type: Luminaire - Decorative

PHOTOMETRICS

FMDECL 10 14830 BZ, 958.76 delivered lumens, test no. LTL 26568S tested in accordance to IESNA LM-79.



FMDECL 14 20830 WH, 1569.27 delivered lumens, test no. LTL 26569S tested in accordance to IESNA LM-79.



SUGGESTED DIMMERS

The Decor is designed to operate with most standard Triac Based dimmers and is not compatible with 0-10v dimming systems. The following is a list of dimmers tested and does not imply any guarantee or warranty of compatibility with a particular application. Unlisted dimmers do not imply non-compatibility.

Manufacturer	Part number(s)
Lutron	CT-600P/CT-603P
	DV-600P/DV-603P
	CTCL-153P
	DVCL-153P
	AYCL-153P
Leviton	DVELV-300P
	R50-IPL06
Pass & Seymour	6615-P
	HCL453PTCCCV6