

|                |
|----------------|
| Catalog Number |
| Notes          |
| Type           |

## FEATURES & SPECIFICATIONS

**INTENDED USE** — Ideal one-for-one replacement of conventional lighting systems such as HID and fluorescent. Applications include manufacturing, warehousing and other large indoor spaces with mounting heights ranging from 10' – 40'. Luminaire shall be suspended a minimum 24" from ceiling. Surface mounting is not permitted. **Certain airborne contaminants can diminish integrity of acrylic.** [Click here for Acrylic Environmental Compatibility table for suitable uses.](#)

**CONSTRUCTION** — Lightweight aluminum heat sink designed to perform at warm ambient temperatures. Due to precision thermal engineering for maximum naturally convective cooling this fixture provides lumen droop that is less than fluorescent. Fabricated steel channel provides maximum rigidity.

**OPTICS** — Medium distribution to meet both horizontal and vertical light level requirements. Reflectors are precision formed and painted high reflectance white. Semi-diffuse lens is standard to provide glare control and LED protection.

**ELECTRICAL** — 70% lumen maintenance at 97,000 hours; predicted life of more than 100,000 hours. Thermally protected driver standard with 0-10V dimming.

**LISTINGS** — CSA certified to US and Canadian safety standards. Damp location listed. Ambient operating temperatures vary please refer to chart on page 3.

**WARRANTY** — 5-year limited warranty. Complete warranty terms located at [www.acuitybrands.com/CustomerResources/Terms\\_and\\_conditions.aspx](http://www.acuitybrands.com/CustomerResources/Terms_and_conditions.aspx)

Actual performance may differ as a result of end-user environment and application.

Actual wattage may differ by +/-1% when operating between 120-277V +/-10%.

Note: Specifications subject to change without notice.



LED High Bay

# IBH

9,000 through 30,000 Lumens

Patent Pending



### ORDERING INFORMATION

Lead times will vary depending on options selected. Consult with your sales representative.

Example: IBH 18000LM SD080 MD MVOLT GZ10 40K 70CRI WH

| IBH    |   | SD080                      | MD           |   | GZ10               |                          |   |
|--------|---|----------------------------|--------------|---|--------------------|--------------------------|---|
| Series | Lumens  | Lens                       | Distribution | Voltage   | Driver             | Color temperature        | Color rendering index                     |
| IBH    | 9000LM 9,000 lumens<br>12000LM 12,000 lumens<br>18000LM 18,000 lumens<br>24000LM 24,000 lumens<br>30000LM 30,000 lumens | SD080 Semi-diffuse acrylic | MD Medium    | MVOLT MVOLT;<br>120-277V<br>HVOLT 347V-480V<br>120 120V<br>277 277V | GZ10 0-10V dimming | 40K 4000 K<br>50K 5000 K | 70CRI 70 CRI<br>80CRI 80 CRI <sup>1</sup> |

| Options                        |  | Finish                           |
|--------------------------------|--|----------------------------------|
| GLR                            | Internal fast-blow fuse <sup>2,3</sup>   | WH Gloss white<br>MB Matte black |
| OUTCTR                         | Wiring leads pulled through back center of fixture                                 |                                  |
| OCS                            | RELOC <sup>®</sup> OnePass <sup>®</sup> 5' installed <sup>2</sup>                  |                                  |
| RRL                            | RELOC <sup>®</sup> -ready luminaire. See page 5 for ordering information           |                                  |
| SPD                            | Surge protector <sup>2,4</sup>   |                                  |
| WGX                            | Standard wire guard, installed   |                                  |
| <b>Cord sets:</b> <sup>5</sup> |  |                                  |
| CS1W                           | Straight plug, 120V <sup>2,6</sup>   |                                  |
| CS3W                           | Twist-lock, 120V <sup>2,6</sup>  |                                  |
| CS7W                           | Straight plug, 277V <sup>2,6</sup>   |                                  |
| CS11W                          | Twist-lock, 277V <sup>2,6</sup>  |                                  |
| CS25W                          | Twist-lock, 347V <sup>2,6</sup>  |                                  |
| CS97W                          | Twist-lock, 480V <sup>2,6</sup>  |                                  |
| CS93W                          | 600V SEOW white cord, no plug (no voltage required)                                |                                  |
| <b>Motion sensors:</b>         |  |                                  |
| LCOZU                          | Aisle motion sensor, pre-wired <sup>2,7</sup>                                      |                                  |
| LCHOSZU                        | Aisle motion sensor, pre-wired; programmable dimming <sup>2,7</sup>                |                                  |
| LCPZU                          | Aisle motion sensor with photocell; pre-wired <sup>2,7</sup>                       |                                  |
| LAOZU                          | 360° motion sensor, pre-wired <sup>2,7</sup>                                       |                                  |
| LAHOSZU                        | 360° motion sensor, pre-wired; programmable dimming <sup>2,7</sup>                 |                                  |
| LAPZU                          | 360° motion sensor with photocell, pre-wired <sup>2,7</sup>                        |                                  |
| nPP16D                         | nLight <sup>®</sup> switching/dimming module <sup>2,8</sup>                        |                                  |
| nMSI                           | nLight, aisle motion sensor, pre-wired <sup>2,9</sup>                              |                                  |
| nMSI360                        | nLight, 360° motion sensor, pre-wired <sup>2,10</sup>                              |                                  |
| nMSID                          | nLight, aisle motion sensor, pre-wired, dimming <sup>2,11</sup>                    |                                  |
| nMSI360D                       | nLight, 360° motion sensor, pre-wired, dimming <sup>2,12</sup>                     |                                  |
| XAD                            | Factory installed XPoint <sup>™</sup> wireless 0-10V dimming relay <sup>2,13</sup> |                                  |
| MSI6XADL DSCXADL               | 360° Xpoint wireless motion sensor with photocell <sup>2,13</sup>                  |                                  |

See footnotes on page 2.

# IBH LED High Bay

**Accessories:** Order as separate catalog number.

**Mounting:**

|             |  |
|-------------|--|
| IBAC120 M20 | Aircraft cable 10' with hook (one pair)                          |
| IBAC240 M20 | Aircraft cable 20' with hook (one pair)                          |
| IBHMP       | Hook monopoint   |
| ZACVH       | Aircraft 10' V hanger (one pair)                                 |
| IBLPMP      | Pendant monopoint splice box, includes side covers               |
| IBLPMPHB    | Pendant monopoint splice box with 3/4" hub, includes side covers |
| HC36        | Hanger chain, 36" (one pair)                                     |
| THUN        | Tong hanger bracket (order 2 per fixture)                        |

**Wire guards:**

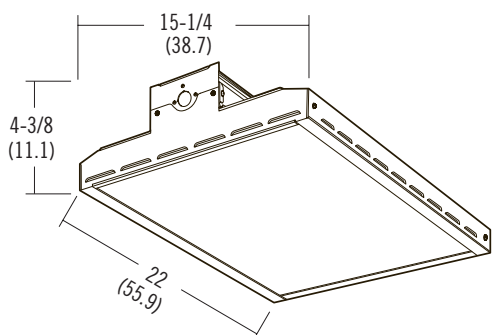
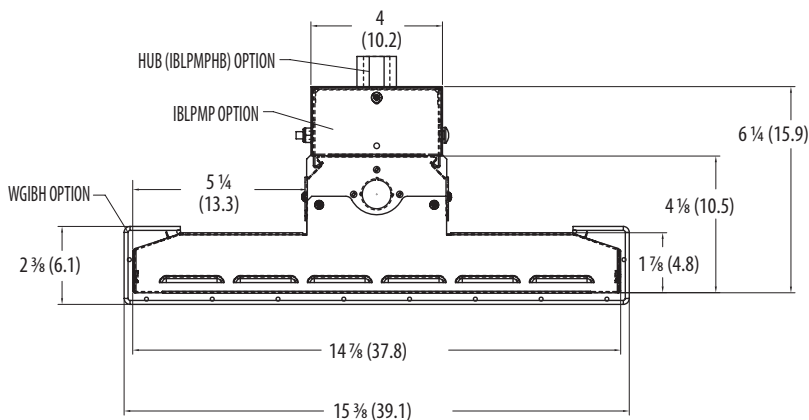
|        |   |
|--------|---|
| WGIBH  | Wire guard for use with 9000LM and 12000LM fixtures |
| WGIBH4 | Wire guard for use with 18000LM - 30000LM fixtures  |

**Notes**

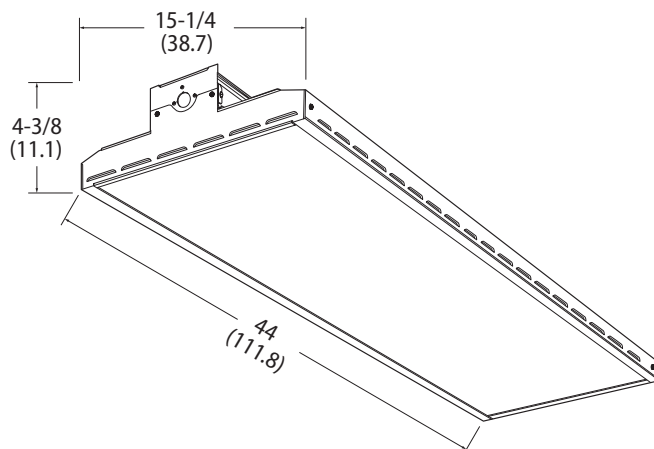
- 1 10% reduction in lumens compared to 70 CRI.
- 2 Must specify voltage.
- 3 Not available with 347V.
- 4 Available with 120, 277, 347, and 480 volt only.
- 5 All cord sets are 18/3, 6', white.
- 6 Cord sets are voltage specific. Specify voltage. Other configurations available. Consult factory.
- 7 Other configurations available, see page four for additional options. Maximum ambient temperature 104°F (40°C).
- 8 347V and 480V with nPP16D utilizes a step down transformer.
- 9 nMSI options utilizes a nPP16 and nCMB 50 sensor, CAT5e connector cable also included. Available 120 or 277V only.
- 10 nMSI360 options utilizes a nPP16 and nCMB 6 sensor, CAT5e connector cable also included. Available 120 or 277V only.
- 11 nMSID options utilizes a nPP16 and nCMB 50 D sensor CAT5e connector cable also included. Available 120 or 277V only.
- 12 nMSI360D options utilizes a nPP16 and nCMB 6 D sensor, CAT5e connector cable also included. Available 120 or 277V only.
- 13 For use in ambient temperatures ranging from -14° to 104°F (-10° to 40°C).

## DIMENSIONS

All dimensions are in inches (centimeters) unless otherwise indicated.  
Dimensions may vary with options or accessories.



**9,000 and 12,000 Lumens**



**18,000, 24,000 and 30,000 Lumens**



# IBH LED High Bay

## OPERATIONAL DATA

| Lumen package | Ambient rating* (120V - 277V)  | Ambient rating* (347V / 480V) | Delivered lumens 5000 K CCT, 70CRI @ 77°F (25°C) ambient temperature | Delivered lumens 4000 K CCT, 70CRI @ 77°F (25°C) ambient temperature | Delivered lumens 5000 K CCT, 80CRI @ 77°F (25°C) ambient temperature | Delivered lumens 4000 K CCT, 80CRI @ 77°F (25°C) ambient temperature |
|---------------|--------------------------------|-------------------------------|--|--|--|--|
| 9000LM        | -40°F to 104°F (-40°C to 40°C) | -40°F to 86°F (-40°C to 30°C) | 10,736   | 10,120   | 10,083   | 9,504  |
| 12000LM       | -40°F to 104°F (-40°C to 40°C) | -40°F to 86°F (-40°C to 30°C) | 13,558   | 12,780   | 12,733   | 12,002   |
| 18000LM       | -40°F to 104°F (-40°C to 40°C) | -40°F to 95°F (-40°C to 35°C) | 21,472   | 20,240   | 20,165   | 19,008   |
| 24000LM       | -40°F to 104°F (-40°C to 40°C) | -40°F to 95°F (-40°C to 35°C) | 28,463   | 26,830   | 26,731   | 25,197   |
| 30000LM       | -40°F to 104°F (-40°C to 40°C) | -40°F to 95°F (-40°C to 35°C) | 32,664   | 30,790   | 30,676   | 28,916   |

\* Ambient temperature ratings vary depending on options selected.

## CHARACTERISTICS

| Lumen package | Wattage |      |      |      | Length   | Width         | Depth        | Weight without Lens<br>(Lens kit adds approx. 7 lbs (2.3 kg)) | Comparable light source          |
|---------------|---------|------|------|------|--|---------------|--------------|---|----------------------------------|
|               | 120V    | 277V | 347V | 480V |  |               |              |   |                                  |
|               |         |      |      |      | Dimensions are shown in inches (centimeters) unless otherwise noted. |               |              |   |                                  |
| 9000LM        | 99      | 98   | 95   | 95   | 22 (55.9)  | 15-1/4 (38.7) | 4-3/8 (11.1) | 10 lbs (4.5 kg)   | 2-lamp T5HO                      |
| 12000LM       | 125     | 123  | 120  | 119  | 22 (55.9)  | 15-1/4 (38.7) | 4-3/8 (11.1) | 10 lbs (4.5 kg)   | 4-lamp T8, 250W HID              |
| 18000LM       | 198     | 195  | 190  | 189  | 44 (111.8)   | 15-1/4 (38.7) | 4-3/8 (11.1) | 20 (9.1 kg)   | 4-lamp T5HO, 6-lamp T8, 400W HID |
| 24000LM       | 253     | 249  | 243  | 242  | 44 (111.8)   | 15-1/4 (38.7) | 4-3/8 (11.1) | 20 (9.1 kg)   | 6-lamp T5HO, 8-lamp T8           |
| 30000LM       | 311     | 307  | 299  | 298  | 44 (111.8)   | 15-1/4 (38.7) | 4-3/8 (11.1) | 20 (9.1 kg)   | 8-lamp T5HO                      |

## PROJECTED LUMEN MAINTENANCE

| Operating hours          | 0 | 10,000 | 20,000 | 25,000 | 35,000 | 50,000 | 60,000 | 75,000 | 100,000 |
|--------------------------|---|--------|--------|--------|--------|--------|--------|--------|---------|
| Lumen maintenance factor | 1 | 0.96   | 0.92   | 0.90   | 0.87   | 0.83   | 0.80   | 0.76   | 0.69    |

## LUMENS VS. AMBIENT TEMPERATURE

| Ambient °C | Ambient °F | Lumen multiplier |
|------------|------------|------------------|
| 0          | 32         | 1.03             |
| 5          | 41         | 1.03             |
| 10         | 50         | 1.02             |
| 15         | 59         | 1.01             |
| 20         | 68         | 1.01             |
| 25         | 77         | 1.00             |
| 30         | 86         | .98              |
| 35         | 95         | .89              |
| 40         | 104        | .79              |

## PHOTOMETRICS

See [www.lithonia.com](http://www.lithonia.com).



IBH

# IBH LED High Bay

## LSXR - Fixture Mount Sensor (see [www.sensorswitch.com](http://www.sensorswitch.com) for additional information)

- Four interchangeable lenses.
- Integrated mounting bracket drops lens down 3" from chase nipple.
- Single or dual relay versions — designed with robust protection from the harsh switching requirements of T5 and LED loads.
- Photocell and 0-10VDC dimming options.
- No PIR field calibration or sensitivity adjustments required.



| LSXR configuration  | Comparable CMRB sensor | Old style sensor nomenclature |
|---|------------------------|-------------------------------|
| <b>For shortest lead times use one of the following LSXR configurations</b> |                        |                               |
| LCOZU   | CMRB 50                | MSI                           |
| LCHOSZU   | CMRB 50 D              | MSID                          |
| LCPZU   | CMRB 50 P              | MSIPED                        |
| LAOZU   | CMRB 6                 | MSI360                        |
| LAHOSZU   | CMRB 6 D               | MSI360D                       |
| LAPZU   | CMRB 6 P               | MSI360PED                     |

### SELECTIONS BELOW WILL EXTEND ORDER LEAD TIME. CONSULT YOUR SALES REPRESENTATIVE FOR DETAILS.

#### SINGLE RELAY

##### ORDERING INFORMATION

Lead times will vary depending on options selected. Consult with your sales representative.

**Example:** LAHOSZU

| Series  | Lens option           | Dimming/Photocell   | Max. dim Level | Min. dim level                     | Temp/Humidity     | Default time delay                             |
|---|-----------------------|---|----------------|------------------------------------|-------------------|--|
| L LSXR passive infrared indoor occupancy sensor | A High mount, 360°    | O None <sup>1</sup>   | 0 10 VDC       | S Minimum dimming level of ballast | Z None            | I 30 seconds                                   |
|   | B Low mount, 360°     | H High/low occupancy operation                                      | 9 9VDC         | 1 1 VDC                            | T Low temperature | D 2.5 minutes                                  |
|   | C High mount aisleway | P Switching photocell (on/off)                                      | 8 8VDC         | 2 2 VDC                            |                   | X 5 minutes                                    |
|   |                       | M Dimming and switching photocell                                   | 7 7VDC         | 3 3 VDC                            |                   | R 7.5 minutes                                  |
|   |                       | G Dimming and switching photocell with high/low occupancy operation |                | 4 4 VDC                            |                   | U 10 minutes (with minimum 15 minutes on time) |
|   |                       |   |                | 5 5 VDC                            |                   | V 15 minutes                                   |
|   |                       |   |                | 6 6 VDC                            |                   | W 20 minutes                                   |
|   |                       |   |                |                                    |                   | Y 30 minutes                                   |

#### DUAL RELAY (Available with 120, 277, and 347V only)

##### ORDERING INFORMATION

Lead times will vary depending on options selected. Consult with your sales representative.

**Example:** LA2KZU

| Series  | Lens option           | Poles        | Operating mode                                     | Temp/Humidity     | Default time delay                             |
|---|-----------------------|--------------|--|-------------------|--|
| L LSXR passive infrared indoor occupancy sensor | A High mount, 360°    | 2 Dual relay | J None   | Z None            | I 30 seconds                                   |
|   | B Low mount, 360°     |              | K Alternating off relays (promotes even lamp wear) | T Low temperature | D 2.5 minutes                                  |
|   | C High mount aisleway |              | O Alternating off relays w/photocell               |                   | X 5 minutes                                    |
|   |                       |              | P Switching photocell (on/off)                     |                   | R 7.5 minutes                                  |
|   |                       |              | E Photocell on/off (pole 1 only)                   |                   | U 10 minutes (with minimum 15 minutes on time) |
|   |                       |              | F Photocell on/off - both poles (dual set-point)   |                   | V 15 minutes                                   |
|   |                       |              |  |                   | W 20 minutes                                   |
|   |                       |              |  |                   | Y 30 minutes                                   |

**Example:** LENS 50 J100

| Replacement lenses: Order as separate catalog number. |                        |                  |
|---|------------------------|------------------|
| Series  | Lens type              | Package quantity |
| Lens  | 6 High mount 360°      | U Unit           |
|   | 10 Low mount 360°      | J10 10-pack      |
|   | 50 High mount aisleway | J100 100-pack    |

##### Notes

- 1 Dimming level fields not required when this option is chosen.



## RRL - RELOC®-Ready Luminaire

- RRL connectors can be used with Quick-Flex®, System 820 and OnePass® systems.
- Load side of connector factory installed to luminaire.
- 4-pole mating connector with push-in terminations allows for simple installation.
- Touch-safe design on both halves meets UL/CSA requirement.
- Wiping contact design allows safe disconnect under load.



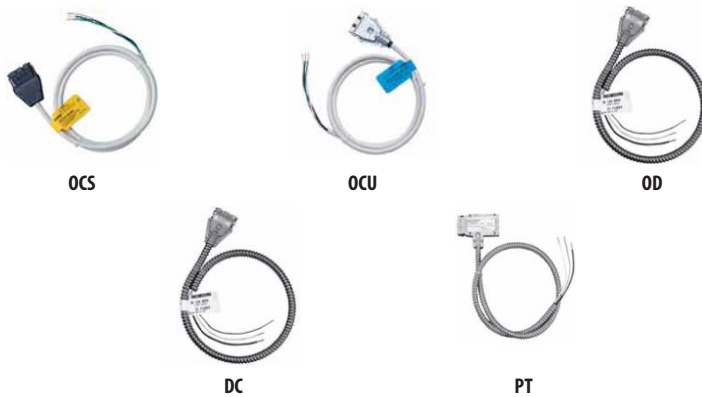
### ORDERING INFORMATION

Lead times will vary depending on options selected. Consult with your sales representative.

**Example: RRLA**

| Series                     | Wiring instructions |   |
|----------------------------|---------------------|---|
| RRL RELOC®-ready luminaire | A                   | Hot conductor wired to position #1 (phase A)  |
|                            | B                   | Hot conductor wired to position #2 (phase B)  |
|                            | C                   | Hot conductor wired to position #3 (phase C) <sup>1</sup>   |
|                            | AB                  | Outboard hot conductor wired to position #1 (phase A), inboard hot conductor wired to position #2 (phase B)   |
|                            | AE                  | Hot conductor wired to position #1 (phase A), hot conductor #2 wired to position #2 (phase B) <sup>2</sup>  |
|                            | ABE                 | Hot conductor wired to position #1 (phase A), hot conductor #2 wired to position #2 (phase B), inverter conductor wired to position #3 (phase C) <sup>1,2</sup> |
|                            | C12S                | Hot conductor in position #1 (phase A), low voltage conductor #1 in position #2, low voltage conductor #2 in position #3 <sup>1,3</sup>                         |

### Compatible RELOC® Cables for Industrial Luminaires (shipped and ordered separately)



### Notes

- 1 C, ABE, and C12S options are not used with Quick-Flex QFC, QSFC, QPT, and QD.
- 2 AE and ABE commercial fixtures should disconnect the TSPL before unplugging the RRL so it does not go into discharge mode.
- 3 C12S option is used with the OnePass OD and 820 SSC, PT, and DC for 0-10V/DALI applications.