

MASS:
 CAT. NO.:GTT250-250

TOLERANCES-UNLESS OTHERWISE SPECIFIED
 2 PL. DEC. ±.015 TRUE C.L. ±.015
 3 PL. DEC. ±.015 ANGLES ±1

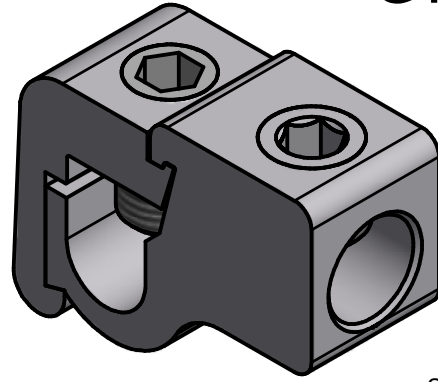
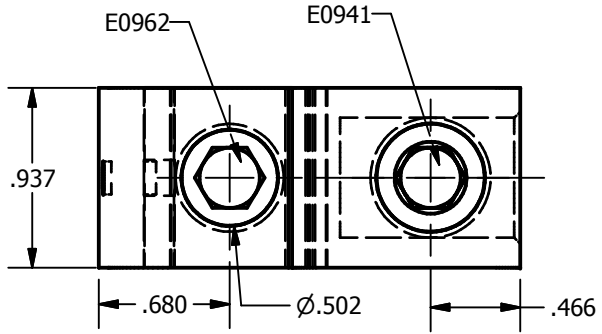
DWG. NO.
M0456-22
 SHEET 1 OF 1



DRAWN BY:CLH SCALE: 1:1
 DATE:1/11/2008 SIZE: A

REV.	DESCRIPTION

Cat #: GTT-250-250
GTT-250-250-W/C



SCALE 1 : 1

