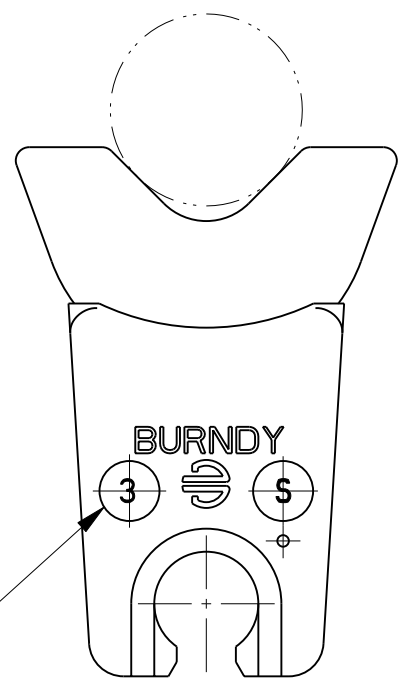
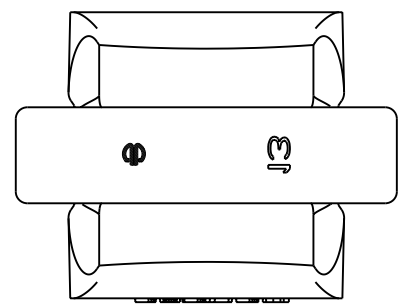
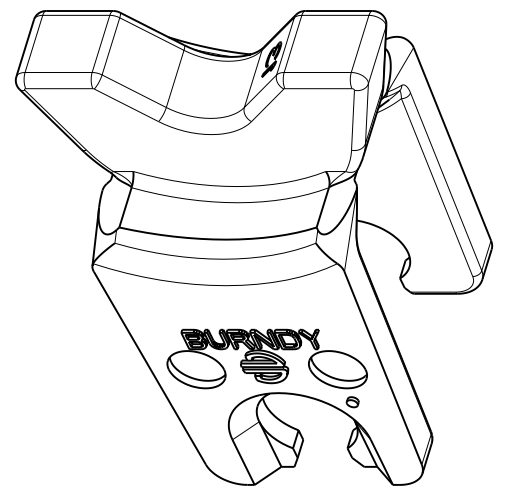
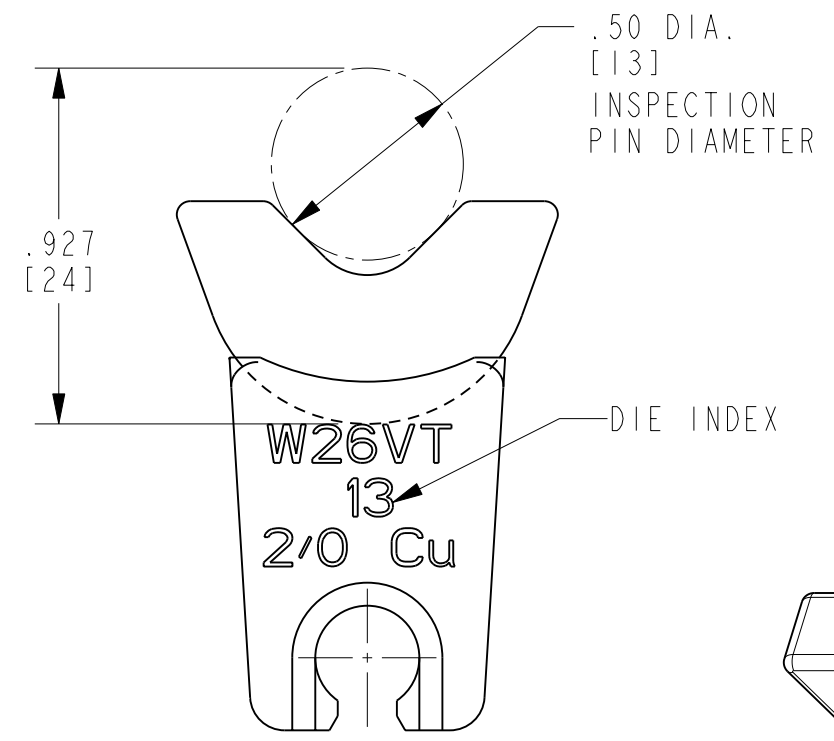
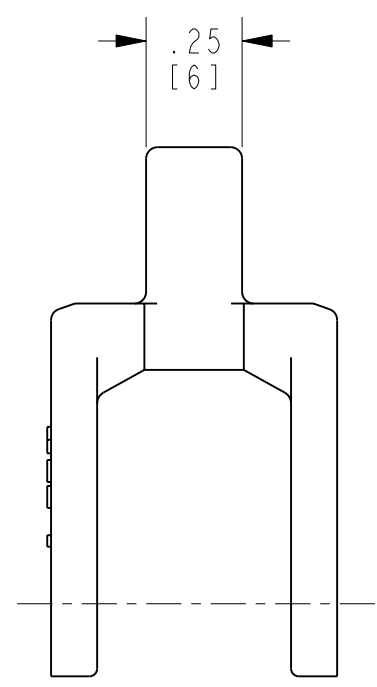


REV.	DATE	DESCRIPTION	ECO	BY	C'H'K.
B	03/18/2015 00:00:00 AM	UPDATED AS PER MARKUP	37620	MG	RM



BLACK PAINT



NOTES:

1. DIMENSIONS IN BRACKETS [] ARE IN MILLIMETERS ROUNDED OFF TO THE NEAREST MILLIMETER, UNLESS OTHERWISE NOTED, AND ARE FOR REFERENCE ONLY.
2. MATERIAL: STAINLESS STEEL
3. CATALOG NUMBER CONSIST OF TWO DIE HALVES.

TO ORDER BURNDY® PRODUCTS CALL
 UNITED STATES:
 1-800-346-4175 (LONDONDERRY, NH)
 CANADA:
 1-800-361-6975 (QUEBEC)
 1-800-387-6487 (ALL OTHER PROVINCES)
 FOR PRODUCT INFO: <http://www.burndy.com>

W-DIES		SCALE: 2:1
ITEM NO: --	3	
CAT. NO: W26VT		
DRAWN BY: M RAJASEKAR 6/11/2009		
CHECKER: R RICK 7/13/2009		
DSN APPVL: R RICK 7/13/2009		
MFG APPVL: S HOPPS 8/11/2009		
QA APPVL: A CHARLES 7/15/2009		
MKT APPVL: P ROBERT 7/09/2009		
PROD FAM: TOOLS_MECHANICAL	DRAWING NO	REV
PROJECT #: --	10102371	B
DOCUMENT TYPE: Sales	SIZE	
REL LEVEL: Released	B	
	SHEET 1 OF 1	

REV: PE0200