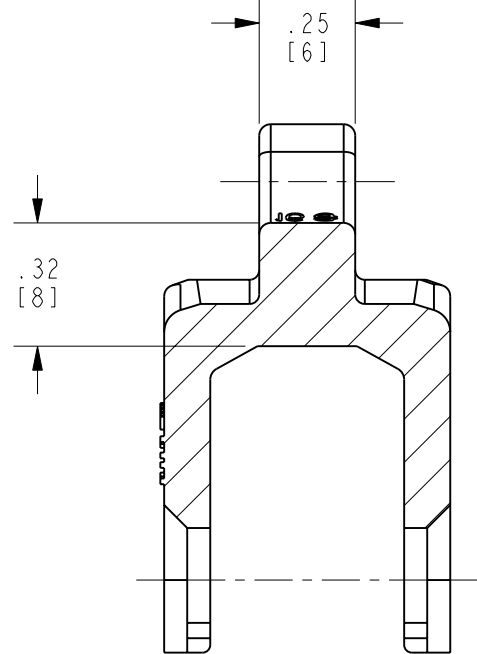
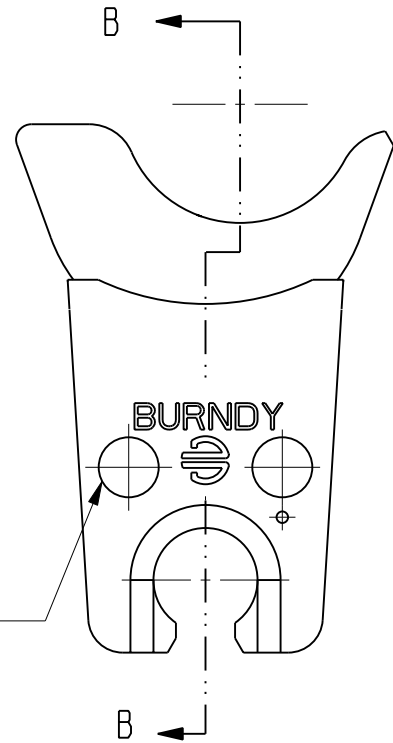
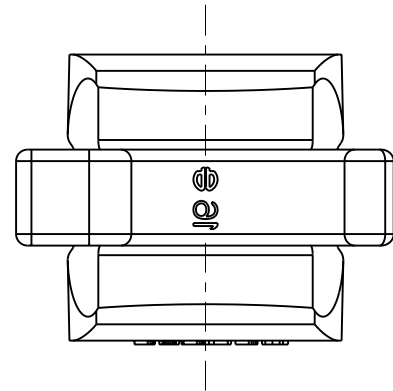
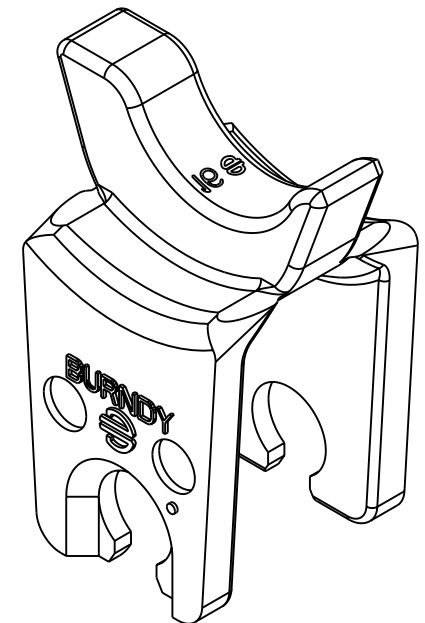
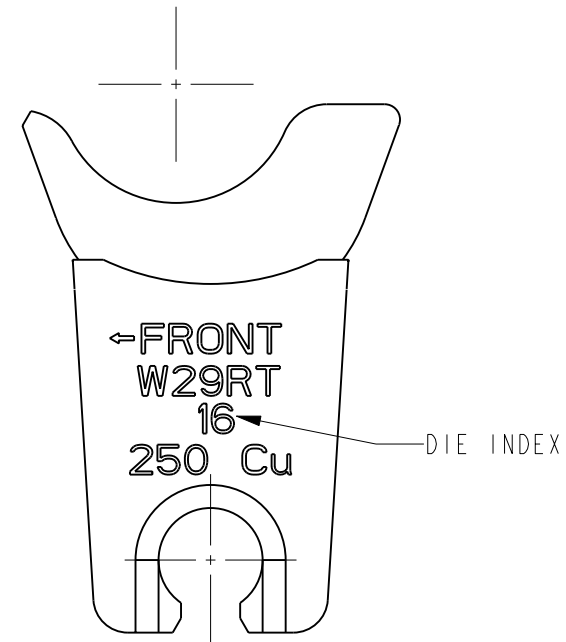


REV.	DATE	DESCRIPTION	ECO	BY	C'H'K.
C	04/17/2015 00:00:00 AM	UPDATED AS PER MARKUP	38805	MG	RM



SECTION B-B



NOTES:

1. DIMENSIONS IN BRACKETS [] ARE IN MILLIMETERS ROUNDED OFF TO THE NEAREST MILLIMETER, UNLESS OTHERWISE SPECIFIED, AND ARE FOR REFERENCE ONLY.
2. MATERIAL: STAINLESS STEEL
3. DIE GAGE CAT NO. WPG16
4. DIE SET CATALOG NUMBER W29RT TO CONTAIN TWO (2) DIE HALVES.

TO ORDER BURNDY® PRODUCTS CALL

UNITED STATES:
1-800-346-4175 (LONDONDERRY, NH)

CANADA:
1-800-361-6975 (QUEBEC)
1-800-387-6487 (ALL OTHER PROVINCES)

FOR PRODUCT INFO: <http://www.burndy.com>

W-DIES (MD6 HYTOOLS)

ITEM NO: --	SCALE: 1:1
CAT. NO: W29RT	REV
DRAWN BY: M. TAMARAIKANI 01/10/12	DRAWING NO
CHECKER: L. BROWN 01/11/12	30023713
DSN APPVL: L. BROWN 01/11/12	SHEET 1 OF 1
MFG APPVL: --	
QA APPVL: J. BRODEUR 01/11/12	
MKT APPVL: R. POIRIER 01/10/12	
PROD FAM: TOOLS_MECHANICAL/ W_DIES	
PROJECT #: --	
DOCUMENT TYPE: Sales	
REL LEVEL: Released	



REV: PE0200