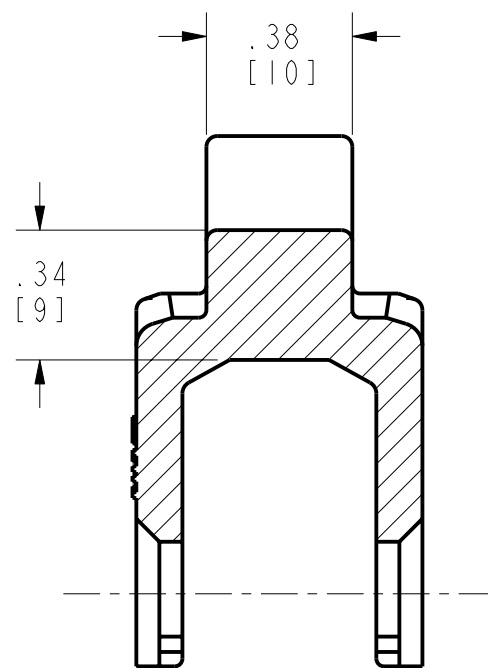
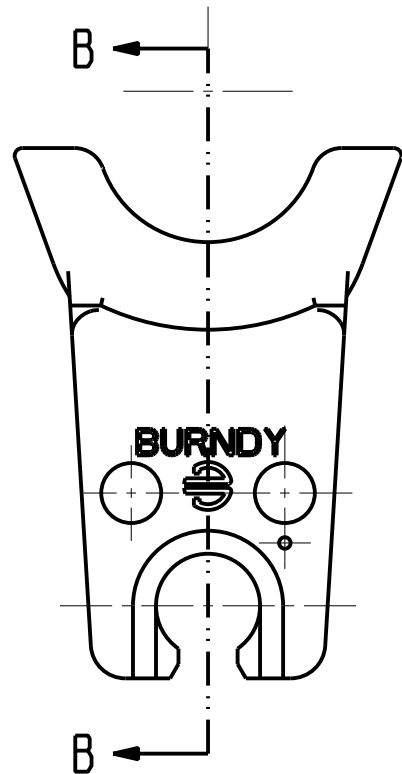
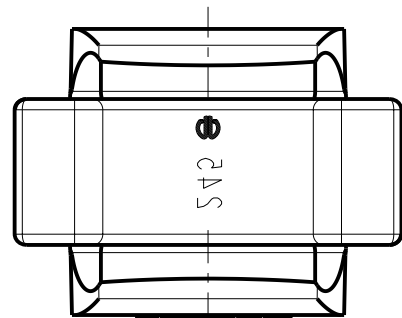
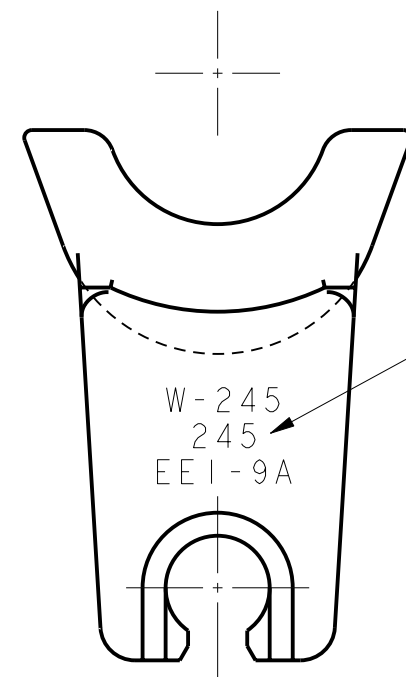


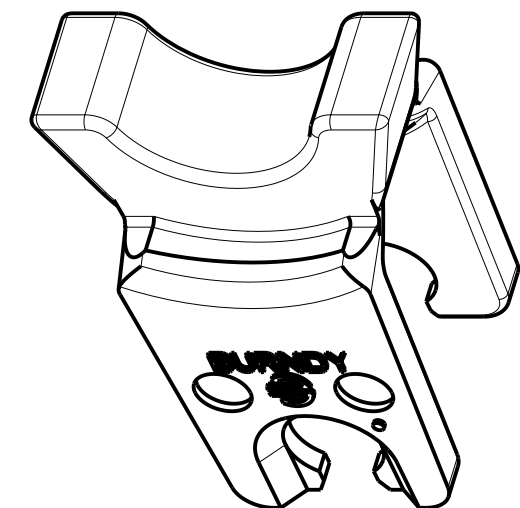
REV.	DATE	DESCRIPTION	ECO	BY	C'H'K.
B	01/27/2014 00:00:00 AM	UPDATED AS PER MU	34285	MVP	MB



SECTION B-B



DIE INDEX



NOTES:

- DIMENSIONS IN BRACKETS [] ARE IN MILLIMETERS ROUNDED OFF TO THE NEAREST MILLIMETER, UNLESS OTHERWISE NOTED, AND ARE FOR REFERENCE ONLY.
- MATERIAL: STAINLESS STEEL
- DIE GAGE CAT NO. WPG245

TO ORDER BURNDY® PRODUCTS CALL

UNITED STATES:
1-800-346-4175 (LONDONDERRY, NH)

CANADA:
1-800-361-6975 (QUEBEC)
1-800-387-6487 (ALL OTHER PROVINCES)

FOR PRODUCT INFO: <http://www.burndy.com>

W-DIES (MD6 HYTOOL)

ITEM NO: --	SCALE: 2:1
CAT. NO: W245	DRAWING NO
DRAWN BY: M RAJASEKAR 7/06/2009	REV
CHECKER: R RICK 7/31/2009	
DSN APPVL: A JOHN 7/31/2009	
MFG APPVL: --	
QA APPVL: --	
MKT APPVL: P ROBERT 7/30/2009	
PROD FAM: TOOLS_MECHANICAL	
PROJECT #: --	SIZE
DOCUMENT TYPE: Sales	B
REL LEVEL: Released	



10102385
SHEET 1 OF 1

REV: PE0200