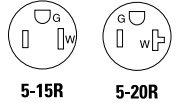


# Premium hospital grade straight blade decorator receptacles

Project Name:	Prepared By:
Project Number:	Date:
Catalog Number:	Type:

## Description

2 Pole, 3-Wire Grounding  
 15A 125V/AC;  
 20A 125V/AC  
 NEMA 5-15, 5-20



8262



8362

## Design features

- Exclusive screw terminal guards provide fast, easy insulation from conductive surfaces
- Exclusive 5-leaf brass line contacts provide consistent performance and superior plug resistance
- Rigid, glass reinforced nylon base lends ultimate strength and superior high heat resistance in contact carrier
- 0.05" (1.27mm) solid brass mounting strap with non-riveted, integral one-piece grounding system for highest durability – assures superior ground integrity and corrosion resistance under heaviest use
- High impact and chemical-resistant nylon face
- Tapered back wiring lead-in slots assist in gathering stranded wires for faster, more secure connections
- All terminal and mounting screws are plated, triple combination (Slot/Phillips/Robertson) head for superior corrosion resistance and maximum flexibility
- Long, broad mounting strap helps reach large panel cutouts for code compliance
- Automatic grounding system eliminates need for bonding jumper in grounded metal enclosure, provides redundant measure of ground continuity where jumper used

**Table 1. Premium Hospital Grade Decorator Receptacles, Back & Side Wire**

Catalog No.	Description	Amps	Volts	Color Suffix
□ 8262__	NEMA 5-15R Decorator Duplex Receptacle, Back & Side Wire	15	125	GY, RD, V, W
□ 8262LT__	NEMA 5-15R Premium Illuminated Decorator Duplex Receptacle, Back & Side Wire	15	125	V, W
□ 8362__	NEMA 5-20R Decorator Duplex Receptacle, Back & Side Wire	20	125	B, BK, GY, RD, V, W
□ 8362LT__	NEMA 5-20R Premium Illuminated Decorator Duplex Receptacle, Back & Side Wire	20	125	RD, V, W

Compliances, specifications and availability are subject to change without notice.



Powering Business Worldwide

Project Name:	Prepared By:
Project Number:	Date:
Catalog Number:	Type:

## Applications

Arrow Hart's feature-rich line of hospital grade receptacles have been designed to meet and exceed the demanding requirements of UL498 and Federal Specification WC-596G to provide a consistent means of connectivity where downtime can be crucial. Features include high-impact and chemical-resistant nylon faces to withstand abuse and maintain structural integrity plus durable contact designs for long life blade retention. The entire line of hospital grade receptacles fulfill the requirements for long-term reliability, low maintenance and assured performance.

**Table 2. Specifications**

Catalog No.	8262, 8362 Series
<b>Device Type</b>	<b>Hospital Grade Premium Decorator Receptacles</b>
<b>Wiring Type</b>	Back & side wire
<b>Testing &amp; Code Compliance</b>	<ul style="list-style-type: none"> <li>• cULus Listed to UL 498, file no. E15058</li> <li>• UL verified to Federal Spec. WC-596G</li> <li>• cULus certified to CSA spec C22.2, no. 42</li> <li>• NOM certified</li> </ul>
<b>Environmental Specifications</b>	<b>Flammability:</b> Meets UL 94 requirements; V2 rated <b>Temperature Rating:</b> -20°C to 70°C (-4°F to 158°F)
<b>Electrical Specifications</b>	<b>Dielectric Voltage:</b> Withstands 2000V per UL 498 <b>Current Interrupting:</b> Yes, at full-rated current <b>Temperature Rise:</b> Max. 30°C (86°F) after 250 cycles of overload @ 200% of rated current (DC)
<b>Mechanical Specifications</b>	<b>Terminal Accommodation:</b> #14 - 10 AWG <b>Voltage Ratings:</b> Permanently marked on device

**Table 3. Materials**

Catalog No.	8262, 8362 Series
<b>Face</b>	Nylon
<b>Base</b>	Glass-filled nylon
<b>Strap</b>	0.05" thick brass
<b>Auto Ground</b>	Brass clip
<b>Line Contacts</b>	0.031" thick 5-leaf 688 grade high-performance brass
<b>Ground Contact</b>	Integral
<b>Terminal Screws</b>	#8-32 steel
<b>Ground Screw</b>	#8-32 steel, zinc plated (green)
<b>Screw Terminal Guards</b>	PVC hinged doors

**Table 4. Color Ordering Information**

For ordering devices, include Cat. No. followed by the color code: B (Brown), BK (Black), GY (Gray), LA (Light Almond), RD (Red), V (Ivory), W (White)

<b>B</b>	<b>BK</b>	<b>GY</b>	<b>LA</b>	<b>RD</b>	<b>V</b>	<b>W</b>
(Brown)	(Black)	(Gray)	(Light Almond)	(Red)	(Ivory)	(White)

Project Name:	Prepared By:
Project Number:	Date:
Catalog Number:	Type:

## Product Dimensions

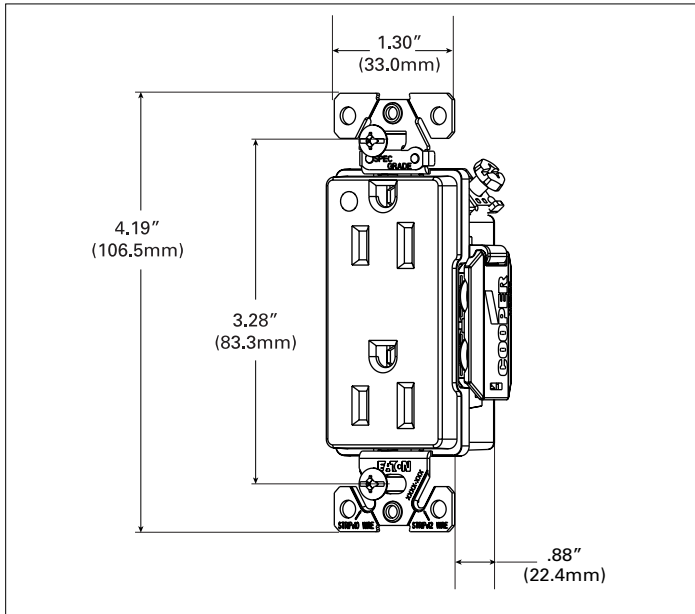


Figure 1. 8262, 8262LT Line Art with Dimensions

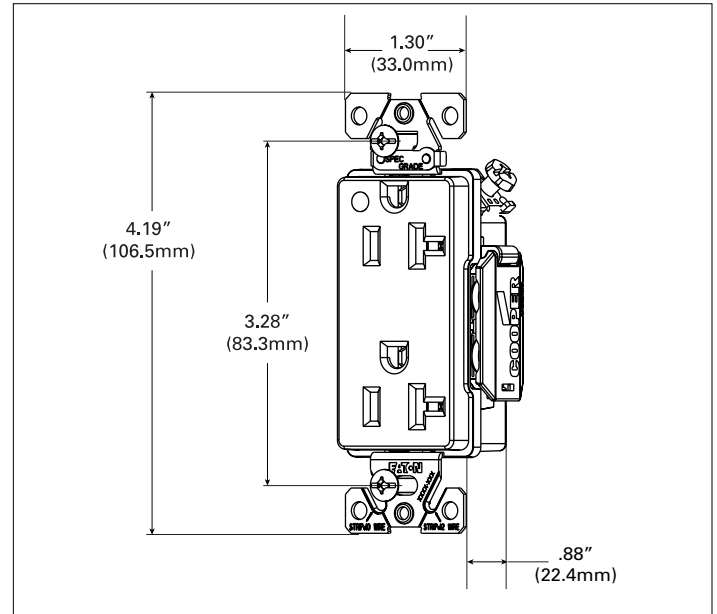


Figure 2. 8362, 8362LT Line Art with Dimensions

## Certifications & Compliances

Catalog No.	cULus	FUS	NOM 426	Arrowlink	Build-To-Spec	ROHS
8262	•	•	•	•	•	•
8262LT	•	•	•	•	•	•
8362	•	•	•	•	•	•
8362LT	•	•	•	•	•	•

**KEY:** cULus cULus FUS Fed Spec NOM 426 NOM Arrowlink Build-To-Spec ROHS

Parts are manufactured and designed in accordance with article 4 of the European Union's RoHS2 directive 2011/65/EU

Build-To-Spec Customizable Devices

Compliances, specifications and availability are subject to change without notice.

Electrical Sector  
203 Cooper Circle  
Peachtree City, GA 30269  
United States  
Eaton.com  
Eaton.com/arrowhart

Electrical Sector  
Canada Operations  
5925 McLaughlin Road  
Mississauga, Ontario, L5R 1B8  
Canada  
EatonCanada.ca  
Eaton.com/arrowhart

Electrical Sector  
Mexico Operations  
Carr. Tlalnepantla -  
Cuautitlan Km 17.8 s/n  
Col. Villa Jardin esq.  
Cerrada 8 de Mayo  
Cuautitlan, Mexico CP 54800  
Mexico  
Eaton.mx  
Eaton.com/arrowhart