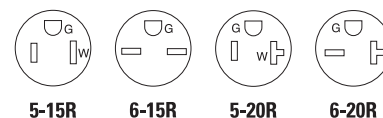


Premium industrial grade straight blade decorator receptacles

Project Name:	Prepared By:
Project Number:	Date:
Catalog Number:	Type:

Description

2-Pole, 3-Wire Grounding
 15A 125V; 15A 250V
 20A 125V; 20A 250V
 NEMA 5-15, 5-20, 6-15, 6-20



6262



6362

Design features

- Exclusive screw terminal guards provide fast, easy insulation from conductive surfaces
- Exclusive five-leaf solid brass line contacts provides consistent performance and superior plug retention
- Rigid, glass reinforced nylon base lends ultimate strength and superior high heat resistance in contact carrier
- High impact and chemical-resistant nylon face
- Tapered lead-in slots on back wiring holes assist in gathering stranded wires for faster, more secure connections
- All terminal and mounting screws triple combination (slot/Phillips/Robertson) head for maximum installer flexibility
- Long, broad mounting strap helps reach large panel cutouts for code compliance
- Automatic grounding system eliminates need for bonding jumper in grounded metal enclosure, provides redundant measure of ground continuity where jumper used

Table 1. Premium Industrial Grade Decorator Receptacles, Back & Side Wire

Catalog No.	Description	Amps	Volts	Color Suffix
□ 6262__	NEMA 5-15R Premium Decorator Receptacle, Back & Side Wire	15	125	GY, RD, V, W
□ 6362__	NEMA 5-20R Premium Decorator Receptacle, Back & Side Wire	20	125	BK, GY, RD, V, W
□ 6662__	NEMA 6-15R Premium Decorator Receptacle, Back & Side Wire	15	250	V, W
□ 6462__	NEMA 6-20R Premium Decorator Receptacle, Back & Side Wire	20	250	V, W

Compliances, specifications and availability are subject to change without notice.



Powering Business Worldwide

Project Name:	Prepared By:
Project Number:	Date:
Catalog Number:	Type:

Applications

Industrial grade receptacles are challenged on a daily basis to provide consistent, reliable means of connectivity in a wide variety of environments and need to stand up to a high degree of abuse. The applications vary greatly by environment and provide challenges from impact and chemical resistance to environmental extremes such as heat and moisture. The breadth of Arrow Hart line of premium industrial grade straight blade receptacles provides solutions to all environments and applications. High impact and chemical resistant nylon faces withstand abuse to maintain structural integrity. The durable contact designs provide long life blade retention. When the job calls for receptacles that can stand up to the test of an industrial environment, turn to Arrow Hart's line of premium industrial grade receptacles.

Table 2. Specifications

Catalog No.	6262, 6362, 6462, 6662 Series
Device Type	Industrial Grade Premium Decorator Receptacles
Wiring Type	Back & side wire
Testing & Code Compliance	<ul style="list-style-type: none"> • cULus Listed to UL 498, file no. E15058 • UL verified to Federal Spec. WC-596G • CSA certified to C22.2 • NOM certified
Environmental Specifications	Flammability: Meets UL 94 requirements; V2 rated Temperature Rating: -20°C to 70°C (-4°F to 158°F)
Electrical Specifications	Dielectric Voltage: Withstands 2000V per UL 498 Current Interrupting: Yes, at full-rated current Temperature Rise: Max. 30°C (86°F) after 250 cycles of overload @ 200% of rated current (DC)
Mechanical Specifications	Terminal Accommodation: #14 - 10 AWG Voltage Ratings: Permanently marked on device

Table 3. Materials

Catalog No.	6262, 6362, 6462, 6662 Series
Face	Nylon
Base	Glass-filled nylon
Strap	0.048" thick galvanized steel
Auto Ground	Brass clip
Line Contacts	0.031" thick 5-leaf 688 grade high-performance brass
Ground Contact	0.030" thick brass ground shunt
Terminal Screws	#8-32 brass, neutral screw nickel plated
Ground Screw	#8-32 steel (green)
Tamper Resistant Shutters	PVC hinged doors

Table 4. Color Ordering Information

For ordering devices, include Cat. No. followed by the color code: BK (Black), GY (Gray), RD (Red), V (Ivory), W (White)

BK	GY	RD	V	W
Black	Gray	Red	Ivory	White

Project Name:	Prepared By:
Project Number:	Date:
Catalog Number:	Type:

Product Dimensions

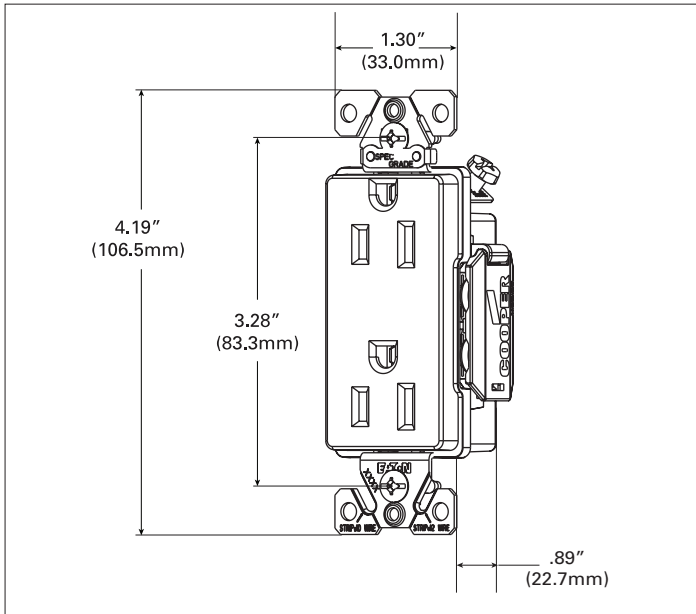


Figure 1. 6262 Line Art with Dimensions

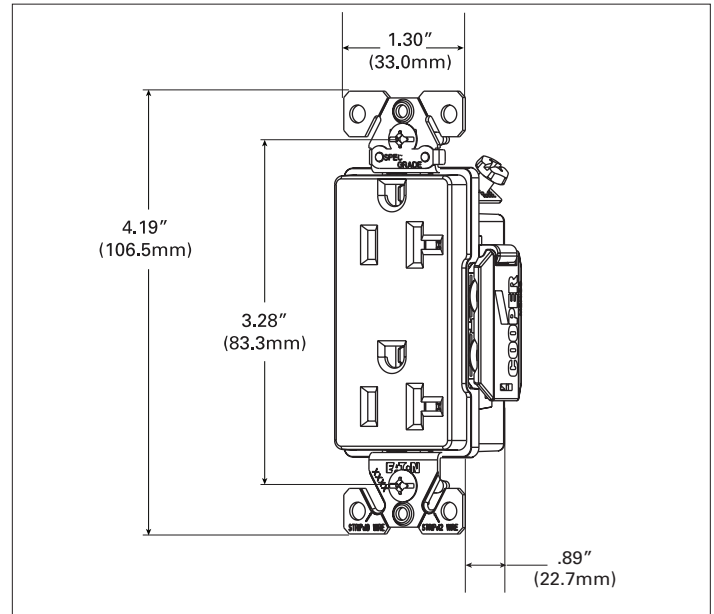


Figure 2. 6362 Line Art with Dimensions

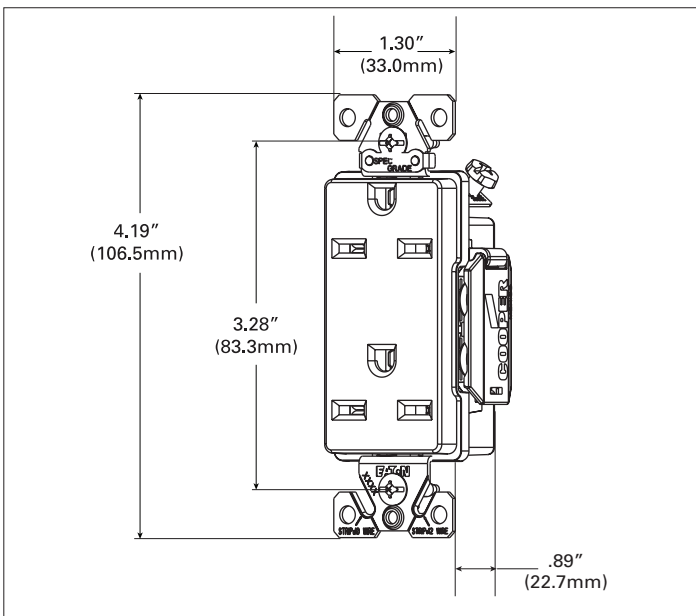


Figure 3. 6662 Line Art with Dimensions

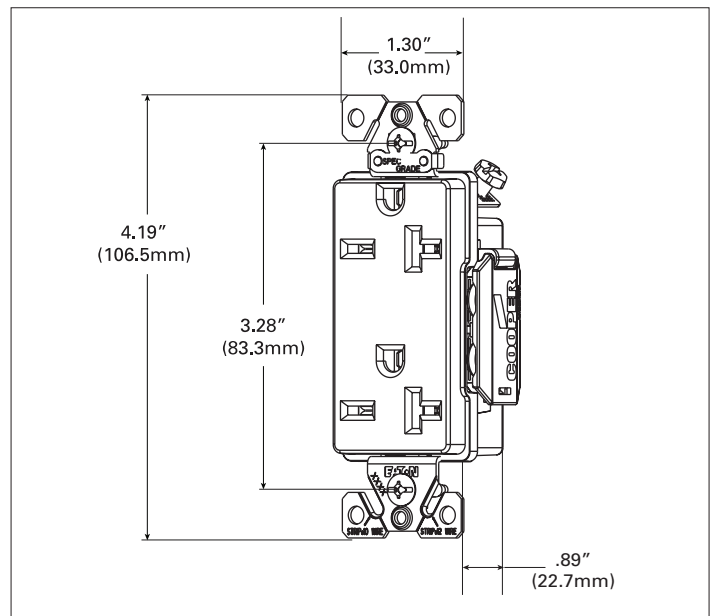
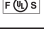









Figure 4. 6462 Line Art with Dimensions

Project Name:	Prepared By:
Project Number:	Date:
Catalog Number:	Type:

Certifications & Compliances

Catalog No.							
6262	•	•	•	•	•	•	•
6362	•	•	•	•	•	•	•
6462	•	•	•	•	•	•	•
6662	•	•	•	•	•	•	•

KEY:  cULus  Fed Spec  CSA  NOM 426  Arrowlink  Build-To-Spec  ROHS

 Parts are manufactured and designed in accordance with article 4 of the European Union's RoHS2 directive 2011/65/EU

 Build-To-Spec Customizable Devices

Compliances, specifications and availability are subject to change without notice.

Electrical Sector
203 Cooper Circle
Peachtree City, GA 30269
United States
Eaton.com
Cooperwiringdevices.com

Electrical Sector
Canada Operations
5925 McLaughlin Road
Mississauga, Ontario, L5R 1B8
Canada
EatonCanada.ca
Cooperwiringdevices.com

Electrical Sector
Mexico Operations
Carr. Tlalnepantla -
Cuautitlan Km 178 s/n
Col. Villa Jardin esq.
Cerrada 8 de Mayo
Cuautitlan, Mexico CP 54800
Mexico
Eaton.mx
Cooperwiringdevices.com

Eaton
1000 Eaton Boulevard
Cleveland, OH 44122
United States
Eaton.com

© 2014 Eaton
All Rights Reserved
Printed in USA
Publication No. E125-0135-14
October 2014

Eaton is a registered trademark.

All other trademarks are property
of their respective owners.