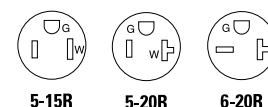


Premium hospital grade isolated ground straight blade receptacles

Project Name:	Prepared By:
Project Number:	Date:
Catalog Number:	Type:

Description

2-Pole, 3-Wire Grounding
 15A 125V/AC,
 20A 125V/AC, 20A 250V/AC
 NEMA 5-15, 5-20, 6-20



IG8200



IG8210

Design features

- Exclusive screw terminal guards provide fast, easy insulation from conductive surfaces (duplex only)
- Exclusive 5-leaf, brass line contacts provide consistent performance and superior plug retention (duplex only)
- Rigid, glass reinforced nylon base lends ultimate strength and superior high heat resistance in contact carrier (duplex only)
- 0.030" (0.76mm) solid brass, nonriveted, integral one-piece isolated grounding shunt system assures ground integrity under heaviest use – isolated from common building ground (duplex only)
- High impact and chemical-resistant nylon face
- Tapered lead-in slots on back wiring holes assist in gathering stranded wires for faster, more secure connections
- All terminal and mounting screws triple combination (Slot/Phillips/Robertson) head for maximum installer flexibility
- Long, broad mounting strap helps reach large panel cutouts for code compliance
- Automatic grounding system eliminates need for bonding jumper in grounded metal enclosure, provides redundant measure of ground continuity where jumper used
- Screw-Catch feature on duplex devices speeds mounting of wallplates

Table 1. Premium Hospital Grade Isolated Ground Receptacles, Back & Side Wire

Catalog No.	Description	Amps	Volts	Color Suffix
IG8200__	NEMA 5-15R Premium IG Duplex Hospital Grade Receptacle, Back & Side Wire	15	125	GY, RD, RN, V, W
IG8210__	NEMA 5-15R Premium IG Single Hospital Grade Receptacle, Back & Side Wire	15	125	RN
IG8300__	NEMA 5-20R Premium IG Duplex Hospital Grade Receptacle, Back & Side Wire	20	125	GY, RD, RN, V, W
IG8310__	NEMA 5-20R Premium IG Single Hospital Grade Receptacle, Back & Side Wire	20	125	RN
IG8400__	NEMA 6-20R Premium IG Duplex Hospital Grade Receptacle, Back & Side Wire	20	250	RN

Compliances, specifications and availability are subject to change without notice.



Powering Business Worldwide

Project Name:	Prepared By:
Project Number:	Date:
Catalog Number:	Type:

Applications

The grounding network in any commercial building serves as a means of protection for both people and equipment. However, it can also serve as a conductor for electromagnetic interference or electronic noise. Electronic noise can distort electronic signals and ultimately cause sensitive electronic equipment to operate improperly. In a healthcare environment, the transfer of reliable, “undistorted” information is crucial. Eaton’s line of premium industrial grade isolated ground receptacles utilize our exclusive 0.030” solid brass, non-riveted, integral one-piece isolated grounding shunt system to assure ground integrity under the heaviest use.

Table 2. Specifications

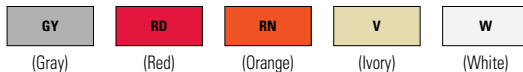
Catalog No.	IG8200, IG8300, IG8400 Series	IG8210, IG8310 Series
Device Type	Isolated Ground Duplex Hospital Grade Receptacles	Premium Hospital Grade Single Isolated Ground Receptacles
Wiring Type	Back & side wire	Back & side wire
Testing & Code Compliance	<ul style="list-style-type: none"> UL Listed to UL 498, file no. E15058 UL verified to Federal Spec. WC-596G CSA certified to CSA spec C22.2, no. 42 NOM Certified 	<ul style="list-style-type: none"> Listed to UL 498, file no. E2369 CSA certified to C22.2, no. 42, file no. 6914 (6233-01) NOM Certified
Environmental Specifications	Flammability: Meets UL 94 requirements; V2 rated Temperature Rating: -20°C to 70°C (-4°F to 158°F).	Flammability: Meets UL 94 requirements; V2 rated Temperature Rating: -40°C to 60°C (-40°F to 140°F).
Electrical Specifications	Dielectric Voltage: Withstands 2000V per UL 498 Current Interrupting: Yes, at full-rated current Temperature Rise: Max. 30°C (86°F) after 250 cycles of overload @ 200% of rated current (DC)	Dielectric Voltage: Withstands 2000V per UL 498 Current Interrupting: Yes, at full-rated current Temperature Rise: Max. 30°C (86°F) after 250 cycles of overload @ 200% of rated current (DC)
Mechanical Specifications	Terminal Accommodation: #14 - 10 AWG Voltage Ratings: Permanently marked on device	Terminal Accommodation: #14 - 10 AWG Voltage Ratings: Permanently marked on device

Table 3. Materials

Catalog No.	IG8200, IG8300, IG8400 Series	IG8210, IG8310 Series
Face	Nylon	Nylon
Base	Glass-filled nylon	Nylon
Strap	0.05" thick solid steel	0.05" thick solid steel
Auto Ground	Brass clip	Phosphor bronze staple
Line Contacts	0.031" thick 5-leaf 688 grade high-performance brass	0.037" thick 3-leaf brass
Ground Contact	0.030" thick brass grounding shunt	Riveted
Terminal Screws	#8-32 steel	#8-32 steel
Ground Screw	#8-32 steel (green)	#8-32 steel (green)
Screw Terminal Guards	PVC	N/A

Table 4. Color Ordering Information

For ordering devices, include Cat. No. followed by the color code: GY (Gray), RD (Red), RN (Orange), V (Ivory), W (White)



Project Name:	Prepared By:
Project Number:	Date:
Catalog Number:	Type:

Product Dimensions

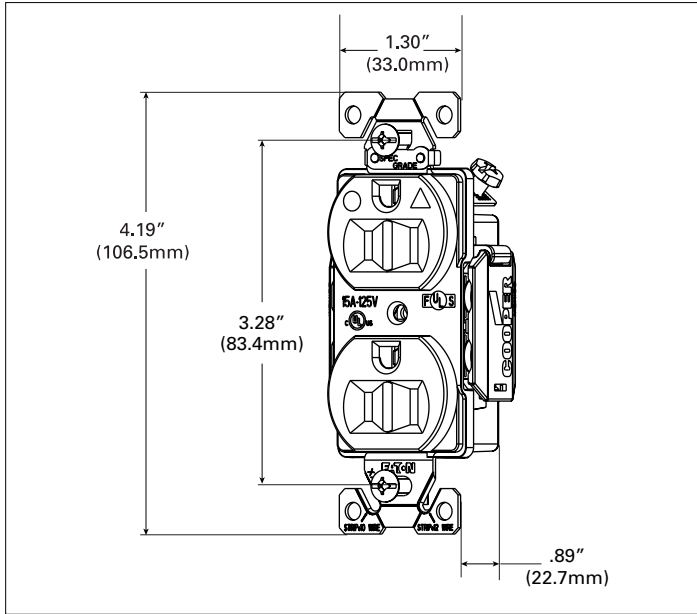


Figure 1. IG8200 Line Art with Dimensions

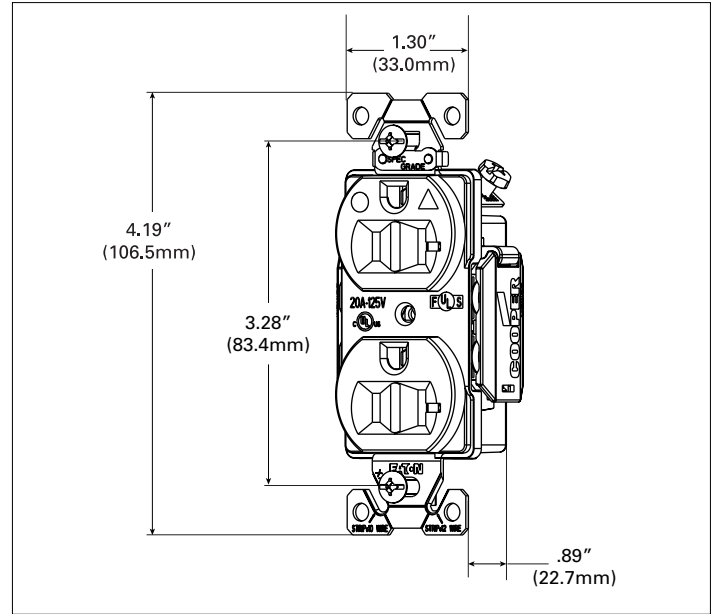


Figure 2. IG8300 Line Art with Dimensions

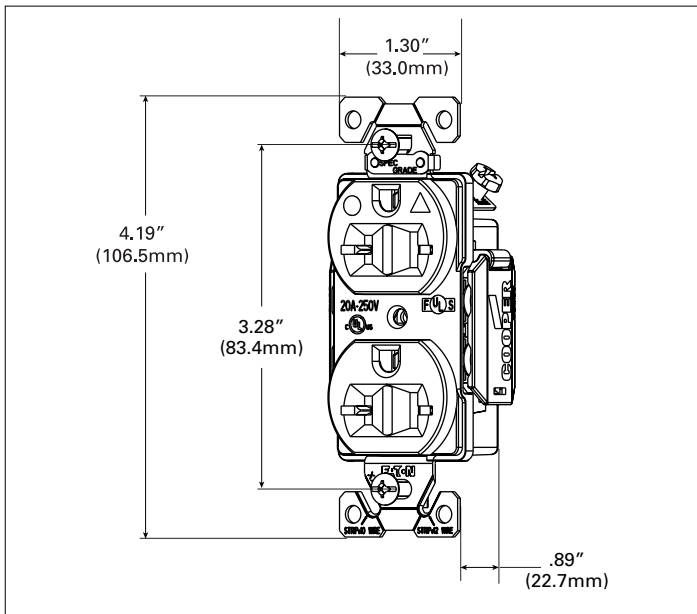


Figure 3. IG8400 Line Art with Dimensions

Project Name:	Prepared By:
Project Number:	Date:
Catalog Number:	Type:

Product Dimensions

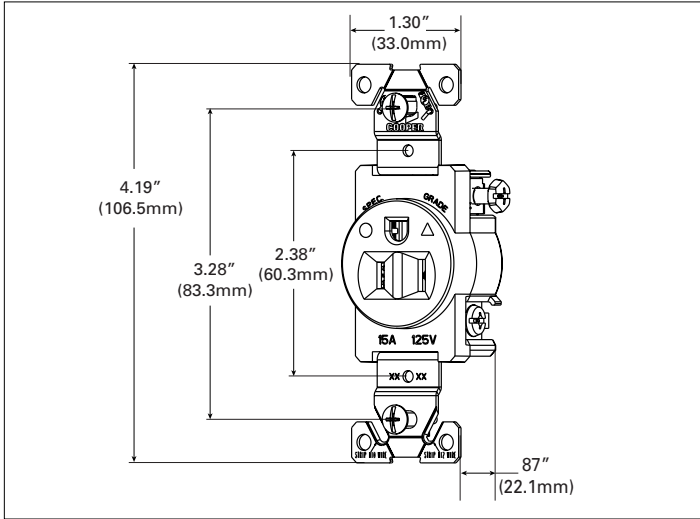


Figure 4. IG8210 Line Art with Dimensions

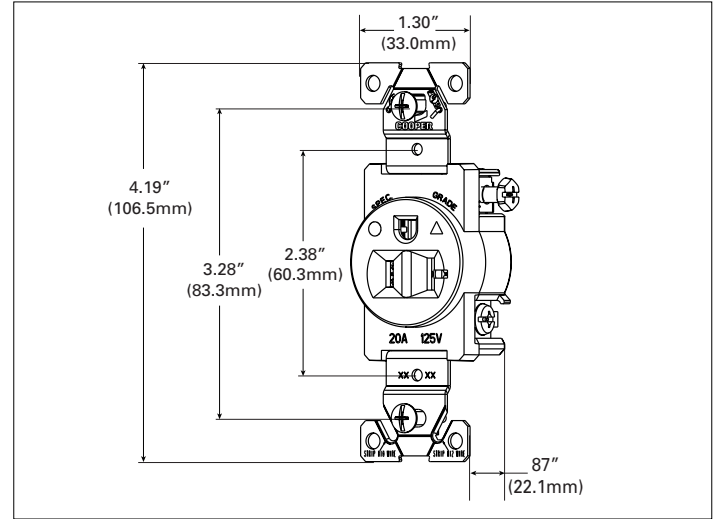


Figure 5. IG8310 Line Art with Dimensions

Certifications & Compliances

Catalog No.	cULus	UL	FCS	USA	CS	NOM 426	Arrowlink	Build-To-Spec	ROHS
IG8200	•	•	•	•	•	•	•	•	•
IG8210	•	•	•	•	•	•	•	•	•
IG8300	•	•	•	•	•	•	•	•	•
IG8310	•	•	•	•	•	•	•	•	•
IG8400	•	•	•	•	•	•	•	•	•

KEY: cULus cULus UL UL FCS Fed Spec USA NAFTA CS CSA
 NOM 426 NOM Arrowlink Build-To-Spec ROHS

Parts are manufactured and designed in accordance with article 4 of the European Union's RoHS2 directive 2011/65/EU

Build-To-Spec Customizable Devices

Compliances, specifications and availability are subject to change without notice.

Electrical Sector
203 Cooper Circle
Peachtree City, GA 30269
United States
Eaton.com
Eaton.com/arrowhart

Electrical Sector
Canada Operations
5925 McLaughlin Road
Mississauga, Ontario, L5R 1B8
Canada
EatonCanada.ca
Eaton.com/arrowhart

Electrical Sector
Mexico Operations
Carr. Tlalnepantla -
Cuautitlán Km 17.8 s/n
Col. Villa Jardín esq.
Cerrada 8 de Mayo
Cuautitlán, México CP 54800
México
Eaton.mx
Eaton.com/arrowhart