

Industrial grade straight blade quick grip devices

Project Name:	Prepared By:
Project Number:	Date:
Catalog Number:	Type:



AH5965BK



AH5969BK



AH5965Y



AH5969Y

Description

NEMA 5-15, 6-15, 5-20 & 6-20, 15 & 20A, 125 & 250V/AC, 2P-3W



Design features for plugs & connectors

- Designed for quick, secure installation and easy, long-lasting use
- Rugged nylon construction
- Roomy wiring chamber for fast and easy installation
- Scalloped ergonomic design provides a comfortable grip during installation and operation

Table 1. Industrial Grade Straight Blade Quick Grip Devices

Catalog No.	Description	Amps	Volts	Color
<input type="checkbox"/> AH5965BK	Quick grip plug	15	125	Black
<input type="checkbox"/> AH5965Y	Quick grip plug	15	125	Yellow
<input type="checkbox"/> AH5969BK	Quick grip connector	15	125	Black
<input type="checkbox"/> AH5969Y	Quick grip connector	15	125	Yellow
<input type="checkbox"/> AH5666BK	Quick grip plug	15	250	Black
<input type="checkbox"/> AH5666Y	Quick grip plug	15	250	Yellow
<input type="checkbox"/> AH5669BK	Quick grip connector	15	250	Black
<input type="checkbox"/> AH5669Y	Quick grip connector	15	250	Yellow
<input type="checkbox"/> AH5364BK	Quick grip plug	20	125	Black
<input type="checkbox"/> AH5364Y	Quick grip plug	20	125	Yellow
<input type="checkbox"/> AH5369BK	Quick grip connector	20	125	Black
<input type="checkbox"/> AH5369Y	Quick grip connector	20	125	Yellow
<input type="checkbox"/> AH5464BK	Quick grip plug	20	250	Black
<input type="checkbox"/> AH5464Y	Quick grip plug	20	250	Yellow
<input type="checkbox"/> AH5469BK	Quick grip connector	20	250	Black
<input type="checkbox"/> AH5469Y	Quick grip connector	20	250	Yellow

Compliances, specifications and availability are subject to change without notice.



Powering Business Worldwide

Project Name:	Prepared By:
Project Number:	Date:
Catalog Number:	Type:

Plugs & Connectors

NEMA 5-15, 6-15, 5-20 & 6-20, 15 & 20A, 125 & 250V/AC, 2P-3W

Table 2. Specifications

Catalog No.	NEMA 5-15, 6-15, 5-20 & 6-20 Quick Grip Plugs & Connectors
NEMA Config	NEMA 5-15, 6-15, 5-20 & 6-20
Wiring Type	Back wire
Environmental Specifications	Flammability: Meets UL94 requirements; V2 rated Temperature Rating: -40°C to 75°C (-40°F to 167°F)
Electrical Specifications	Dielectric Voltage: Twice the device rating + 1000V per UL498 Current Interrupting: Yes, at full-rated current Temperature Rise: Max. 30°C (86°F) after 250 cycles of overload @ 200% of rated current (DC)
Mechanical Specifications	Terminal Accommodation: #18 - #12 AWG Voltage Ratings: Permanently marked on device

Table 3. Materials

Catalog No.	NEMA 5-15, 6-15, 5-20 & 6-20 Quick Grip Plugs & Connectors
NEMA Config	NEMA 5-15, 6-15, 5-20 & 6-20
Outer Shell	Nylon
Terminal Retainer	Polycarbonate
Blades	0.060" thick brass
Line Contacts	0.031" thick brass
Terminal Clamps	Steel, zinc plated
Terminal Screws	#8-32 steel, brass plated (hot) and nickel plated (neutral)
Ground Contact	Brass
Ground Screw	#8-32 steel, zinc plated (green)
Assembly/ Mounting Screws	Steel, zinc plated
Cord Clamp	Nylon
Cord Clamp Screws	Steel

Product Dimensions

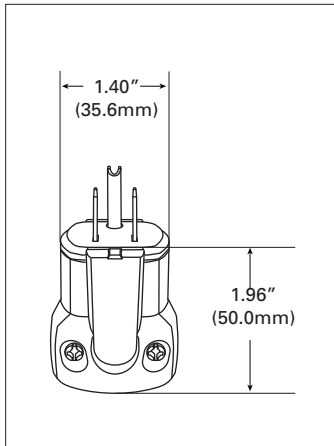


Figure 1. Quick Grip Plug

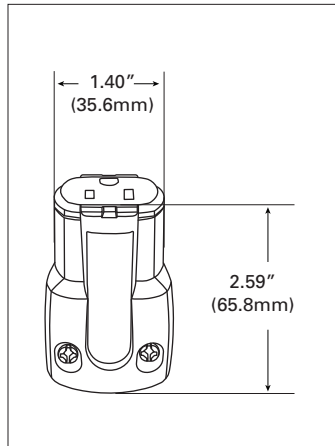


Figure 2. Quick Grip Connector

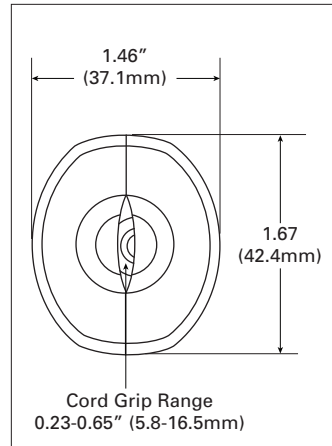






Figure 3. Quick Grip Base Angle


Compliances, specifications and availability are subject to change without notice.

Project Name:	Prepared By:
Project Number:	Date:
Catalog Number:	Type:

Certifications & Compliances

Catalog No.				
AH5965BK	•	•	•	•
AH5965Y	•	•	•	•
AH5969BK	•	•	•	•
AH5969Y	•	•	•	•
AH5666BK	•	•	•	•
AH5666Y	•	•	•	•
AH5669BK	•	•	•	•
AH5669Y	•	•	•	•
AH5364BK	•	•	•	•
AH5364Y	•	•	•	•
AH5369BK	•	•	•	•
AH5369Y	•	•	•	•
AH5464BK	•	•	•	•
AH5464Y	•	•	•	•
AH5469BK	•	•	•	•
AH5469Y	•	•	•	•

KEY:  cULus  Fed Spec  NAFTA  ROHS

 Parts are manufactured and designed in accordance with article 4 of the European Union's RoHS2 directive 2011/65/EU

Compliances, specifications and availability are subject to change without notice.

Electrical Sector
203 Cooper Circle
Peachtree City, GA 30269
United States
Eaton.com
Arrowhart.com

Electrical Sector
Canada Operations
5925 McLaughlin Road
Mississauga, Ontario, L5R 1B8
Canada
EatonCanada.ca
Arrowhart.com

Electrical Sector
Mexico Operations
Carr. Tlalnepantla -
Cauatitlan Km 178 s/n
Col. Villa Jardin esq.
Cerrada 8 de Mayo
Cauatitlan, Mexico CP 54800
Mexico
Eaton.mx
Arrowhart.com

Eaton
1000 Eaton Boulevard
Cleveland, OH 44122
United States
Eaton.com

© 2014 Eaton
All Rights Reserved
Printed in USA
Publication No. 125-0066-13
January 2014

Eaton is a registered trademark.

All other trademarks are property
of their respective owners.