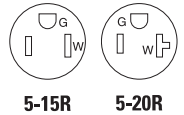


# Arrow Hart commercial grade combination GFCI with nightlight

Project Name:	Prepared By:
Project Number:	Date:
Catalog Number:	Type:

## Description

2-pole, 3-wire grounding  
 15A, 125V/AC  
 20A, 125V/AC



TRSGFNL15

## Design features

- UL listed, fully compliant with all latest UL 943 and UL 498 safety standards
- Lock-out functionality protects from mis-wired line-load connections and GFCI circuitry damage
- Nightlight is controlled by a light sensor that turns the light ON in the dark and OFF in light
- LEDs produce color temperature of 3000-3500K for a warm “incandescent-like” glow
- Ground termination with backwire clamp provides secure wiring and reduces installation time
- Tapered backwire openings handle multiple wire sizes and types for applications up to #10 AWD solid or stranded wire
- When downstream receptacles are wired from load side, a 20A feed-through rating offers full protection
- Tamper resistant shutters provide compliance with 2014 NEC Article 406.12
- Double and triple wipe blade contacts and double wipe ground contacts to insure long-term blade retention
- Visual indicator light provides quick visual reference of a tripped or “end of life” condition
- Matching standard size thermoplastic wallplate included

**Table 1. Commercial grade combination GFCI with nightlight**

Catalog no.	Description	Rating			Color suffix
		A	V/AC	NEMA	
<input type="checkbox"/> TRSGFNL15	Tamper resistant duplex GFCI with nightlight, back & side wire	15	125	5-15R	A, BK, LA, V, W
<input type="checkbox"/> TRSGFNL20	Tamper resistant duplex GFCI with nightlight, back & side wire	20	125	5-20R	A, BK, LA, V, W

Includes standard size unbreakable wallplate unless otherwise noted

**Compliances, specifications and availability are subject to change without notice.**



Powering Business Worldwide

Project Name:	Prepared By:
Project Number:	Date:
Catalog Number:	Type:

## Applications

The Arrow Hart line of GFCIs provides the safest design possible by denying power if the device is mis-wired or if it is no longer providing GFCI protection. The combination GFCI with nightlight adds an additional safety feature by providing easy way-finding in the dark. The tamper resistant shutters prevent foreign objects from being inserted and provide code compliance for both residential and commercial applications.

**Table 2. Specifications**

<b>Catalog no.</b>	<b>TRVGFNL15 and TRVGFNL20 series</b>
<b>Device type</b>	<b>Combination GFCI with nightlight</b>
<b>Wiring type</b>	Back & side wire
<b>Testing &amp; code compliance</b>	<ul style="list-style-type: none"> <li>• cULus Listed to UL 498 and UL 943, file no. E60120</li> <li>• Meets all UL 943 (GFCI), UL 498 (receptacles) and applicable CSA requirements</li> <li>• NOM certified</li> </ul>
<b>Environmental specifications</b>	<b>Flammability:</b> Meets UL 94 requirements; V2 rated <b>Temperature rating:</b> -35°C to 66°C (-31°F to 150.8°F)
<b>Electrical specifications</b>	<b>Dielectric voltage:</b> Withstands 2000V per UL 498 <b>Current interrupting:</b> Yes, at full-rated current <b>Temperature rise:</b> Max. 30°C (86°F) after 100 cycles of overload @ 150% of rated current (DC) <b>Trip time:</b> 0.025 seconds (Class A) <b>Frequency:</b> 60 Hz; Voltage: 125V; Amperage: 15A/20A 20A feed-through <b>Short circuit testing:</b> Meets and exceeds 10 kA <b>Maximum interrupting capacity:</b> 20 Amps
<b>Mechanical specifications</b>	<b>Terminal accommodation:</b> #14 - 10 AWG <b>Voltage ratings:</b> Permanently marked on device

**Table 3. Materials**

<b>Catalog no.</b>	<b>TRVGFNL15 and TRVGFNL20 series</b>
<b>Top housing</b>	Thermoplastic, polypropylene
<b>Lens</b>	Thermoplastic, PC
<b>Bottom housing</b>	Thermoplastic, PVC
<b>Strap</b>	0.047" thick steel, zinc-plated
<b>Line contacts</b>	0.030" thick brass
<b>Ground contact</b>	0.014" thick brass
<b>Terminal screw</b>	#8-32 steel, brass-plated; neutral screw nickel-plated
<b>Ground screw</b>	#8-32 steel, zinc-plated; green

**Table 4. Illumination**

<b>Catalog no.</b>	<b>TRVGFNL15A and TRVGFNL20W series</b>
<b>Light source</b>	4 LEDs, 50 Max lumens output, 0.5Fc @ 0.9 ft 50,000 hours lamp life

**Table 5. GFCI status indicator**

Test indicator RED LED	Test indicator AMBER LED	Diagnosis	Color suffix
OFF	OFF	Device is functioning properly OR branch circuit may have no power	Manually depress TEST button to trip device. <b>Amber</b> light should come ON <ul style="list-style-type: none"> <li>• If <b>Amber</b> light does <u>not</u> come ON, check if there is power to the branch</li> <li>• If <b>Amber</b> light does come ON, manually depress the RESET button to restore power to the device</li> <li>• If GFCI does not reset, replace GFCI</li> <li>• If GFCI does reset, device is functioning properly</li> </ul>
OFF	<b>ON</b>	Device is in tripped state	Manually depress the RESET button to restore power to the device <ul style="list-style-type: none"> <li>• If GFCI does not reset, replace GFCI</li> </ul>
Blinking	OFF	Device's "end of life" indication OR device is in reset state	Manually depress TEST button to trip device. <b>Amber</b> light should come ON <ul style="list-style-type: none"> <li>• If <b>Amber</b> light does <u>not</u> come ON, check if there is power to the branch</li> <li>• If <b>Amber</b> light does come ON, manually depress the RESET button to restore power to the device</li> <li>• If it does not reset, and/or the blinking continues, replace GFCI</li> </ul>
Blinking	<b>ON</b>	Device's "end of life" indication OR device is in tripped state	Manually depress the RESET button to restore power to the device <ul style="list-style-type: none"> <li>• If it does not reset, and/or the blinking continues, replace GFCI</li> </ul>

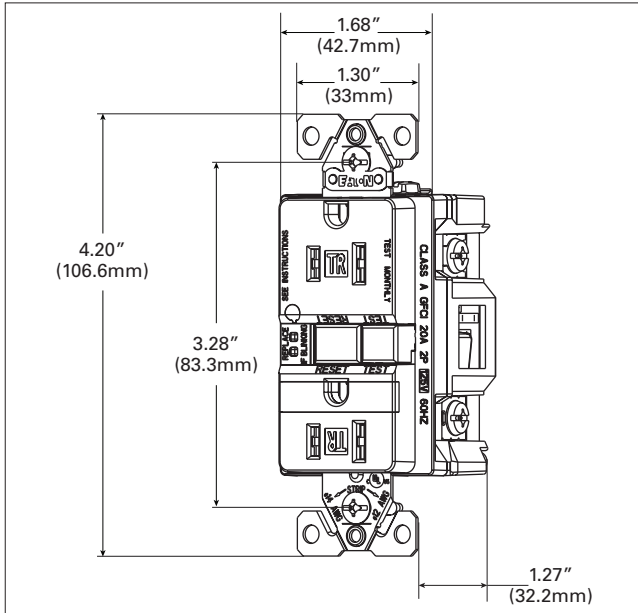
Project Name:	Prepared By:
Project Number:	Date:
Catalog Number:	Type:

**Table 6. Color ordering information**

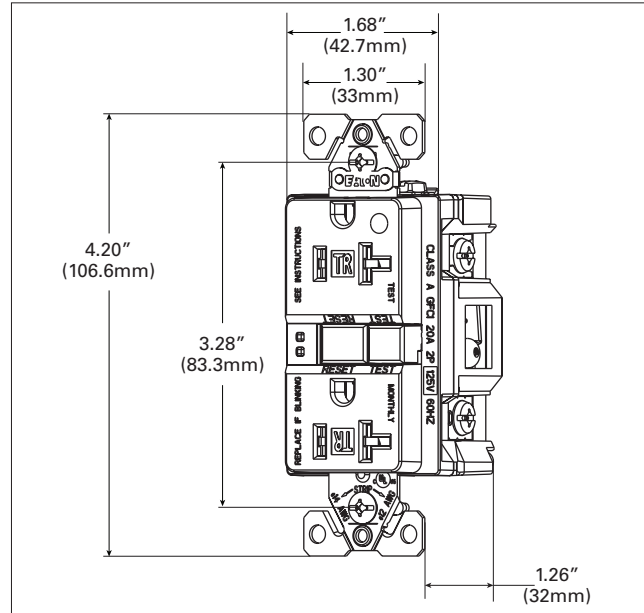
A	BK	LA	V	W
Almond	Black	Lt. Almond	Ivory	White

For ordering devices, include Cat. no. followed by the color code: B (Brown), BK (Black), GY (Gray), LA (Light Almond), RD (Red), V (Ivory), W (White)

**Product dimensions**



**Figure 1. TRSGFNL15 Line art with dimensions**



**Figure 2. TRSGFNL20 Line art with dimensions**

**Certifications & compliances**

Catalog no.				
TRSGFNL15	•	•	•	•
TRSGFNL20	•	•	•	•

**KEY:** cULus NOM Arrowlink Build-To-Spec

Build-To-Spec Customizable Devices

Electrical Sector  
203 Cooper Circle  
Peachtree City, GA 30269  
United States  
Eaton.com  
Cooperwiringdevices.com

Electrical Sector  
Canada Operations  
5925 McLaughlin Road  
Mississauga, Ontario, L5R 1B8  
Canada  
EatonCanada.ca  
Cooperwiringdevices.com

Electrical Sector  
Mexico Operations  
Carr. Tlalnepantla -  
Cuautitlán Km 17.8 s/n  
Col. Villa Jardin esq.  
Cerrada 8 de Mayo  
Cuautitlán, México CP 54800  
México  
Eaton.mx  
Cooperwiringdevices.com