

Date: _____
 In hands date of project: _____
 Project name/Number: _____
 Name of distributor: _____
 Client #: _____
 Name of end user: _____



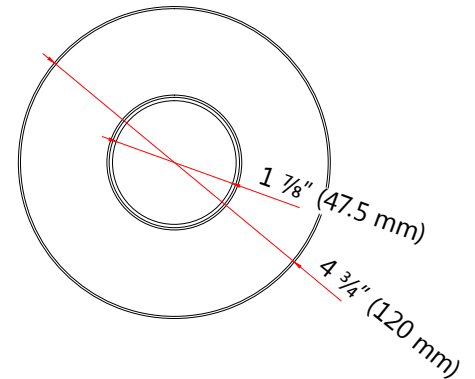
ORDERING INFORMATION

Order code: 65436
 Description: LED/DL/GIMBAL/4IN/TRIM/RND/FLAT/WH/STD
 UPC: 69549654365
 Case quantity: 96

SPECIFICATIONS

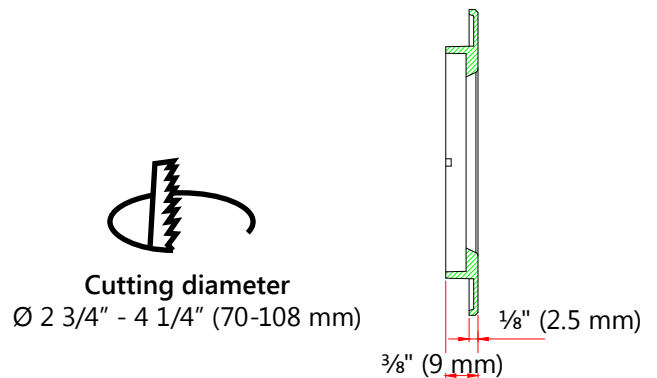
Shape: Round
 Type: Flat
 Trim material: Diecast aluminum
 Colour: White
 Aperture: Round
 Aperture diameter: 1 7/8" (47.5 mm)
 Diameter: 4 3/4" (120 mm)
 Installation method: Twist-lock

TECHNICAL DRAWINGS



COMPATIBLE MODULES*

Order code	Description
65420	LED/DL/GIMBAL/MOD/7W/30K/WH/STD
65421	LED/DL/GIMBAL/MOD/7W/40K/WH/STD



*Gimbal LED Modules are sold separately.

Qty	Description	Price

I accept the specifications of the luminaire configuration mentioned above.

Name: _____
 Company: _____
 Signature: _____

Date: _____