

Date: _____
 In hands date of project: _____
 Project name/Number: _____
 Name of distributor: _____
 Client #: _____
 Name of end user: _____



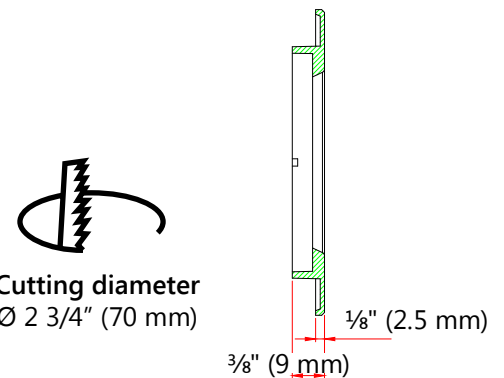
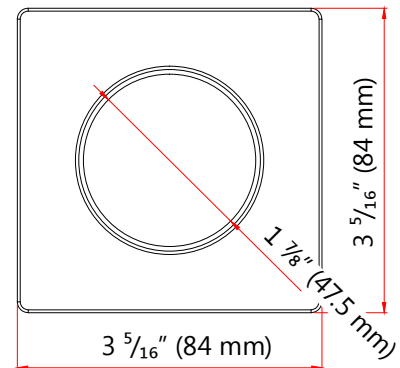
ORDERING INFORMATION

Order code: 65435
 Description: LED/DL/GIMBAL/3IN/TRIM/SQR/FLAT/BN/STD
 UPC: 69549654358
 Case quantity: 96

SPECIFICATIONS

Shape: Square
 Type: Flat
 Trim material: Diecast aluminum
 Colour: Brushed Nickel
 Aperture: Round
 Aperture diameter: 1 7/8" (47.5 mm)
 Diameter: 3 5/16" (84 mm)
 Installation method: Twist-lock

TECHNICAL DRAWINGS



COMPATIBLE MODULES*

Order code	Description
65422	LED/DL/GIMBAL/MOD/7W/30K/BN/STD
65423	LED/DL/GIMBAL/MOD/7W/40K/BN/STD



*Gimbal LED Modules are sold separately.

Qty	Description	Price

I accept the specifications of the luminaire configuration mentioned above.

Name: _____
 Company: _____
 Signature: _____

Date: _____

Data is based upon tests performed in a controlled environment and representative of relative performance. Actual performance can vary depending on operating conditions. Specifications are subject to change without notice.