



# LED Ceiling Luminaire

Discover our LED ceiling luminaire line equipped with high quality integrated LEDs: they are an energy efficient solution with a life rating of over 50 000 hours. This line offers a pleasant, dimmable light making a great solution for any general lighting needs. Thanks to our variety of decorative options you can enjoy direct or indirect lighting fitting seamlessly into any commercial and residential installations.

# LED Traditional

02



6", 8"



11", 14"

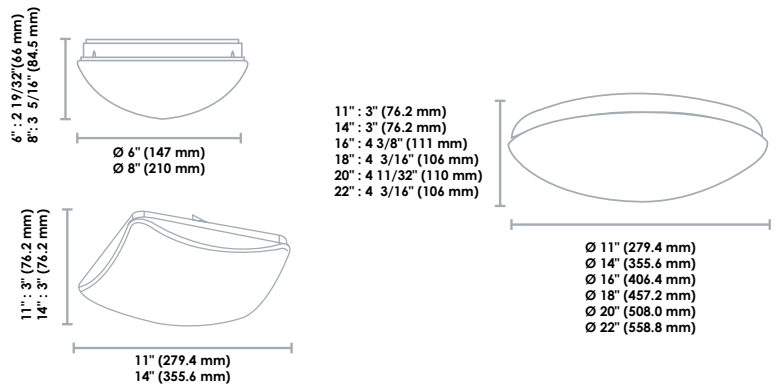


16", 18", 20", 22"

Order code	Description	Watts (W)	Volts (VAC)	Colour temp. (K)	Lumen output (lm)	CRI	Life L70 (hrs)	Beam angle (°)	Size (in.)	Shape	Finish	Case qty (master)
<b>6", 8"</b>												
64154	LED/CL6/10W/30K/FM/RND/STD	10	120	3 000	600	80	50 000	120	6	Round	White	24
64155	LED/CL6/10W/40K/FM/RND/STD	10	120	4 000	600	80	50 000	120	6	Round	White	24
64156	LED/CL8/12W/30K/FM/RND/STD	12	120	3 000	800	80	50 000	120	8	Round	White	12
64157	LED/CL8/12W/40K/FM/RND/STD	12	120	4 000	800	80	50 000	120	8	Round	White	12
<b>11", 14"</b>												
65598	LED/CL11/15W/27K/FM/RND/STD	15	120	2 700	1 050	80	50 000	120	11	Round	White	4
63298	LED/CL11/15W/30K/FM/RND/STD	15	120	3 000	1 050	80	50 000	120	11	Round	White	4
63299	LED/CL11/15W/40K/FM/RND/STD	15	120	4 000	1 000	80	50 000	120	11	Round	White	4
63300	LED/CL11/15W/30K/FM/SQR/STD	15	120	3 000	1 050	80	50 000	120	11	Square	White	4
63301	LED/CL11/15W/40K/FM/SQR/STD	15	120	4 000	1 000	80	50 000	120	11	Square	White	4
65599	LED/CL14/25W/27K/FM/RND/STD	25	120	2 700	1 700	80	50 000	120	14	Round	White	4
63302	LED/CL14/25W/30K/FM/RND/STD	25	120	3 000	1 700	80	50 000	120	14	Round	White	4
63303	LED/CL14/25W/40K/FM/RND/STD	25	120	4 000	1 650	80	50 000	120	14	Round	White	4
63304	LED/CL14/25W/30K/FM/SQR/STD	25	120	3 000	1 700	80	50 000	120	14	Square	White	4
63305	LED/CL14/25W/40K/FM/SQR/STD	25	120	4 000	1 650	80	50 000	120	14	Square	White	4
<b>16", 18", 20", 22"</b>												
65665	LED/CL16/26W/30K/FM/RND/STD	26	120	3 000	2 034	80	50 000	120	16	Round	White	4
65666	LED/CL16/26W/40K/FM/RND/STD	26	120	4 000	2 170	80	50 000	120	16	Round	White	4
65667	LED/CL18/32W/30K/FM/RND/STD	32	120	3 000	2 644	80	50 000	120	18	Round	White	4
65668	LED/CL18/32W/40K/FM/RND/STD	32	120	4 000	2 898	80	50 000	120	18	Round	White	4
65661	LED/CL20/37W/30K/FM/RND/STD	37	120	3 000	3 098	80	50 000	120	20	Round	White	2
65662	LED/CL20/37W/40K/FM/RND/STD	37	120	4 000	3 144	80	50 000	120	20	Round	White	2
65663	LED/CL22/40W/30K/FM/RND/STD	40	120	3 000	3 424	80	50 000	120	22	Round	White	2
65664	LED/CL22/40W/40K/FM/RND/STD	40	120	4 000	3 534	80	50 000	120	22	Round	White	2

## Replacement Lenses

Order code	Description	Replacement for
64867	LED/CL6/LENS/RND/STD	64154, 64155
64868	LED/CL8/LENS/RND/STD	64156, 64157
64869	LED/CL11/LENS/RND/STD	63298, 63299, 65598
64877	LED/CL11/LENS/SQR/STD	63300, 63301
64878	LED/CL14/LENS/RND/STD	63302, 63303, 65599
64879	LED/CL14/LENS/SQR/STD	63304, 63305



Lumen values are derived from photometric testing  
For a complete list of compatible dimmers and ENERGY STAR qualified products, please visit [www.standardpro.com](http://www.standardpro.com)

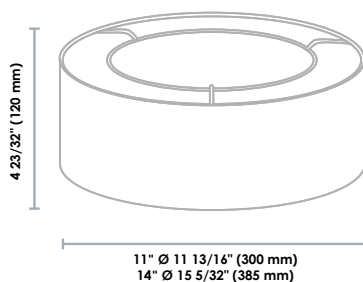
# Shade

Our shades create a warm and elegant atmosphere, they complement our 11" and 14" LED traditional ceiling luminaires and are offered in assorted materials and textures which allows you to create a specific ambient style.

- Drum profile only
- Materials and textures available: silk type, cork, wood, and linen type



Order code	Description	Shape	Material	Finish	Compatible luminaire	Case qty (master)
<b>For 11" Luminaires</b>						
65681	LED/CL11/SHADE/RND/WHITE/STD	Round	Linen type	White	65598, 63298, 63299	6
65682	LED/CL11/SHADE/RND/BEIGE/STD	Round	Linen type	Beige	65598, 63298, 63299	6
65683	LED/CL11/SHADE/RND/BLACK/STD	Round	Linen type	Black	65598, 63298, 63299	6
65684	LED/CL11/SHADE/RND/DGRAY/STD	Round	Linen type	Grey	65598, 63298, 63299	6
65685	LED/CL11/SHADE/RND/WOOD/STD	Round	Wood	Wood	65598, 63298, 63299	6
65686	LED/CL11/SHADE/RND/CORK/STD	Round	Cork	Cork	65598, 63298, 63299	6
65687	LED/CL11/SHADE/RND/WFROST/STD	Round	Silk type	White frosted	65598, 63298, 63299	6
66044	LED/CL11/SHADE/RND/BRNW/STD	Round	Wood	Barn wood	65598, 63298, 63299	6
<b>For 14" Luminaires</b>						
65688	LED/CL14/SHADE/RND/WHITE/STD	Round	Linen type	White	65599, 63302, 63303	6
65689	LED/CL14/SHADE/RND/BEIGE/STD	Round	Linen type	Beige	65599, 63302, 63303	6
65690	LED/CL14/SHADE/RND/BLACK/STD	Round	Linen type	Black	65599, 63302, 63303	6
65691	LED/CL14/SHADE/RND/DGRAY/STD	Round	Linen type	Grey	65599, 63302, 63303	6
65692	LED/CL14/SHADE/RND/WOOD/STD	Round	Wood	Wood	65599, 63302, 63303	6
65693	LED/CL14/SHADE/RND/CORK/STD	Round	Cork	Cork	65599, 63302, 63303	6
65694	LED/CL14/SHADE/RND/WFROST/STD	Round	Silk type	White Frosted	65599, 63302, 63303	6
66045	LED/CL14/SHADE/RND/BRNW/STD	Round	Wood	Barn wood	65599, 63302, 63303	6



# LED Brushed Nickel



6", 8"

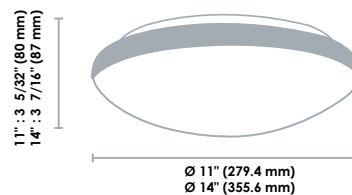
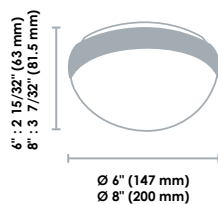


11", 14"

Order code	Description	Watts (W)	Volts (VAC)	Colour temp. (K)	Lumen output (lm)	CRI	Life L70 (hrs)	Beam angle (°)	Finish	Case qty (master)
<b>6" Round</b>										
64247	LED/CLBN5.75/10W/30K/FM/RND/STD	10	120	3 000	550	80	50 000	120	Brushed nickel	24
64248	LED/CLBN5.75/10W/40K/FM/RND/STD	10	120	4 000	550	80	50 000	120	Brushed nickel	24
<b>8" Round</b>										
64249	LED/CLBN7.75/12W/30K/FM/RND/STD	12	120	3 000	750	80	50 000	120	Brushed nickel	12
64250	LED/CLBN7.75/12W/40K/FM/RND/STD	12	120	4 000	750	80	50 000	120	Brushed nickel	12
<b>11" Round</b>										
64095	LED/CLBN11/15W/30K/FM/RND/STD	15	120	3 000	1 200	80	50 000	120	Brushed nickel	4
64096	LED/CLBN11/15W/40K/FM/RND/STD	15	120	4 000	1 200	80	50 000	120	Brushed nickel	4
<b>14" Round</b>										
64099	LED/CLBN14/25W/30K/FM/RND/STD	25	120	3 000	2 000	80	50 000	120	Brushed nickel	4
64100	LED/CLBN14/25W/40K/FM/RND/STD	25	120	4 000	2 000	80	50 000	120	Brushed nickel	4

## Replacement Lenses

Order code	Description	Replacement for
64880	LED/CLBN5.75/LENS/RND/STD	64247, 64248
64881	LED/CLBN7.75/LENS/RND/STD	64249, 64250
64882	LED/CLBN11/LENS/RND/STD	64095, 64096
64883	LED/CLBN14/LENS/RND/STD	64099, 64100



Lumen values are derived from photometric testing. For a complete list of compatible dimmers and ENERGY STAR qualified products, please visit [www.standardpro.com](http://www.standardpro.com)

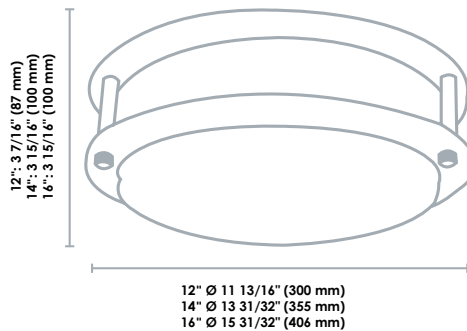
# LED Double Ring

02



12", 14", 16"

Order code	Description	Watts (W)	Volts (VAC)	Colour temp. (K)	Lumen output (lm)	CRI	Life L70 (hrs)	Beam angle (°)	Finish	Case qty (master)
<b>12" Round</b>										
65605	LED/CLDR/BN/12/20W/30K/FM/RND/STD	20	120	3 000	1 525	80	50 000	120	Brushed nickel	4
65606	LED/CLDR/BN/12/20W/40K/FM/RND/STD	20	120	4 000	1 531	80	50 000	120	Brushed nickel	4
<b>14" Round</b>										
65607	LED/CLDR/BN/14/25W/30K/FM/RND/STD	25	120	3 000	1 875	80	50 000	120	Brushed nickel	4
65608	LED/CLDR/BN/14/25W/40K/FM/RND/STD	25	120	4 000	1 931	80	50 000	120	Brushed nickel	4
<b>16" Round</b>										
65611	LED/CLDR/BN/16/26W/30K/FM/RND/STD	26	120	3 000	1 849	80	50 000	120	Brushed nickel	2
65612	LED/CLDR/BN/16/26W/40K/FM/RND/STD	26	120	4 000	2 007	80	50 000	120	Brushed nickel	2



Lumen values are derived from photometric testing  
 For a complete list of compatible dimmers and ENERGY STAR qualified products, please visit [www.standardpro.com](http://www.standardpro.com)





# LED Edge-Lit

The LED Edge-Lit ceiling luminaire has a very slim design for a modern and minimalist look. These thin luminaires are equipped with an LED edge-lit technology to eliminate hot spots on the surface and provide a crisp and even light. Offered in a variety of shapes and sizes, it will fit any application.

- Easy twist-lock installation
- No visible screws
- Safety cable included
- Frosted polycarbonate lens

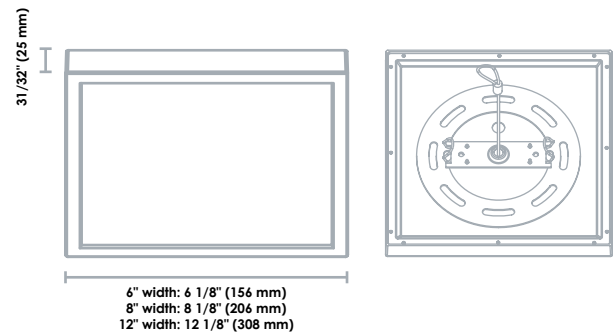
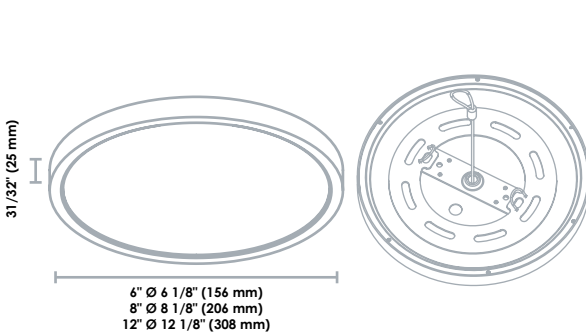


6", 8", 12"



6", 8", 12"

Order code	Description	Watts (W)	Volts (VAC)	Colour temp. (K)	Lumen output (lm)	CRI	Life L70 (hrs)	Finish	Case qty (master)
<b>6" Round</b>									
65454	LED/CL6/EDGELIT/11W/30K/FM/RND/WH/STD	11	120	3 000	855	≥80	50 000	White	20
65455	LED/CL6/EDGELIT/11W/40K/FM/RND/WH/STD	11	120	4 000	896	≥80	50 000	White	20
<b>6" Square</b>									
65460	LED/CL6/EDGELIT/11W/30K/FM/SQR/WH/STD	11	120	3 000	852	≥80	50 000	White	20
65461	LED/CL6/EDGELIT/11W/40K/FM/SQR/WH/STD	11	120	4 000	893	≥80	50 000	White	20
<b>8" Round</b>									
65456	LED/CL8/EDGELIT/14W/30K/FM/RND/WH/STD	14	120	3 000	1 066	≥80	50 000	White	20
65457	LED/CL8/EDGELIT/14W/40K/FM/RND/WH/STD	14	120	4 000	1 118	≥80	50 000	White	20
<b>8" Square</b>									
65462	LED/CL8/EDGELIT/14W/30K/FM/SQR/WH/STD	14	120	3 000	1 065	≥80	50 000	White	20
65463	LED/CL8/EDGELIT/14W/40K/FM/SQR/WH/STD	14	120	4 000	1 115	≥80	50 000	White	20
<b>12" Round</b>									
65458	LED/CL12/EDGELIT/22W/30K/FM/RND/WH/STD	22	120	3 000	1 647	≥80	50 000	White	10
65459	LED/CL12/EDGELIT/22W/40K/FM/RND/WH/STD	22	120	4 000	1 725	≥80	50 000	White	10
<b>12" Square</b>									
65464	LED/CL12/EDGELIT/22W/30K/FM/SQR/WH/STD	22	120	3 000	1 636	≥80	50 000	White	10
65465	LED/CL12/EDGELIT/22W/40K/FM/SQR/WH/STD	22	120	4 000	1 713	≥80	50 000	White	10



Lumen values are derived from photometric testing. For a complete list of compatible dimmers and ENERGY STAR qualified products, please visit [www.standardpro.com](http://www.standardpro.com)

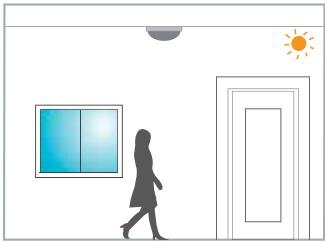




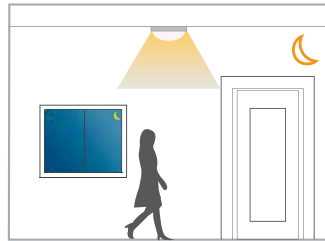
# LED Tri-Level

Dimming technology maximizes energy savings by intelligently managing illumination levels to avoid wasted energy. The luminaire is controlled by a motion sensor that triggers light levels from low to high upon occupancy, and users can adjust the luminaire's standby light levels by percentage of light, lux and dimming delay of full output.

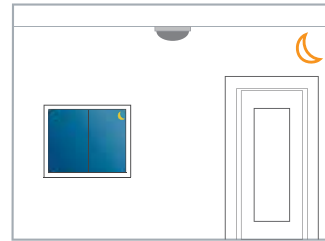
Perfect for lighting applications that require illumination 24/7, this technology represents a significant energy savings opportunity.



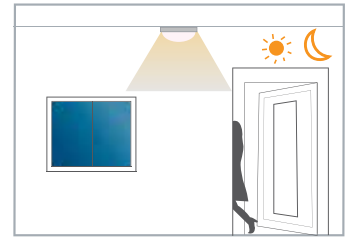
1. When there is sufficient natural light and a presence is detected the luminaire will not turn on, it will stay dimmed.



2. With insufficient natural light, the light is switched on automatically when presence is detected; it will remain on at 100% during the motion hold-time.



3. If no presence is detected the light dims to 10% and 30% (options) stand-by levels after the hold time.

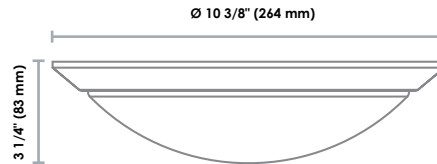


4. Optional: Light switches off automatically after the stand-by period has elapsed.

Order code	Description	Watts (W)	Volts (V)	Colour temp. (K)	Lumen output (lm)	CRI	Life L70 (hrs)	Beam angle (°)	Sensor type	Finish	Case qty (master)
------------	-------------	-----------	-----------	------------------	-------------------	-----	----------------	----------------	-------------	--------	-------------------

## 11" Round

65723	LED/CL11TLEV/12W/40K/FM/RND/STD	12	120	4 000	1 020	80	50 000	120	Dim or Off	White	4
-------	---------------------------------	----	-----	-------	-------	----	--------	-----	------------	-------	---



Lumen values are derived from photometric testing. For a complete list of compatible dimmers and ENERGY STAR qualified products, please visit [www.standardpro.com](http://www.standardpro.com)