





LED Outdoor

STANDARD offers a wide range of LED outdoor luminaires that are perfect for a large variety of applications which create a visual impact for your building. Whether you need to light up a pathway, entryway, parking area or enhance architectural features, you are sure to find the perfect lighting solution for your needs!

LED Wall Pack

STANDARD's wide variety of Wall Pack luminaires is perfect for many applications such as offices buildings, entryways, schools or parking areas. They are offered in different housing colours and wattages to create a seamless look with your environment.

- The full cutoff wall packs in 3 000 K are IDA (International - Dark Sky Association) approved
- 0-10 V dimming on dimmable models

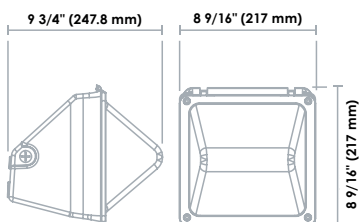


Classic 30 W

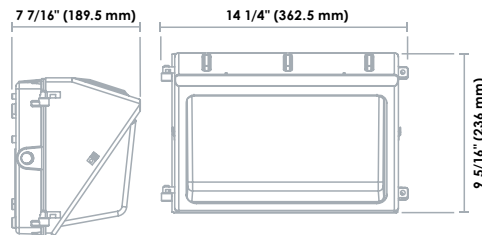


Classic 40, 50, 60, 120 W

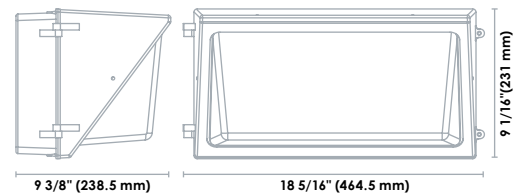
Order code	Description	Watts	Volts	Colour temp.	CRI	Life L70	Lumen output	Finish	Dimming capability	Traditionnal equivalent (W)		Case qty
		(W)	(VAC)	(K)		(hrs)	(lm)		(Yes/No)	MH	HPS	(master)
Classic Wall Packs												
65579	LWP/CLASSIC/S2/30W/40K/120-277V/BRZ/STD	30	120-277	4 000	≥70	50 000	2 778	Bronze	No	100	70	4
65582	LWP/CLASSIC/S2/40W/40K/347V/BRZ/STD	40	277-480	4 000	≥70	50 000	4 654	Bronze	No	175	100	1
65580	LWP/CLASSIC/S2/50W/40K/120-277V/BRZ/STD	50	120-277	4 000	≥70	50 000	5 110	Bronze	Yes	175	150	1
65581	LWP/CLASSIC/S2/60W/40K/120-277V/BRZ/STD	60	120-277	4 000	≥70	50 000	7 456	Bronze	Yes	250	200	1
66042	LWP/CLASSIC/S2/60W/40K/347/BRZ/STD	60	277-480	4 000	≥70	50 000	6 673	Bronze	Yes	250	200	1
66043	LWP/CLASSIC/120W/40K/120-277/BRZ/STD	120	120-277	4 000	≥70	50 000	14 212	Bronze	Yes	400	250	1



Classic 30 W



Classic 40, 50, 60 W



Classic 120 W

Integrated Dusk to Dawn photocell to maximize energy efficiency

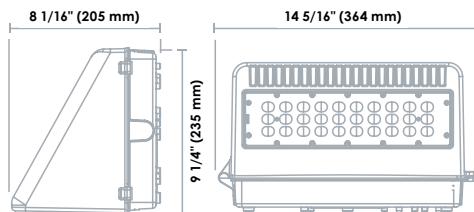


Full Cutoff

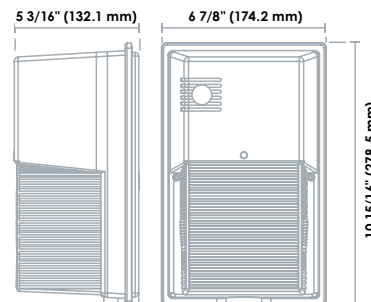


Square

Order code	Description	Watts	Volts	Colour temp.	CRI	Life L70	Lumen output	Finish	Dimming capability	Traditionnal equivalent (W)		Case qty
		(W)	(VAC)	(K)		(hrs)	(lm)		(Yes/No)	MH	HPS	(master)
Full Cutoff Wall Packs												
65565 ²	LWP/FCO/50W/30K/120-277/BRZ/STD	50	120-277	3 000	≥80	50 000	5 617	Bronze	No	175	150	1
65566	LWP/FCO/50W/40K/120-277/BRZ/STD	50	120-277	4 000	≥80	50 000	5 826	Bronze	No	175	150	1
65567 ²	LWP/FCO/80W/30K/120-277/BRZ/STD	80	120-277	3 000	≥80	50 000	8 957	Bronze	Yes	250	200	1
65568	LWP/FCO/80W/40K/120-277/BRZ/STD	80	120-277	4 000	≥80	50 000	9 053	Bronze	Yes	250	200	1
Square Wall Pack												
65570 ¹	LWP/SQR/S2/20W/40K/120-277/BRZ/STD	20	120-277	4 000	≥80	50 000	2 100	Bronze	No	70	70	6



Full Cutoff



Square



Lumen values are derived from photometric testing. For a complete list of compatible dimmers and DLC qualified products, please visit www.standardpro.com

¹ CAUTION: This product uses an input 100-277 VAC driver, the actual working voltage is dependent on the input voltage of the photocell that is installed on the product (where applicable)

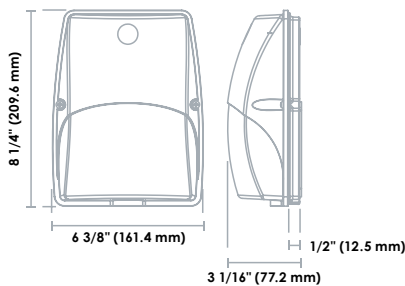


Integrated Dusk to Dawn photocell to maximize energy efficiency

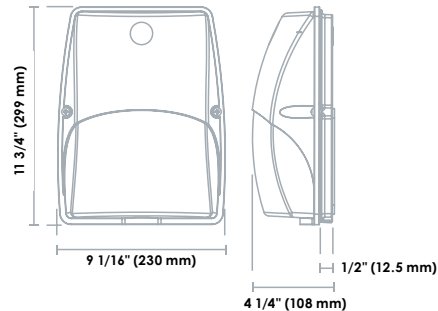


Sleek

Order code	Description	Watts	Volts	Colour temp.	CRI	Life L70	Lumen output	Finish	Traditionnal equivalent (W)		Case qty
		(W)	(VAC)	(K)		(hrs)	(lm)		MH	HPS	(master)
63771	LED/WP/18W/40K/120V/WH/PC/STD	18	120	4 000	≥80	50 000	1 750	White	70	50	12
63772	LED/WP/18W/40K/120V/BLK/PC/STD	18	120	4 000	≥80	50 000	1 750	Black	70	50	12
63773	LED/WP/18W/40K/120V/SLV/PC/STD	18	120	4 000	≥80	50 000	1 750	Silver	70	50	12
63774	LED/WP/18W/40K/120V/BRZ/PC/STD	18	120	4 000	≥80	50 000	1 750	Bronze	70	50	12
63775	LED/WP/30W/40K/120V/WH/PC/STD	30	120	4 000	≥80	50 000	2 800	White	100	70	12
63776	LED/WP/30W/40K/120V/BLK/PC/STD	30	120	4 000	≥80	50 000	2 800	Black	100	70	12
63777	LED/WP/30W/40K/120V/SLV/PC/STD	30	120	4 000	≥80	50 000	2 800	Silver	100	70	12
63778	LED/WP/30W/40K/120V/BRZ/PC/STD	30	120	4 000	≥80	50 000	2 800	Bronze	100	70	12



Sleek 18 W



Sleek 30 W

08

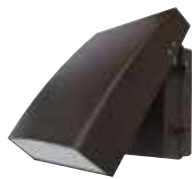
Lumen values are derived from photometric testing
 For a complete list of compatible dimmers, please visit www.standardpro.com
 CAUTION: These product use an input 100-277 VAC driver, the actual working voltage is dependent on the input voltage of the photocell that is installed on the product (where applicable)

- IP65
RATING
- NON-DIMMABLE
- WET
- TEMPERATURE
-30°C
- 5 YEARS
WARRANTY
-

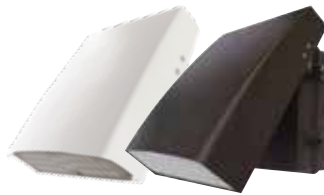
LED Slim Wall Pack

Slim wall pack luminaires offer a sleek design with adjustable tilt to ensure light is being directed where needed. They are perfect for a variety of applications such as entrances, walkways or building perimeters in residential or commercial applications.

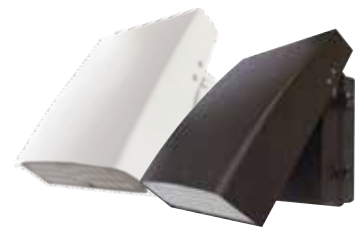
- Adjustable tilt up to 90°
- 0-10 V dimming on some models



12 W

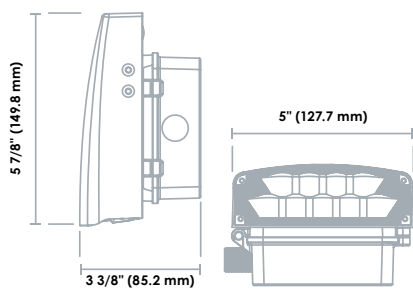


30, 40, 50 W

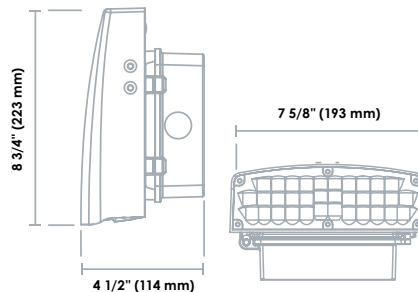


80 W

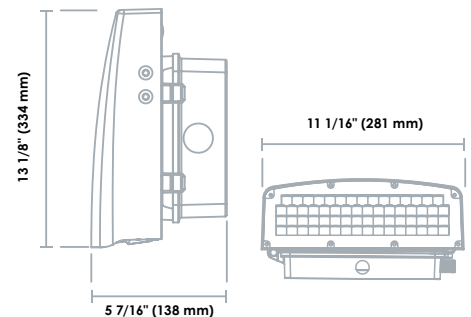
Order code	Description	Watts	Volts	Colour temp.	CRI	Life L70	Lumen output	Finish	Dimming capability	Traditionnal equivalent (W)		Case qty
		(W)	(VAC)	(K)		(hrs)	(lm)		(Yes/No)	MH	HPS	(master)
65571	LWP/SLM/S2/12W/40K/120-277/BRZ/STD	12	120-277	4 000	≥80	50 000	1 324	Bronze	No	50	-	8
65572	LWP/SLM/S2/30W/40K/120-277/BRZ/STD	30	120-277	4 000	≥80	50 000	3 337	Bronze	No	100	100	4
65573	LWP/SLM/S2/30W/40K/120-277/WH/STD	30	120-277	4 000	≥80	50 000	3 337	White	No	100	100	4
65578	LWP/SLM/S2/40W/40K/347/BRZ/STD	40	347-480	4 000	≥80	50 000	4 204	Bronze	Yes	150	100	4
65574	LWP/SLM/S2/50W/40K/120-277/BRZ/STD	50	120-277	4 000	≥80	50 000	5 349	Bronze	No	175	150	4
65575	LWP/SLM/S2/50W/40K/120-277/WH/STD	50	120-277	4 000	≥80	50 000	5 349	White	No	175	150	4
65576	LWP/SLM/S2/80W/40K/120-277/BRZ/STD	80	120-277	4 000	≥80	50 000	9 328	Bronze	Yes	250	200	2
65577	LWP/SLM/S2/80W/40K/120-277/WH/STD	80	120-277	4 000	≥80	50 000	9 328	White	Yes	250	200	2



12 W



30, 40, 50 W



80 W

Lumen values are derived from photometric testing. For a complete list of compatible dimmers and DLC qualified products, please visit www.standardpro.com



ADJUSTABLE WALL PACK



IP65 RATING



WET



TEMPERATURE



5 YEARS WARRANTY





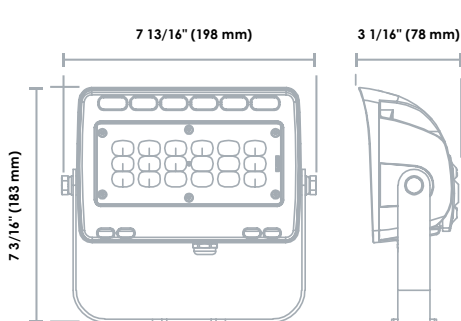
LED Flood

Flood luminaires are perfect for various applications such as wall washing, lighting pathways, landscape or signage lighting. They are offered in multiple wattages to fit both residential and commercial uses, and have a wide flood distribution for a large and uniform light pattern.

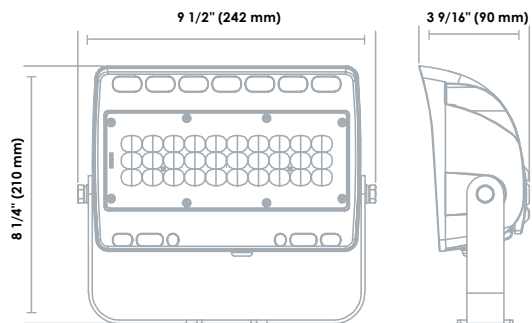


Yoke 30, 50 W

Order code	Description	Watts	Volts	Colour temp.	CRI	Life L70	Lumen output	Finish	NEMA type	Traditional equivalent (W)		Case qty (master)
		(W)	(VAC)	(K)		(hrs)	(lm)			MH	HPS	
65591	LFL/S2/30W/40K/YK/120-277/BRZ/STD	30	120-277	4 000	≥80	50 000	3 400	Bronze	7H x 7V	100	70	6
65593	LFL/S2/50W/40K/YK/120-277/BRZ/STD	50	120-277	4 000	≥80	50 000	6 000	Bronze	7H x 7V	175	150	6



Yoke 30 W



Yoke 50 W



Knuckle 10 W

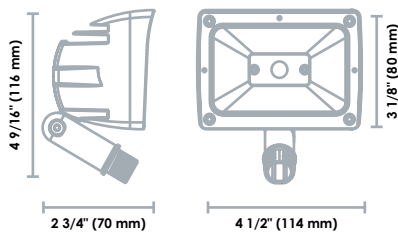


Knuckle 12 W

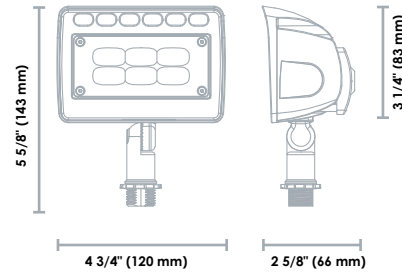


Knuckle 30, 50 W

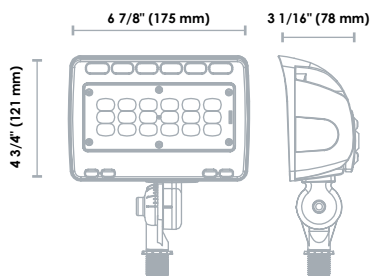
Order code	Description	Watts	Volts	Colour temp.	CRI	Life L70	Lumen output	Finish	NEMA type	Traditionnal equivalent (W)		Case qty
		(W)	(VAC)	(K)		(hrs)	(lm)			MH	HPS	(master)
63323	LED/FL/10W/30K/KN/120-277V/BRZ/STD	10	120-277	3 000	≥70	50 000	900	Bronze	-	50	35	8
64217	LED/FL/10W/30K/KN/120-277V/WH/STD	10	120-277	3 000	≥70	50 000	900	White	-	50	35	8
64218	LED/FL/10W/30K/KN/120-277V/BLK/STD	10	120-277	3 000	≥70	50 000	900	Black	-	50	35	8
64219	LED/FL/10W/40K/KN/120-277V/WH/STD	10	120-277	4 000	≥70	50 000	900	White	-	50	35	8
65586	LFL/S2/12W/40K/KN/120-277/BRZ/STD	12	120-277	4 000	≥80	50 000	1 400	Bronze	7H x 6V	50	35	12
65588	LFL/S2/12W/40K/KN/120-277/BLK/STD	12	120-277	4 000	≥80	50 000	1 400	Black	7H x 6V	50	35	12
65590	LFL/S2/30W/30K/KN/120-277/BRZ/STD	30	120-277	3 000	≥80	50 000	3 200	Bronze	7H x 7V	100	70	6
65589	LFL/S2/30W/40K/KN/120-277/BRZ/STD	30	120-277	4 000	≥80	50 000	3 400	Bronze	7H x 7V	100	70	6
65592	LFL/S2/50W/40K/KN/120-277/BRZ/STD	50	120-277	4 000	≥80	50 000	6 000	Bronze	7H x 7V	175	150	6



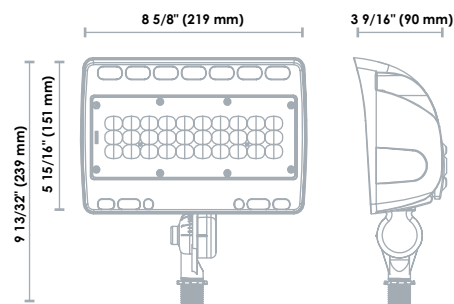
Knuckle 10 W



Knuckle 12 W



Knuckle 30 W



Knuckle 50 W

Accessories

Order code	Description	Type	Finish	Compatible with
64150 ¹	KN/ACC/WPCOVER/BRZ/STD	Weather proof cover plate	Bronze	63323, 65586, 65589, 65590, 65592
64208 ¹	KN/ACC/WPCOVER/WH/STD	Weather proof cover plate	White	64217, 64219
64209 ¹	KN/ACC/WPCOVER/BLK/STD	Weather proof cover plate	Black	64218, 65588



Lumen values are derived from photometric testing
For a complete list of DLC qualified products, please visit www.standardpro.com
¹ 2 screws (10/24") and foam plate included with weather proof cover plate

LED Large Flood and Area



Slip Fitter
100, 150 W



Slip Fitter
220 W



Slip Fitter
380 W



Straight Arm
100, 150 W



Straight Arm
220 W



Yoke 100, 150 W



Yoke 220 W



Yoke 380 W

Order code	Description	Watts	Volts	Colour temp.	CRI	Life L70	Lumen output	Finish	NEMA type	Distribution type	Traditionnal equivalent (W)		Case qty (master)
		(W)	(VAC)	(K)		(hrs)	(lm)				MH	HPS	

Slip Fitter

65594 ¹	LFL/L/S2/100W/40K/III/SF/120-277/BRZ/STD	100	120-277	4 000	≥80	50 000	12 468	Bronze	7H x 6V	III	250	200	1
65596 ¹	LFL/L/S2/150W/40K/III/SF/120-277/BRZ/STD	150	120-277	4 000	≥80	50 000	18 852	Bronze	7H x 6V	III	400	250	1
65601 ¹	LFL/L/S2/150W/40K/III/SF/347/BRZ/STD	150	277-480	4 000	≥80	50 000	18 383	Bronze	7H x 6V	III	400	250	1
65597 ¹	LFL/L/S2/220W/40K/III/SF/120-277/BRZ/STD	220	120-277	4 000	≥80	50 000	28 362	Bronze	7H x 6V	III	400	400	1
65602 ¹	LFL/L/S2/220W/40K/III/SF/347/BRZ/STD	220	277-480	4 000	≥80	50 000	27 252	Bronze	7H x 6V	III	400	400	1
66037 ¹	LFL/XL/380W/40K/II/SF/347/BRZ/STD	380	277-480	4 000	≥80	50 000	43 365	Bronze	7H x 7V	II	1 000	1 000	1

Straight Arm

66060	LFL/L/S2/100W/40K/III/MA/120-277/BRZ/STD	100	120-277	4 000	≥80	50 000	12 468	Bronze	7H x 6V	III	250	200	1
66066	LFL/L/S2/150W/40K/III/MA/120-277/BRZ/STD	150	120-277	4 000	≥80	50 000	18 852	Bronze	7H x 6V	III	400	250	1
66072	LFL/L/S2/220W/40K/III/MA/120-277/BRZ/STD	220	120-277	4 000	≥80	50 000	28 362	Bronze	7H x 6V	III	400	400	1

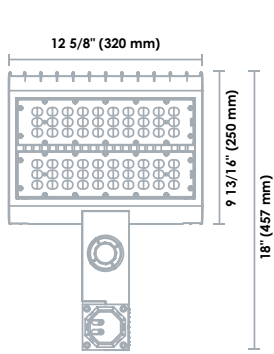
Yoke

66059	LFL/L/S2/100W/40K/II/YK/120-277/BRZ/STD	100	120-277	4 000	≥80	50 000	12 105	Bronze	7H x 6V	II	250	200	1
66065	LFL/L/S2/150W/40K/II/YK/120-277/BRZ/STD	150	120-277	4 000	≥80	50 000	18 486	Bronze	7H x 6V	II	400	250	1
66068	LFL/L/S2/150W/40K/III/YK/347/BRZ/STD	150	277-480	4 000	≥80	50 000	17 972	Bronze	7H x 6V	II	400	250	1
66071	LFL/L/S2/220W/40K/II/YK/120-277/BRZ/STD	220	120-277	4 000	≥80	50 000	26 219	Bronze	7H x 6V	II	400	400	1
66078	LFL/L/S2/220W/40K/III/YK/347/BRZ/STD	220	277-480	4 000	≥80	50 000	27 582	Bronze	7H x 6V	II	400	400	1
66036	LFL/XL/380W/40K/II/YK/347/BRZ/STD	380	277-480	4 000	≥80	50 000	43 365	Bronze	7H x 7V	II	1 000	1 000	1

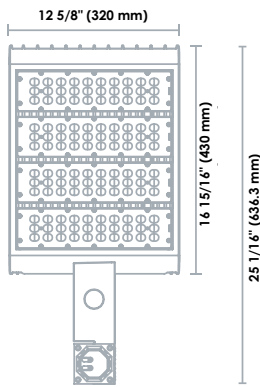


Lumen values are derived from photometric testing
For a complete list of compatible dimmers and DLC qualified products,
please visit www.standardpro.com
¹ Use a post with a diameter of 2 3/8"

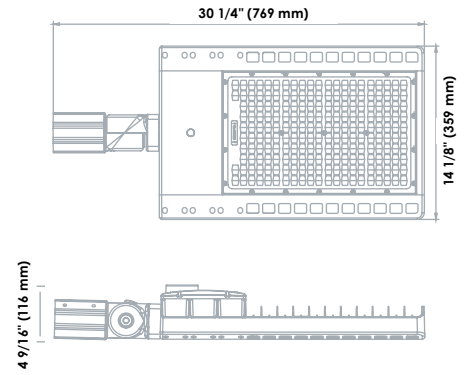
Dimensions



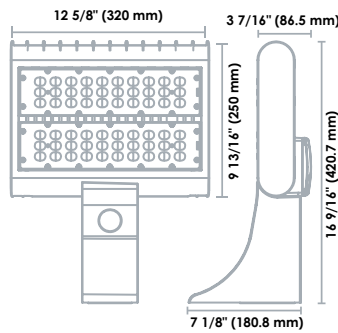
Slip Fitter 100, 150 W



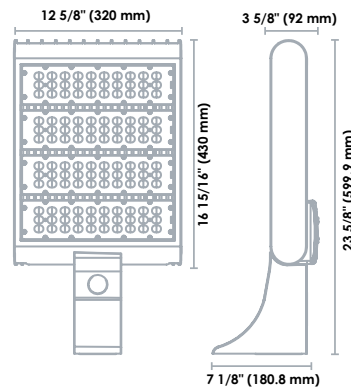
Slip Fitter 220 W



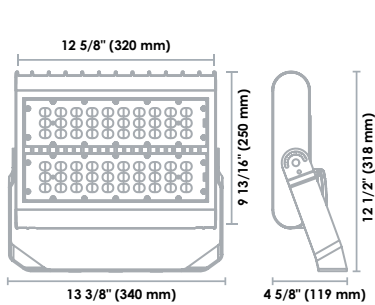
Slip Fitter 380 W



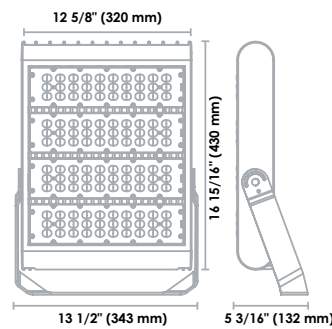
Straight Arm 100, 150 W



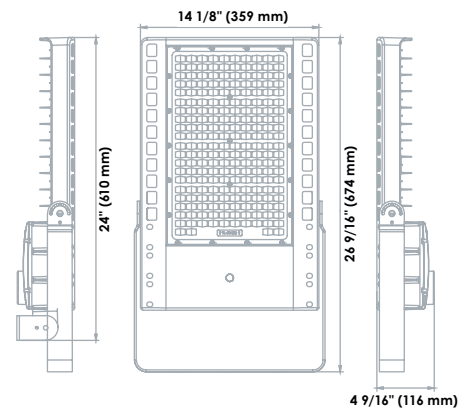
Straight Arm 220 W



Yoke 100, 150 W



Yoke 220 W



Yoke 380 W

Accessory

Order code	Description	Type	Finish	Compatible with
66155	LFL/L/S2/ACC/SF/SQR POLE MOUNT/STD	Slip fitter to square pole mount	Bronze	65594, 65596, 65601, 65597, 65602, 66037
66702	LFL/L/S2/ACC/MA/RND POLE MOUNT/STD	Straight arm to round pole mount 4", 5" & 6"	Bronze	66060, 66066, 66072

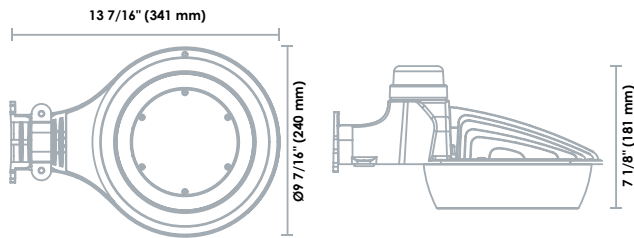




LED Yard Light



Integrated Dusk to Dawn photocell to maximize energy efficiency



Order code	Description	Watts	Volts	Colour temp.	CRI	Life L70	Lumen output	Finish	Distribution type	Traditional equivalent (W)		Case qty (master)
		(W)	(VAC)	(K)	≥80	(hrs)	(lm)			MH	HPS	
65569	LYL/S2/50W/40K/120-277/SLV/STD	50	120-277	4 000	≥80	50 000	5 500	Silver	V	150	100	2

Included in the box

- Extension arm
- Mounting bracket
- Mounting hardware for wall and arm mounting



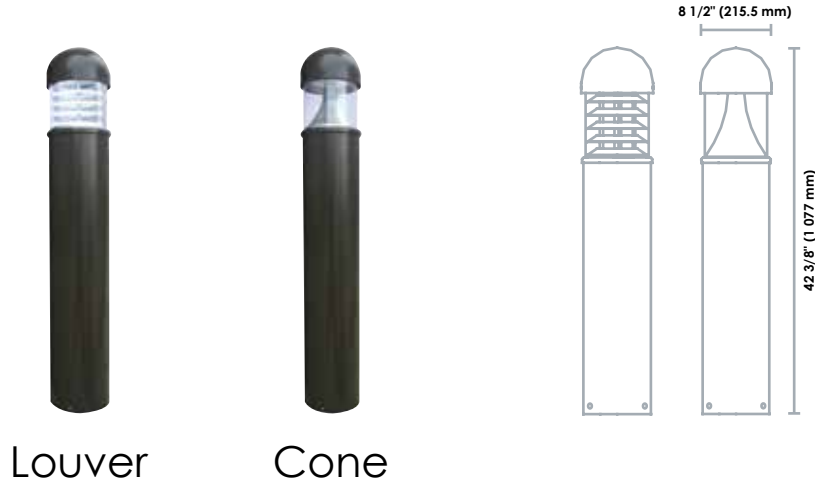
Lumen values are derived from photometric testing
 For a complete list of DLC qualified products, please visit www.standardpro.com
 CAUTION: This product uses an input 100-277 VAC driver, the actual working voltage is dependent on the input voltage of the photocell that is installed on the product (where applicable)



LED Bollard

LED outdoor bollards are perfect for lighting pathways and entryways. They will fit seamlessly into the landscape and add a decorative touch to your building. They will also provide adequate lighting for increased safety on your property.

- Offered in two diffuser styles
- Cone allows for a larger lumen output
- Louver replicates the traditional look



Order code	Description	Watts (W)	Volts (VAC)	Colour temp. (K)	CRI	Life L70 (hrs)	Lumen output (lm)	Finish	Distribution type	Traditionnal equivalent (W) MH	Case qty (master)
Louver											
65530	LBOL8/LOUV/25W/40K/120-277/RND/BRZ/STD	25	120-277	4 000	≥70	50 000	1 325	Bronze	V	50/70	1
Cone											
65531	LBOL8/CONE/25W/40K/120-277/RND/BRZ/STD	25	120-277	4 000	≥70	50 000	1 925	Bronze	V	50/70	1



Lumen values are derived from photometric testing

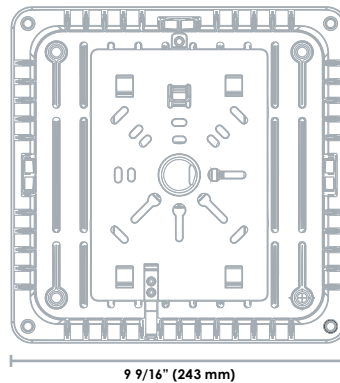
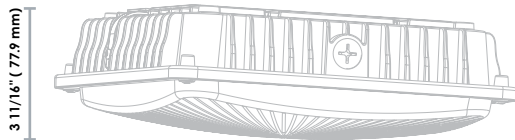
LED Canopy

With its superior rugged construction and low profile design, the LKAN series of luminaires is the perfect solution for parking garages and canopy applications. Wet location certified with an IP65 rating, this luminaire is dust and moisture proof, ideal for installation in areas susceptible to dirt and dust.



Mounting plate attached with a clip in order to free up your hands for wiring!

Order code	Description	Watts (W)	Volts (V)	Colour temp. (K)	Lumen output (lm)	CRI	Life L70 ¹ (hrs)	Distribution type	Case qty (master)
64841	LKAN/45W/40K/120-277V/BRZ/CL/STD	45	120-277	4 000	4 130	70	50 000	V	6
64842	LKAN/45W/40K/347V/BRZ/CL/STD	45	347	4 000	4 101	70	50 000	V	6
64843	LKAN/65W/40K/120-277V/BRZ/CL/STD	65	120-277	4 000	6 458	70	50 000	V	6
64844	LKAN/65W/40K/347V/BRZ/CL/STD	65	347	4 000	6 532	70	50 000	V	6



9 9/16" (243 mm)

Order code	Description	Replacement
66237	LKAN/ACC/LENS/CL/STD	64841, 64842, 64843, 64844



08



DIMMABLE



RATING



WET



TEMPERATURE



WARRANTY



Lumen values are derived from photometric testing. For a complete list of compatible dimmers and DLC qualified products, please visit www.standardpro.com.
¹Estimated life hours

LED Security Light

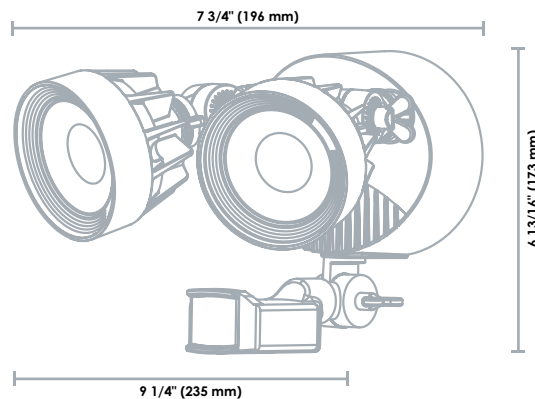
LED security lights are perfect for applications such as yards, walkways, driveways, patios, parking lots and loading areas. They can easily replace traditional luminaires while offering superior performance and savings on energy consumption.

The security lights are equipped with a motion sensor allowing you to set the lights to turn ON when motion is detected during daytime or nighttime. This ensures that the area is well lit and provides added security at night.

- 180° detection motion sensor
- Integrated Dusk to Dawn photocell
- Adjustable heads to direct the light where needed



Order code	Description	Watts (W)	Volts (VAC)	Colour temp. (K)	CRI	Life L70 (hrs)	Lumen output (lm)	Finish	Beam angle (°)	Traditional equivalent (W) MH	Case qty (master)
64600	LED/SL2H/24W/30K/120-277V/MS/BRZ/STD	24	120-277	3 000	≥80	50 000	1 980	Bronze	60	50/70	4
64601	LED/SL2H/24W/30K/120-277V/MS/WH/STD	24	120-277	3 000	≥80	50 000	1 980	White	60	50/70	4
64602 ¹	LED/SL2H/24W/40K/120-277V/MS/BRZ/STD	24	120-277	4 000	≥80	50 000	2 058	Bronze	60	50/70	4
64603 ¹	LED/SL2H/24W/40K/120-277V/MS/WH/STD	24	120-277	4 000	≥80	50 000	2 058	White	60	50/70	4



Lumen values are derived from photometric testing
 For a complete list of ENERGY STAR qualified products, please visit www.standardpro.com
 CAUTION: These products use an input 100-277 VAC driver, the actual working voltage is dependent on the input voltage of the photocell that is installed on the product (where applicable)

