

Features

Hanger:

- Minimum roof decking sheet thickness of 24 gauge
- Maximum roof decking bottom web width of 2"
- 1/4" or 3/8" square section nut or 3/8" clearance hole

Punch:

- Variable depth gauge of 0.47" to 3.15"
- Hardened and tempered hole-punch with press-fit ejector springs
- For corrugated metal sheeting up to 18 gauge wall thickness



CADDY® TDH hangers from ERICO® are a quick and easy way to attach fasteners to metal decking. Just use the TDHP2 Decking Hanger Punch to put holes in the decking, line up the hanger and slide the retaining bar through the holes. It's that simple. The hangers are ideal for suspending lights and hanging cable tray, dropped ceilings and strut trapezes from overhead metal decking. They are constructed from spring steel, which is durable, lightweight and has high gripping power. As shown on the following page, TDH Decking Hangers are fully rated to hang loads from roof decking, unlike screws, which are not load rated, evaluated, or approved to support vertical loads from roof decking.

The TDHP2 Decking Hanger Punch has been redesigned to include more features. The improved punch can be adjusted from 0.47" to 3.15" according to individual requirements. Press-fit ejector springs allow for easier removal of the one-piece hole punches after the punching operation is completed. The hardened and tempered punch is easy to operate due to the smooth-running, patented transmission mechanism.



Installation is Easy



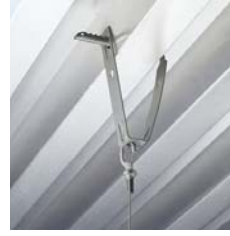
Step 1 – Punch holes in the decking



Step 2 – Line up the hanger



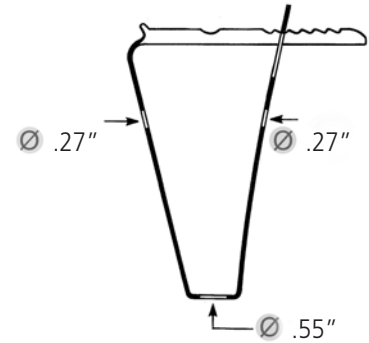
Step 3 – Slide the retaining bar through the holes



Step 4 – Hang the installation

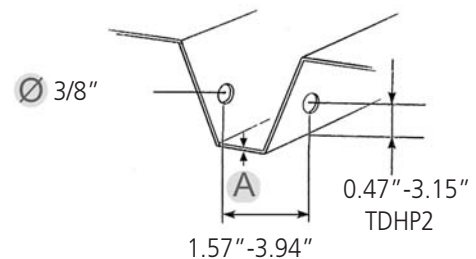


Part Number	Description	Qty. Per Box
TDH	3/8" Plain Hole	50
TDHT4	1/4-20 Nut	50
TDHT6	3/8-16 Nut	50
TDHM6	6 mm Nut	50
TDHM8	8 mm Nut	50
TDHM10	10 mm Nut	50
TDHP2	Variable Deck Hanger Punch	1
TDHP2PR10	Replacement Punch (requires 2 per punch)	2



Load Rating

"A" (inch)	Gauge	Lbs.
0.025 – 0.0275	24	130
0.0276 – 0.0315	23	150
0.0315 – 0.0394	22	180
0.0394	19	200
0.0516	18	240



Check with deck manufacturer for recommended load capacity

WARNING

ERICO products shall be installed and used only as indicated in ERICO's product instruction sheets and training materials. Instruction sheets are available at www.erico.com and from your ERICO customer service representative. Improper installation, misuse, misapplication or other failure to completely follow ERICO's instructions and warnings may cause product malfunction, property damage, serious bodily injury and death.

Copyright ©2006 ERICO International Corporation. All rights reserved. CADDY, CADWELD, CRITEC, ERICO, ERIFLEX, ERITECH, and LENTON are registered trademarks of ERICO International Corporation.