

FREE-STAND SINGLE AND DUAL ACCESS WITH 3-POINT LATCHES, TYPE 4X



INDUSTRY STANDARDS

UL 508A Listed; Type 3R, 4, 4X, 12; File No. E61997
 cUL Listed per CSA C22.2 No 94; Type 3R, 4, 4X, 12; File No. E61997

NEMA/EEMAC Type 3, 3R, 4, 4X, 12, 13
 E.I.A. RS-310-D
 IEC 60529, IP66
 Meets NEMA Type 3RX requirements

Applicable industry standards for enclosures with Seismic Accessories:
 NEBS- Telcordia GR-63-CORE Zone 4, tested with 1000 lbs. evenly distributed
 OSHPD Pre-Approval OPM-0247-13

APPLICATION

Designed to house systems incorporating large components or complex mounting configurations. Three-point latching and sealing provide industry-leading protection from dust, dirt, oil and water. These enclosures are used in machine tool applications for housing motor starters, drives, contactors and PLCs, as well as a wide variety of other electrical and electronic equipment. The addition of 19-in. rack-mounting accessories makes these enclosures ideal for providing rugged protection for sensitive rack-mounted components in harsh industrial environments. These enclosures are used extensively in automotive, pulp and paper, wood products, textile and similar industries.

Four styles are available to provide maximum flexibility:

1. One-Door Single-Access Enclosures (single door on front)
2. One-Door Dual-Access Enclosures (single door on front and rear)
3. Two-Door Single-Access Enclosures (doors close on a removeable centerpost)
4. Two-Door Dual-Access Enclosures (doors close on a removeable centerpost on front and rear)

SPECIFICATIONS

- 12 gauge Type 304 stainless steel
- Seams continuously welded and ground smooth; no holes or knockouts
- Two-door enclosures provided with a removeable centerpost for easy panel installation
- Heavy-duty lifting eyes are Type 316L stainless steel
- Heavy-duty three-point latching mechanism operated by Type 316L stainless steel POWERGLIDE padlocking handle
- Seamless foam-in-place gasket assures a water-tight and dust-tight seal
- Body flange trough collar excludes liquids and contaminants
- Heavy-gauge continuous hinges support each door
- High-impact thermoplastic data pocket provided with each enclosure
- Mounting channels welded horizontally to interior body sides at top, bottom and center
- Optional panels and rack mounting angles can be mounted anywhere along channels
- Bonding provision on door; grounding stud on body
- Accessory mounting channel provided in enclosure top

FINISH

Enclosures are unpainted. Cover, sides, top and bottom have smooth #4 brushed finish. Optional steel panels, swing-out panels, side-mounted panels, rack-mounting frames, heavy-duty panel supports and center panel supports are white. Optional full, half and side-mounted conductive panels are available.

ACCESSORIES

Caster Kit
 Clamping Nut Package
 Floor Stand Kit, Stainless Steel
 Panel Support Kit
 Panels for Type 3R, 4, 4X, 12 and 13 Enclosures
 Rack Mounting Angles, L-Style (Type RP)
 Seismic Mounting Plate Kits
 Seismic Panel Mounting Kits

MODIFICATION AND CUSTOMIZATION

Hoffman excels at modifying and customizing products to your specifications. Contact your local Hoffman sales office or distributor for complete information.

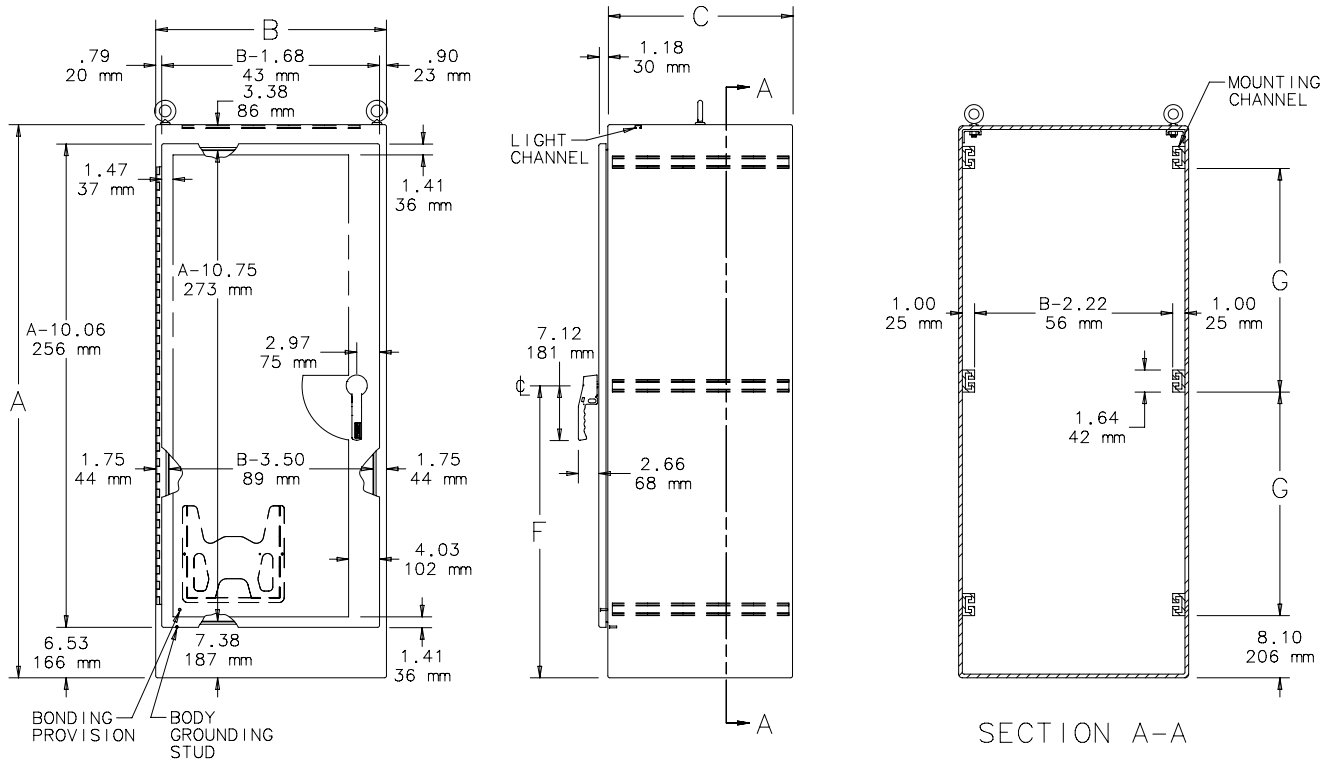
BULLETIN: A30S4

Standard Product **One-Door Single-Access**

Catalog Number	AxBxC in./mm	F in./mm	G in./mm
A602418SSFSN4	60.06 x 24.06 x 18.06 1526 x 611 x 459	32.03 814	23.12 587
A722418SSFSN4	72.06 x 24.06 x 18.06 1830 x 611 x 459	38.03 966	29.12 740
A723018SSFSN4	72.06 x 30.06 x 18.06 1830 x 764 x 459	38.03 966	29.12 740
A723618SSFSN4	72.06 x 36.06 x 18.06 1830 x 916 x 459	38.03 966	29.12 740
A902420SSFSN4	90.06 x 24.06 x 20.06 2288 x 611 x 510	47.03 1195	38.12 968
A903620SSFSN4	90.06 x 36.06 x 20.06 2288 x 916 x 510	47.03 1195	38.12 968
A603624SSFSN4	60.06 x 36.06 x 24.06 1526 x 916 x 611	32.03 814	23.12 587
A722424SSFSN4	72.06 x 24.06 x 24.06 1830 x 611 x 611	38.03 966	29.12 740
A723024SSFSN4	72.06 x 30.06 x 24.06 1830 x 764 x 611	38.03 966	29.12 740
A723624SSFSN4	72.06 x 36.06 x 24.06 1830 x 916 x 611	38.03 966	29.12 740
A903624SSFSN4	90.06 x 36.06 x 24.06 2288 x 916 x 611	47.03 1195	38.12 968
A723630SSFSN4	72.06 x 36.06 x 30.06 1830 x 916 x 764	38.03 966	29.12 740
A723636SSFSN4	72.06 x 36.06 x 36.06 1830 x 916 x 916	38.03 966	29.12 740
A903636SSFSN4	90.06 x 36.06 x 36.06 2288 x 916 x 916	47.03 1195	38.12 968

Purchase panels and accessories separately.

Seismic accessories are available for one-door enclosures.



87576784

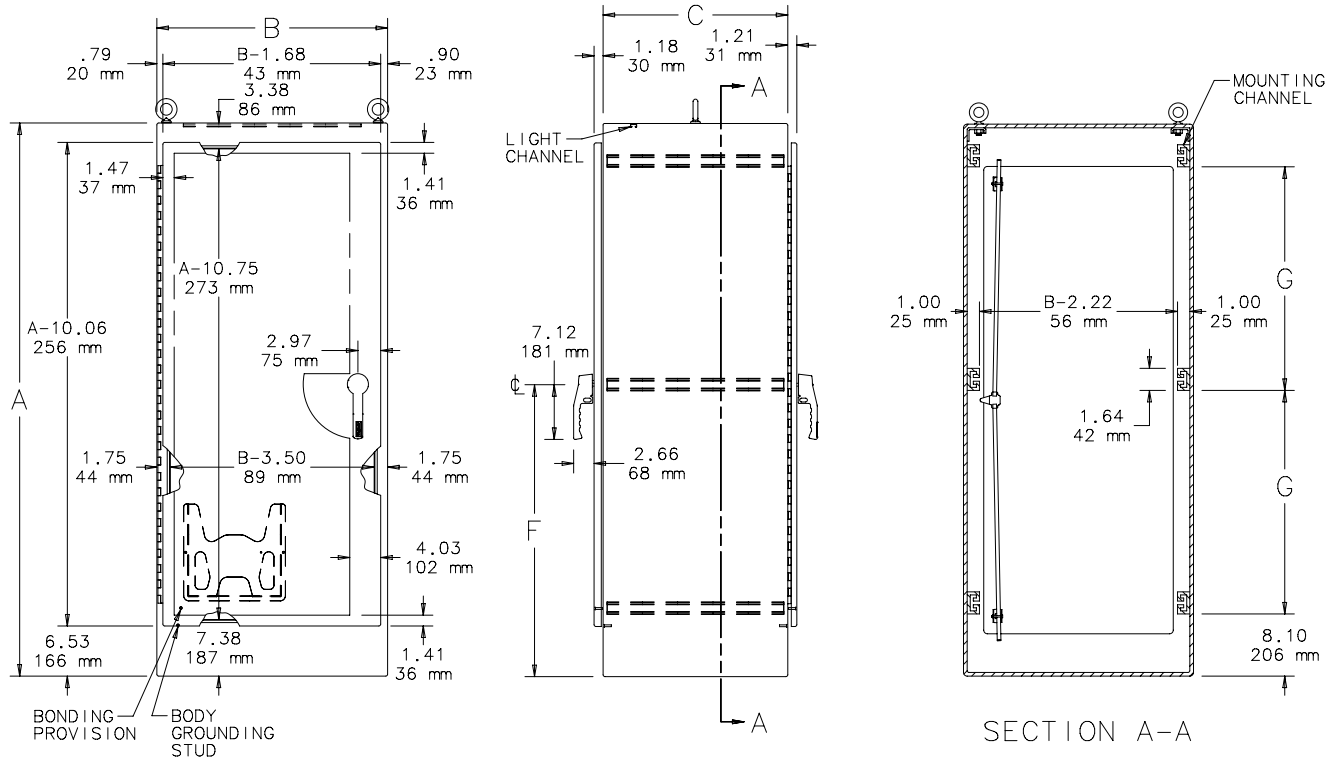
- NOTES:
1. Four lifting eyes are furnished if C=30.06 (764mm) or more.
 2. See General Accessories chapter for section views A-A and B-B showing accessories.
 3. Removable 12.00 x 12.00 (305mm x 305mm) data pocket.

Standard Product One-Door Dual-Access

Catalog Number	AxBxC in./mm	F in./mm	G in./mm
A722424SSFSDAN4	72.06 x 24.06 x 24.06 1830 x 611 x 611	38.03 966	29.12 740
A723024SSFSDAN4	72.06 x 30.06 x 24.06 1830 x 764 x 611	38.03 966	29.12 740
A723624SSFSDAN4	72.06 x 36.06 x 24.06 1830 x 916 x 611	38.03 966	29.12 740
A903624SSFSDAN4	90.06 x 36.06 x 24.06 2288 x 916 x 611	47.03 1195	38.12 968
A722430SSFSDAN4	72.06 x 24.06 x 30.06 1830 x 611 x 764	38.03 966	29.12 740
A722436SSFSDAN4	72.06 x 24.06 x 36.06 1830 x 611 x 916	38.03 966	29.12 740
A723636SSFSDAN4	72.06 x 36.06 x 36.06 1830 x 916 x 916	38.03 966	29.12 740
A903636SSFSDAN4	90.06 x 36.06 x 36.06 2288 x 916 x 916	47.03 1195	38.12 968

Purchase panels and accessories separately.

Seismic accessories are available for one-door enclosures.



87576785

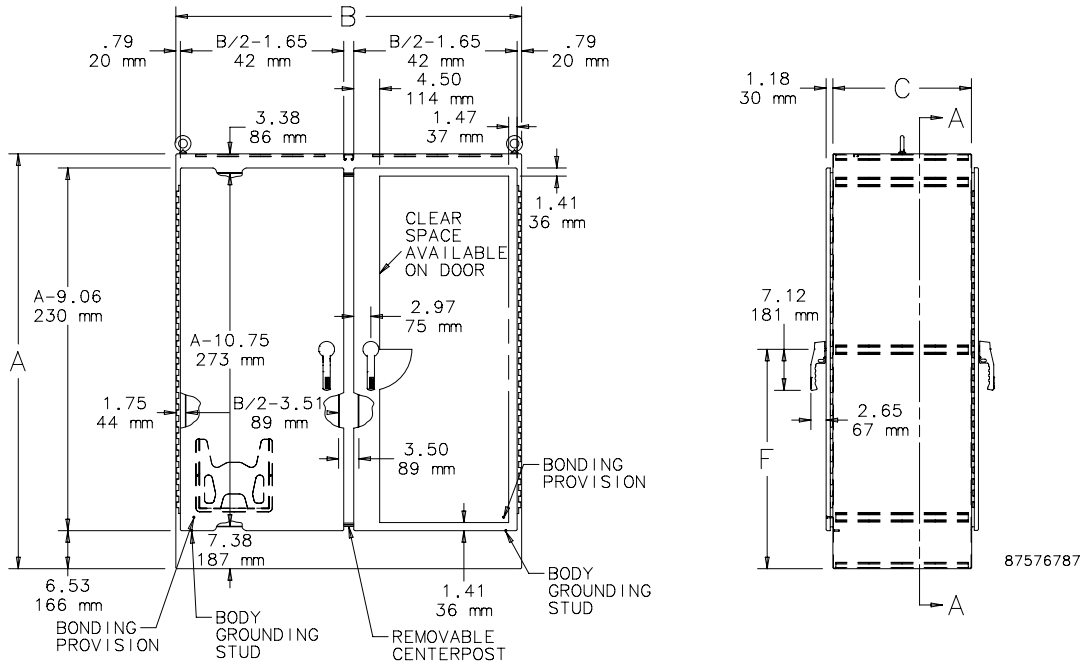
- NOTES:
1. Four lifting eyes are furnished if C=30.06 (764mm) or more.
 2. See General Accessories chapter for section views A-A and B-B showing accessories.
 3. Removable 12.00 x 12.00 (305mm x 305mm) data pocket.

Standard Product **Two-Door Dual-Access**

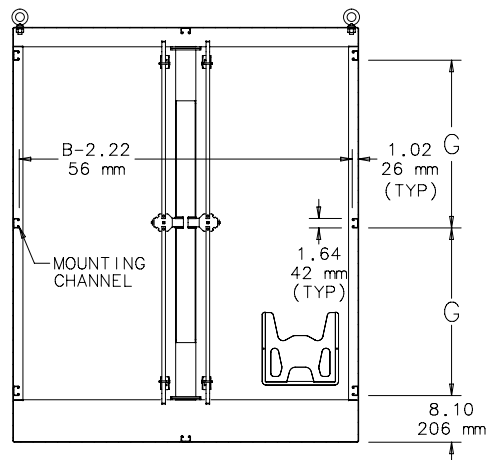
Catalog Number	AxBxC in./mm	F in./mm	G in./mm
A724824SSFSDADN4	72.06 x 48.06 x 24.06 1830 x 1221 x 611	38.03 966	29.12 740
A726024SSFSDADN4	72.06 x 60.06 x 24.06 1830 x 1526 x 611	38.03 966	29.12 740
A727224SSFSDADN4	72.06 x 72.06 x 24.06 1830 x 1830 x 611	38.03 966	29.12 740
A907224SSFSDADN4	90.06 x 72.06 x 24.06 2288 x 1830 x 611	47.03 1195	38.12 968
A726036SSFSDADN4	72.06 x 60.06 x 36.06 1830 x 1526 x 916	38.03 966	29.12 740

Purchase panels and accessories separately.

Seismic accessories are not applicable for two-door enclosures.



- NOTES:
1. Four lifting eyes are furnished if C=30.06 (764mm) or more.
 2. See General Accessories chapter for section views A-A and B-B showing accessories.
 3. Removable 12.00 x 12.00 (305mm x 305mm) data pocket.



SECTION A-A

SEISMIC ACCESSORIES



To meet GR-63-CORE Zone 4 seismic standards, Free-Stand enclosures must include the following accessories (purchased separately):

For Seismic Free-Stand with Panel

- Seismic Mounting Plate Kit
- Seismic Panel Mounting Kit
- Panel, Full-Length

For Seismic Free-Stand with Rack Angles

- Seismic Mounting Plate Kit
- Rack Mounting Angles - L-Style (Type RP), Full

SEISMIC MOUNTING PLATE KITS



Kit of six (6) stainless steel mounting plates install over the mounting holes in the base of the enclosure. The mounting plates come pre-drilled to accept 1/2-in., 5/8-in. or 3/4-in. diameter mounting hardware (not included). Plate dimensions are 3.75 x 3.75 x .25 in. (95 x 95 x 6 mm).

BULLETIN: DCY

Standard Product

Catalog Number	Description	Anchor Size
ASMP12SS	Seismic Mounting Plate, 1/2-in.	1/2 in.
ASMP58SS	Seismic Mounting Plate, 5/8-in.	5/8 in.
ASMP34SS	Seismic Mounting Plate, 3/4-in.	3/4 in.

SEISMIC PANEL MOUNTING KITS



Kit of two(2) panel supports install within the enclosure. Use mounting hardware furnished within these kits along with panel hardware to mount full panels.

BULLETIN: DCY

Standard Product

Catalog Number	Description	Fits Enclosure A in./mm
ASPANKIT60	Seismic Panel Mounting Kit, 60-in.	60 1524
ASPANKIT72	Seismic Panel Mounting Kit, 72-in.	72 1829
ASPANKIT90	Seismic Panel Mounting Kit, 90-in.	90 2286

PANELS



Full panels mount within the enclosure using seismic panel mounting kits. Panels are 12 gauge steel and are finished with white polyester power paint or a conductive, corrosion resistant coating.

BULLETIN: PNL30

Standard Product

Catalog Number	Description	Panel Size in./mm	Fits Enclosure A x B in./mm
A60P24F1	Steel	48.00 x 20.00	60.00 x 24.00
		1219 x 508	1524 x 610
A60P24F1G	Conductive	48.00 x 20.00	60.00 x 24.00
		1219 x 508	1524 x 610
A72P24F1	Steel	60.00 x 20.00	72.00 x 24.00
		1524 x 508	1829 x 610
A72P24F1G	Conductive	60.00 x 20.00	72.00 x 24.00
		1524 x 508	1829 x 610
A90P24F1	Steel	1829 x 610	90.00 x 24.00
		1981 x 508	90.00 x 24.00
A90P24F1G	Conductive	1829 x 610	90.00 x 24.00
		1981 x 508	90.00 x 24.00
A72P30F1	Steel	60.00 x 26.00	1524 x 660
		1524 x 660	1829 x 762
A72P30F1G	Conductive	60.00 x 26.00	1524 x 660
		1524 x 660	1829 x 762
A60P36F1	Steel	48.00 x 32.00	60.00 x 36.00
		48.00 x 32.00	1524 x 914
A60P36F1G	Conductive	48.00 x 32.00	60.00 x 36.00
		48.00 x 32.00	1524 x 914
A72P36F1	Steel	60.00 x 32.00	72.00 x 36.00
		1524 x 813	1829 x 914
A72P36F1G	Conductive	60.00 x 32.00	72.00 x 36.00
		1524 x 813	1829 x 914
A90P36F1	Steel	78.00 x 32.00	90.00 x 36.00
		1981 x 813	2286 x 914
A90P36F1G	Conductive	78.00 x 32.00	90.00 x 36.00
		1981 x 813	2286 x 914