

°STELPRO

COMMERCIAL & INDUSTRIAL UNIT HEATER

SHU SERIES

OXFORD™
SERIES | SÉRIE

THE POWER OF DISPERSION

°STELPRO designs heaters for all circumstances. Take the SHU, the large volume heater that is distinguished by its appealing appearance, its manufacturing and its sturdy composition. It is usually installed in large garages, but it is not uncommon for it to be seen in warehouses or any other kind of commercial construction site requiring a generous volume of heat. The SHU works with great ease and has an incredible power scale from 2 kW to 60 kW. What could be better!



INSTANT HEAT

PERMANENTLY LUBRICATED MOTOR

WIDE RANGE OF POWER: 2 KW TO 60 KW

THERMALLY PROTECTED

WALL OR CEILING INSTALLATION BRACKET INCLUDED

IDEAL FOR:

WAREHOUSE, FACTORY, INDOOR PARKING GARAGE, LARGE INDUSTRIAL AND COMMERCIAL AREAS

COLOUR

textured charcoal

FINISH

epoxy-polyester powdercoat

MANUFACTURING

- heavy-duty, 18-gauge steel cabinet
- adjustable louvers and protective screen
- thermal protection with automatic reset

MOTOR

permanently enclosed lubricated ball bearing motor for long-lasting operation

ELEMENT

nichrome element produces instant heat

CONTROL

connection of multiple units to the same thermostat is possible with a relay kit without transformer (optional) and an external transformer (not provided)

INSTALLATION

- wall or ceiling mounted with universal mounting bracket (included)
- minimum distance from adjacent walls: 6 in. (2 kW to 30 kW units), 12 in. (40 kW to 60 kW units)
- maximum mounting heights: 8 ft. (2 kW to 10 kW units), 10 ft. (15 kW to 30 kW units), 15 ft. (40 kW to 60 kW units)

ACCESSORIES

PRODUCT	DESCRIPTION	PRICE
SHUT1	built-in single pole thermostat (capillary)	58.75
SHUT2	built-in double pole thermostat (capillary)	70.25
SHUFS*	fan switch	52.50
SHUDIS*	disconnect switch [80 A]	146.00
SHUC24RX*	relay kit without transformer 24 V	90.00
SHUFS-RCV	remote control circuit for ventilation mode 240 V	52.50

* Factory installed

TECHNICAL SPECIFICATIONS

WITHOUT CONTROL		BUILT-IN THERMOSTAT		240 V CONTROL		24 V CONTROL		VOLTS	KW	CFM
CODE	PRICE	CODE	PRICE	CODE	PRICE	CODE	PRICE			
SHU0281CHAR	805.00	SHU0281TCHAR	863.00	SHU0281CCHAR	874.00	SHU0281C24CHAR	910.00	208	2	250
---	---	SHU0283CTCHAR*	933.00	SHU0283CCHAR*	874.00	SHU0283C24CHAR*	910.00	208	2	250
SHU0221CHAR	805.00	SHU0221TCHAR	863.00	SHU0221CCHAR	874.00	SHU0221C24CHAR	910.00	240	2	250
SHU0271CHAR	964.00	SHU0271TCHAR	1023.00	SHU0271CCHAR	1034.00	SHU0271C24CHAR	1069.00	277	2	250
---	---	SHU0231CTCHAR	1092.00	SHU0231CCHAR	1034.00	SHU0231C24CHAR	1069.00	347	2	250
---	---	SHU0251CTCHAR	1092.00	SHU0251CCHAR	1034.00	SHU0251C24CHAR	1069.00	480	2	250
---	---	SHU0253CTCHAR*	1092.00	SHU0253CCHAR*	1034.00	SHU0253C24CHAR*	1069.00	480	2	250
---	---	SHU0261CTCHAR	1092.00	SHU0261CCHAR	1034.00	SHU0261C24CHAR	1069.00	600	2	250
---	---	SHU0263CTCHAR*	1092.00	SHU0263CCHAR*	1034.00	SHU0263C24CHAR*	1069.00	600	2	250
SHU0381CHAR	805.00	SHU0381TCHAR	863.00	SHU0381CCHAR	874.00	SHU0381C24CHAR	910.00	208	3	250
---	---	SHU0383CTCHAR*	933.00	SHU0383CCHAR*	874.00	SHU0383C24CHAR*	910.00	208	3	250
SHU0321CHAR	805.00	SHU0321TCHAR	863.00	SHU0321CCHAR	874.00	SHU0321C24CHAR	910.00	240	3	250
SHU0371CHAR	997.00	SHU0371TCHAR	1055.00	SHU0371CCHAR	1067.00	SHU0371C24CHAR	1102.00	277	3	250
---	---	SHU0331CTCHAR	1125.00	SHU0331CCHAR	1067.00	SHU0331C24CHAR	1102.00	347	3	250
---	---	SHU0351CTCHAR	1125.00	SHU0351CCHAR	1067.00	SHU0351C24CHAR	1102.00	480	3	250
---	---	SHU0353CTCHAR*	1125.00	SHU0353CCHAR*	1067.00	SHU0353C24CHAR*	1102.00	480	3	250
---	---	SHU0361CTCHAR	1125.00	SHU0361CCHAR	1067.00	SHU0361C24CHAR	1102.00	600	3	250
---	---	SHU0363CTCHAR*	1125.00	SHU0363CCHAR*	1067.00	SHU0363C24CHAR*	1102.00	600	3	250
SHU0481CHAR	813.00	SHU0481TCHAR	871.00	SHU0481CCHAR	882.00	SHU0481C24CHAR	918.00	208	4	250
---	---	SHU0483CTCHAR*	941.00	SHU0483CCHAR*	882.00	SHU0483C24CHAR*	918.00	208	4	250
SHU0421CHAR	813.00	SHU0421TCHAR	871.00	SHU0421CCHAR	882.00	SHU0421C24CHAR	918.00	240	4	250
SHU0471CHAR	1023.00	SHU0471TCHAR	1081.00	SHU0471CCHAR	1092.00	SHU0471C24CHAR	1128.00	277	4	250
---	---	SHU0431CTCHAR	1151.00	SHU0431CCHAR	1092.00	SHU0431C24CHAR	1128.00	347	4	250
---	---	SHU0451CTCHAR	1151.00	SHU0451CCHAR	1092.00	SHU0451C24CHAR	1128.00	480	4	250
---	---	SHU0453CTCHAR*	1151.00	SHU0453CCHAR*	1092.00	SHU0453C24CHAR*	1128.00	480	4	250
---	---	SHU0461CTCHAR	1151.00	SHU0461CCHAR	1092.00	SHU0461C24CHAR	1128.00	600	4	250
---	---	SHU0463CTCHAR*	1151.00	SHU0463CCHAR*	1092.00	SHU0463C24CHAR*	1128.00	600	4	250
---	---	SHU0581TCHAR	1003.00	SHU0581CCHAR	1015.00	SHU0581C24CHAR	1049.00	208	5	450
---	---	SHU0583CTCHAR*	1073.00	SHU0583CCHAR*	1015.00	SHU0583C24CHAR*	1049.00	208	5	450
SHU0521CHAR	944.00	SHU0521TCHAR	1003.00	SHU0521CCHAR	1015.00	SHU0521C24CHAR	1049.00	240	5	450
SHU0571CHAR	1060.00	SHU0571TCHAR	1118.00	SHU0571CCHAR	1130.00	SHU0571C24CHAR	1165.00	277	5	450
---	---	SHU0531CTCHAR	1188.00	SHU0531CCHAR	1130.00	SHU0531C24CHAR	1165.00	347	5	450
---	---	SHU0551CTCHAR	1188.00	SHU0551CCHAR	1130.00	SHU0551C24CHAR	1165.00	480	5	450
---	---	SHU0553CTCHAR*	1188.00	SHU0553CCHAR*	1130.00	SHU0553C24CHAR*	1165.00	480	5	450
---	---	SHU0561CTCHAR	1188.00	SHU0561CCHAR	1130.00	SHU0561C24CHAR	1165.00	600	5	450
---	---	SHU0563CTCHAR*	1189.00	SHU0563CCHAR*	1131.00	SHU0563C24CHAR*	1166.00	600	5	450
---	---	SHU0781CTCHAR	1511.00	SHU0781CCHAR	1453.00	SHU0781C24CHAR	1488.00	208	7.5	700
---	---	SHU0783CTCHAR*	1511.00	SHU0783CCHAR*	1453.00	SHU0783C24CHAR*	1488.00	208	7.5	700
---	---	SHU0721CTCHAR	1511.00	SHU0721CCHAR	1453.00	SHU0721C24CHAR	1488.00	240	7.5	700
---	---	SHU0771CTCHAR	1697.00	SHU0771CCHAR	1638.00	SHU0771C24CHAR	1674.00	277	7.5	700
---	---	SHU0731CTCHAR	1697.00	SHU0731CCHAR	1638.00	SHU0731C24CHAR	1674.00	347	7.5	700
---	---	SHU0751CTCHAR	1697.00	SHU0751CCHAR	1638.00	SHU0751C24CHAR	1674.00	480	7.5	700
---	---	SHU0753CTCHAR*	1697.00	SHU0753CCHAR*	1638.00	SHU0753C24CHAR*	1674.00	480	7.5	700
---	---	SHU0761CTCHAR	1697.00	SHU0761CCHAR	1638.00	SHU0761C24CHAR	1674.00	600	7.5	700
---	---	SHU0763CTCHAR*	1697.00	SHU0763CCHAR*	1638.00	SHU0763C24CHAR*	1674.00	600	7.5	700
---	---	SHU1081CTCHAR	1587.00	SHU1081CCHAR	1529.00	SHU1081C24CHAR	1564.00	208	10	700
---	---	SHU1083CTCHAR*	1587.00	SHU1083CCHAR*	1529.00	SHU1083C24CHAR*	1564.00	208	10	700
---	---	SHU1021CTCHAR	1587.00	SHU1021CCHAR	1529.00	SHU1021C24CHAR	1564.00	240	10	700
---	---	SHU1071CTCHAR	1718.00	SHU1071CCHAR	1659.00	SHU1071C24CHAR	1695.00	277	10	700
---	---	SHU1031CTCHAR	1718.00	SHU1031CCHAR	1659.00	SHU1031C24CHAR	1695.00	347	10	700
---	---	SHU1051CTCHAR	1718.00	SHU1051CCHAR	1659.00	SHU1051C24CHAR	1695.00	480	10	700
---	---	SHU1053CTCHAR*	1718.00	SHU1053CCHAR*	1659.00	SHU1053C24CHAR*	1695.00	480	10	700
---	---	SHU1061CTCHAR	1718.00	SHU1061CCHAR	1659.00	SHU1061C24CHAR	1695.00	600	10	700
---	---	SHU1063CTCHAR*	1718.00	SHU1063CCHAR*	1659.00	SHU1063C24CHAR*	1695.00	600	10	700

* Three-phase unit that can be field-converted to a single phase unit
 * Three-phase unit
 --- not available

TECHNICAL SPECIFICATIONS

BUILT-IN THERMOSTAT

240 V CONTROL

24 V CONTROL

CODE	PRICE	CODE	PRICE	CODE	PRICE	VOLTS	KW	CFM
SHU1581CTCHAR	2116.00	SHU1581CCHAR	2058.00	SHU1581C24CHAR	2128.00	208	15	1300
SHU1583CTCHAR*	2116.00	SHU1583CCHAR*	2058.00	SHU1583C24CHAR*	2128.00	208	15	1300
SHU1521CTCHAR	2116.00	SHU1521CCHAR	2058.00	SHU1521C24CHAR	2128.00	240	15	1300
SHU1571CTCHAR	2116.00	SHU1571CCHAR	2058.00	SHU1571C24CHAR	2128.00	277	15	1300
SHU1531CTCHAR	2116.00	SHU1531CCHAR	2058.00	SHU1531C24CHAR	2128.00	347	15	1300
SHU1551CTCHAR	2116.00	SHU1551CCHAR	2058.00	SHU1551C24CHAR	2128.00	480	15	1300
SHU1553CTCHAR*	2116.00	SHU1553CCHAR*	2058.00	SHU1553C24CHAR*	2128.00	480	15	1300
SHU1561CTCHAR	2116.00	SHU1561CCHAR	2058.00	SHU1561C24CHAR	2128.00	600	15	1300
SHU1563CTCHAR*	2116.00	SHU1563CCHAR*	2058.00	SHU1563C24CHAR*	2128.00	600	15	1300
SHU2081CTCHAR	2322.00	SHU2081CCHAR	2264.00	SHU2081C24CHAR	2334.00	208	20	1300
SHU2083CTCHAR*	2322.00	SHU2083CCHAR*	2264.00	SHU2083C24CHAR*	2334.00	208	20	1300
SHU2021CTCHAR	2322.00	SHU2021CCHAR	2264.00	SHU2021C24CHAR	2334.00	240	20	1300
SHU2071CTCHAR	2322.00	SHU2071CCHAR	2264.00	SHU2071C24CHAR	2334.00	277	20	1300
SHU2031CTCHAR	2322.00	SHU2031CCHAR	2264.00	SHU2031C24CHAR	2334.00	347	20	1300
SHU2051CTCHAR	2322.00	SHU2051CCHAR	2264.00	SHU2051C24CHAR	2334.00	480	20	1300
SHU2053CTCHAR*	2322.00	SHU2053CCHAR*	2264.00	SHU2053C24CHAR*	2334.00	480	20	1300
SHU2063CTCHAR*	2322.00	SHU2063CCHAR*	2264.00	SHU2063C24CHAR*	2334.00	600	20	1300
SHU2583CTCHAR*	2675.00	SHU2583CCHAR*	2617.00	SHU2583C24CHAR*	2687.00	208	25	1300
SHU2553CTCHAR*	2675.00	SHU2553CCHAR*	2617.00	SHU2553C24CHAR*	2687.00	480	25	1300
SHU2563CTCHAR*	2675.00	SHU2563CCHAR*	2617.00	SHU2563C24CHAR*	2687.00	600	25	1300
SHU3083CTCHAR*	2724.00	SHU3083CCHAR*	2665.00	SHU3083C24CHAR*	2735.00	208	30	1400
SHU3053CTCHAR*	2724.00	SHU3053CCHAR*	2665.00	SHU3053C24CHAR*	2735.00	480	30	1400
SHU3063CTCHAR*	2724.00	SHU3063CCHAR*	2665.00	SHU3063C24CHAR*	2735.00	600	30	1400
SHU4053CTCHAR*	3573.00	SHU4053CCHAR*	3515.00	SHU4053C24CHAR*	3632.00	480	40	2100
SHU4063CTCHAR*	3573.00	SHU4063CCHAR*	3515.00	SHU4063C24CHAR*	3632.00	600	40	2100
SHU5053CTCHAR*	3804.00	SHU5053CCHAR*	3745.00	SHU5053C24CHAR*	3862.00	480	50	2100
SHU5063CTCHAR*	3804.00	SHU5063CCHAR*	3745.00	SHU5063C24CHAR*	3862.00	600	50	2100
SHU6053CTCHAR*	4178.00	SHU6053CCHAR*	4119.00	SHU6053C24CHAR*	4236.00	480	60	2100
SHU6063CTCHAR*	4178.00	SHU6063CCHAR*	4119.00	SHU6063C24CHAR*	4236.00	600	60	2100

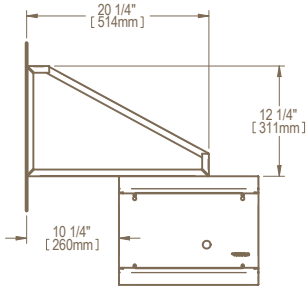
* Three-phase unit that can be field-converted to a single phase unit
 * Three-phase unit
 --- not available

THROW DISTANCE AND HEAT RISE

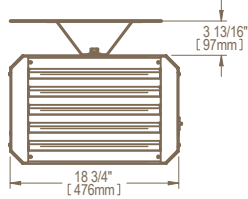
UNITS		THROW DISTANCE		HEAT RISE	
KW	M	FT.	°C	°F	
2	8.5	28	17	31	
3	8.5	28	35	62	
4	8.5	28	52	93	
5	9.4	31	55	99	
7.5	9.4	31	54	97	
10	9.4	31	85	153	
15	10.7	35	52	93	
20	11.3	37	89	160	
25	10.2	33'6"	133	240	
30	10.7	35	135	243	
40	10.7	35	132	237	
50	10.7	35	141	254	
60	10.7	35	156	280	

2 KW TO 10 KW UNITS

weight: approx. 40 lb (18 kg)



LEFT SIDE



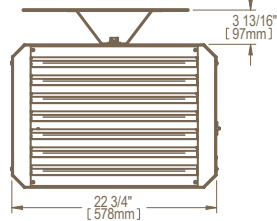
FRONT



RIGHT SIDE



LEFT SIDE



FRONT



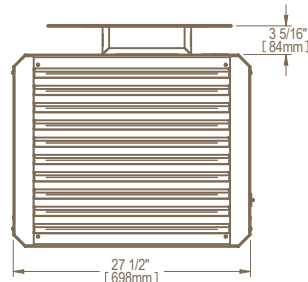
RIGHT SIDE

15 KW TO 30 KW UNITS

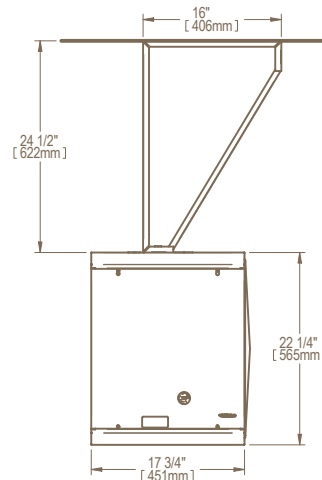
weight: approx. 67 lb (30 kg)



LEFT SIDE



FRONT



RIGHT SIDE

40 KW TO 60 KW UNITS

weight: approx. 100 lb (45 kg)