

## CL Series

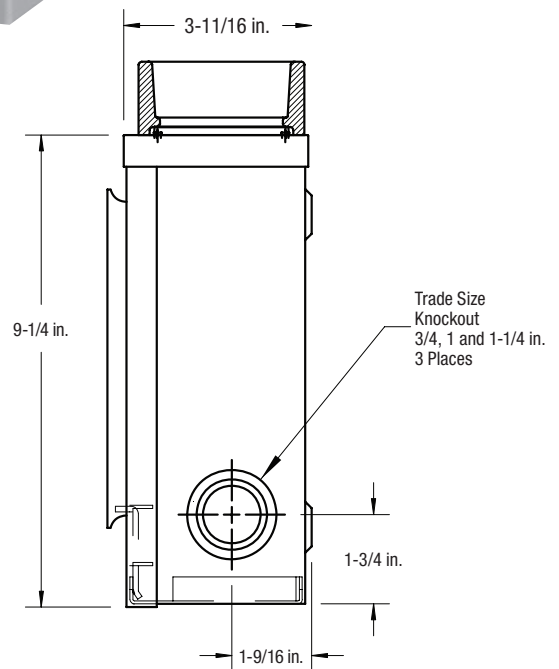
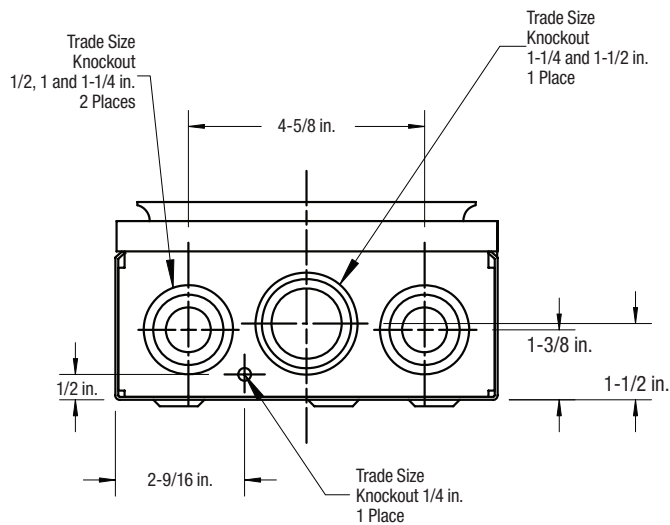
### 20 A 600 V; Transformer Rated


#### Product Specifications

- Conductor range: 14-10 AWG
- Aluminum tunnel type connectors for both load and line sides
- Circuit closing feature to short out current transformer upon removal of meter
- For overhead hub opening only
- Supplied with screw type ring
- Weatherproof Type 3R enclosure
- Primarily used in: Sask., Man., Ont., N.B., N.S., P.E.I., Nfld.



(CL4-V)



 Approved for copper only

Cat. No.	Description	Dimensions (in.)			Weight Each	
		H	W	D	lb.	kg
<b>4 JAW</b>						
<b>CL4-V</b>	Circuit closing on left side	9-1/4	7-5/8	3-11/16	7	3.1
<b>CL4-TV</b>	Circuit closing on left side, no hub opening					
<b>5 JAW</b>						
<b>CL5-V</b>	Circuit closing on left side (Lower right hand jaw is a support only)	9-1/4	7-5/8	3-11/16	7	3.1
<b>6 JAW</b>						
<b>CL6-LRV</b>	Circuit closing both left and right sides	9-1/4	7-5/8	3-11/16	7	3.1

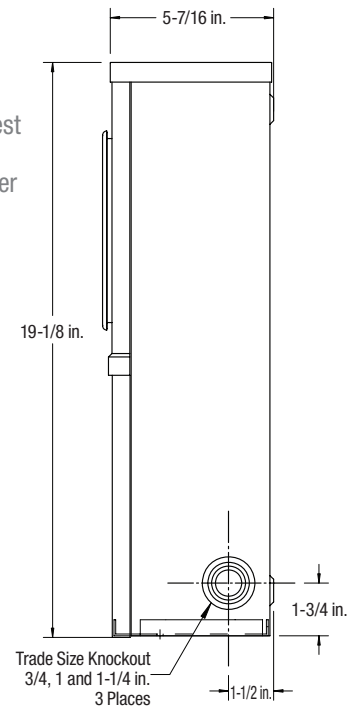
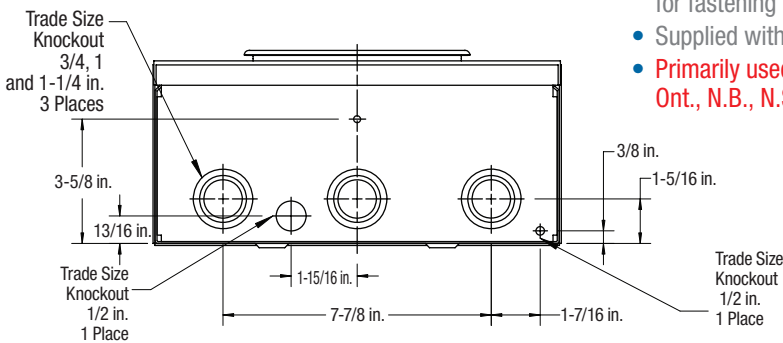


## CT Series

**20 A 600 V; Transformer Rated c/w Compartment for Test Switch**

### Product Specifications

- Conductor range: 14-10 AWG
- Tunnel type connectors for both load and line sides
- For underground service only
- Meter compartment cover overlaps lower test switch compartment cover; insertion of meter securely holds upper cover in place by means of a catch
- Lower test switch compartment cover securely held by upper cover and a catch at bottom
- A removable mounting bridge is provided for fastening test switch
- Supplied with screw type ring
- **Primarily used in: AB, Sask., Man., Ont., N.B., N.S., P.E.I.**



Approved for copper only

Cat. No.	Description	Dimensions (in.)			Weight Each	
		H	W	D	lb.	kg
<b>4 JAW</b>						
<b>CT104</b>	Unwired unit with test switch provision	19-1/8	11-13/16	5-7/16	16	7.2
<b>5 JAW</b>						
<b>CT105</b>	Unwired unit with test switch provision	19-1/8	11-13/16	5-7/16	16	7.2
<b>8 JAW</b>						
<b>CT108</b>	Unwired unit with test switch provision	19-1/8	11-13/16	5-7/16	18	8.1
<b>13 JAW</b>						
<b>CT113</b>	Unwired unit with test switch provision	19-1/8	11-13/16	5-7/16	19	8.6

Lower test switch compartment cover securely held by upper cover and a out device with an enlarged pad hole (0.375 in. dia.)

Approved for copper only

Cat. No.	Description	Dimensions (in.)			Weight Each	
		H	W	D	lb.	kg
<b>5 JAW</b>						
<b>CT105-L</b>	BC Hydro approved with SWL cover with enlarged padlock hole	19-1/8	11-13/16	5-7/16	16	7.2
<b>8 JAW</b>						
<b>CT108-L</b>	BC Hydro approved with SWL cover with enlarged padlock hole	19-1/8	11-13/16	5-7/16	18	8.1
<b>13 JAW</b>						
<b>CT113-L</b>	BC Hydro approved with SWL cover with enlarged padlock hole	19-1/8	11-13/16	5-7/16	19	8.6

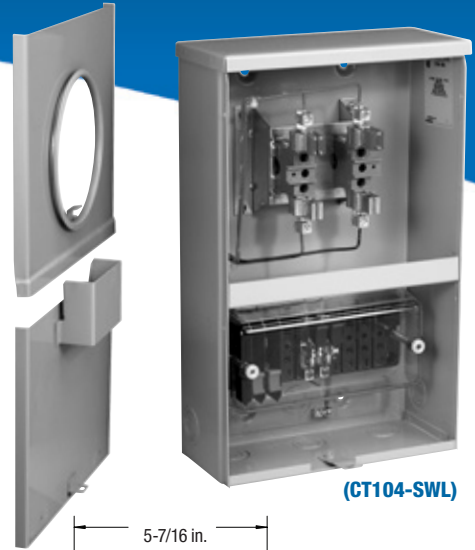


## CT-SWL Series

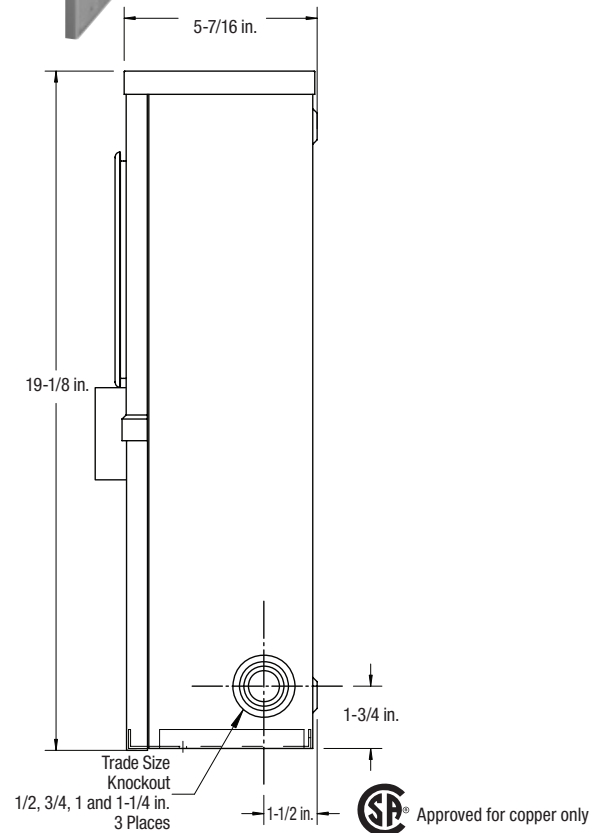
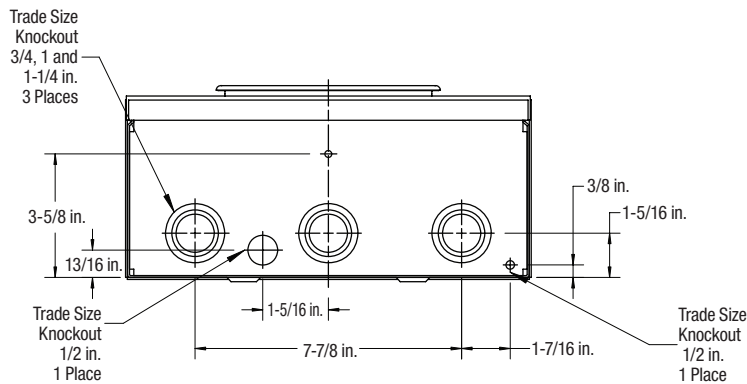
### 20 A 600 V; Transformer Rated c/w Test Switch

#### Product Specifications

- Conductor range: 14-10 AWG
- Tunnel type connectors for both load and line sides
- For underground service only
- Lower test switch compartment cover securely held by upper cover and a out device with an enlarged pad hole (0.375 in. dia.)
- Test switch included as part of these models
- Units are prewired from base to test switch
- Furnished with tamper resistant device for meter ring
- Weatherproof Type 3R enclosure



(CT104-SWL)



Cat. No.	Description	Dimensions (in.)			Weight Each	
		H	W	D	lb.	kg
<b>4 JAW</b>						
CT104-SWL	Factory prewired unit with lockout device on bottom door	19-1/8	11-13/16	5-7/16	18	8.2
CT104-6SWL	Factory prewired unit with lockout device on bottom door (Enmax approved) 5 <sup>th</sup> Jaw in 6 o'clock position					
CT104-5SWLHQ	Hydro-Québec approved 20 A current transformer meter socket	18	8-1/4	4-1/2	11	5.4
CT105-SWLMH	Manitoba Hydro approved 20 A current transformer meter socket	19-1/8	11-13/16	5-7/16	21	9.5
<b>6 JAW</b>						
CT106-SWL	Factory prewired unit with lockout device on bottom door	19-1/8	11-13/16	5-7/16	21	9.5
CT106-SWLNL	Newfoundland approved 20 A current transformer meter socket	19-1/8	11-13/16	5-7/16	21	9.5
<b>13 JAW</b>						
CT113-SWL	Factory prewired unit with lockout device on bottom door	19-1/8	11-13/16	5-7/16	21	9.5
CT113-SWLNL	Newfoundland approved 20 A current transformer meter socket	19-1/8	11-13/16	5-7/16	21	9.5