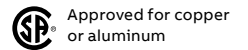


BD2 Series

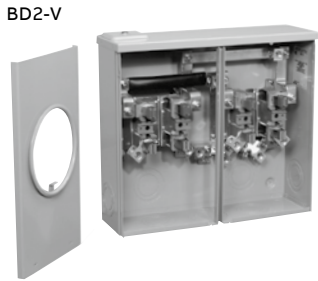
200 A (main lugs) 600 V; multiple position – 200 A per position

Product specifications

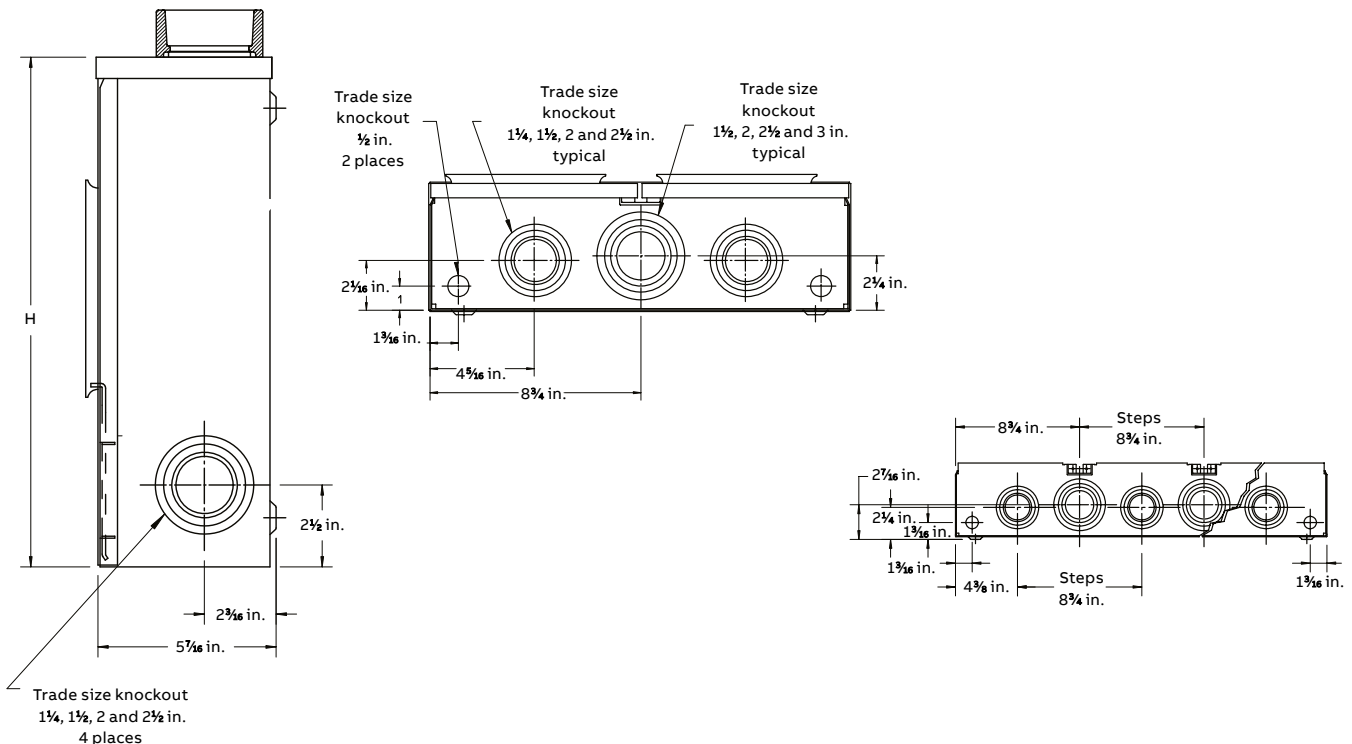
- Conductor range: line: 6 AWG–250 kcmil, load: 6 AWG–250 kcmil
- Aluminum tunnel type connectors for both load and line sides
- Factory prebussed from main lugs to each position
- Supplied with hub opening closure plate for underground service
- Combination overhead underground
- Supplied with screw type rings
- Weatherproof Type 3R enclosure
- Primarily used in: All provinces



Cat. no.	Meter position	Dimensions (in.)			Weight each		
		H	W	D	lb	kg	
4 Jaw							
Left-hand entry		Right-hand entry					
BD2-V	BD2-VH	2 position	15½	17½	5⅞	23	10.4
BD3-V	BD3-VH	3 position	15½	26¼	5⅞	35	15.9
BD4-V	BD4-VH	4 position	15½	35	5⅞	47	21.3
BD2-VBC	BD2-VBCH	2 position for British Columbia	20	17½	5⅞	27	12.2



Diagrams

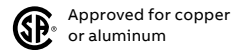


BDA2-V Series

200 A (main lugs) 600 V; multiple position with blank compartment 200 A per position

Product specifications

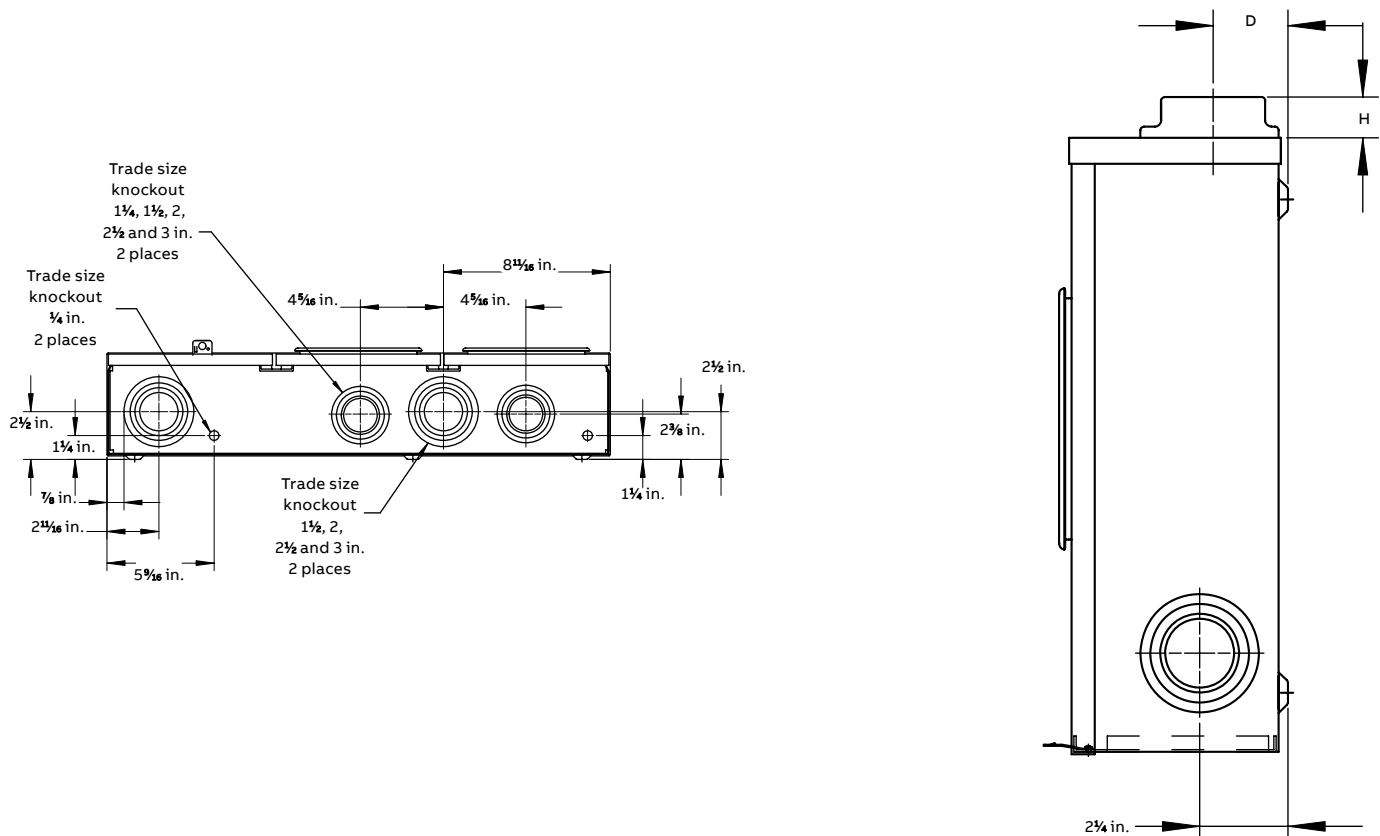
- Conductor range: line: 6 AWG–250 kcmil, load: 6 AWG–250 kcmil
- Aluminum tunnel type connectors for load side
- Combination overhead and underground
- Hub opening closure plate for underground service
- Supplied with screw type rings
- Weatherproof Type 3R enclosure
- Primarily used in: Ontario only



Cat. no.	Meter position	Dimensions (in.)			Weight each	
		H	W	D	lb	kg
4 Jaw						
Left-hand entry		Right-hand entry				
BDA2-V	BDA2-VH	2 position	15 ⁵ / ₁₆	26 ³ / ₁₆	5 ¹ / ₄	31 14.6



Diagrams



BDC Series

200 A (main lugs) 600 V; stud type multiple position with blank compartment
 200 A per position

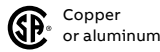


BDC2-VIL

Product specifications

- Conductor range: line: single ½ in. studs to accommodate compression lugs (supplied by utility), load: 6 AWG–250 kcmil
- Aluminum tunnel type connectors for load sides
- For underground service only
- Factory prebussed from main lugs to each position
- Supplied with screw type sealing rings
- Weatherproof Type 3R enclosure
- Primarily used in: All provinces

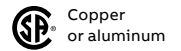
For use in all provinces



Cat. no.	Left-hand entry	Right-hand entry	Meter position	Dimensions (in.)			Weight each	
				H	W	D	lb	kg
4 Jaw								
BDC2-V		BDC2-VH	2 position	15 ⁵ / ₈	26 ³ / ₄	5 ¹ / ₄	30	13.6
BDC3-V		BDC3-VH	3 position	15 ⁵ / ₈	35	5 ¹ / ₄	42	19.0
BDC4-V		BDC4-VH	4 position	15 ⁵ / ₈	43 ³ / ₄	5 ¹ / ₄	54	24.5

Locking system outside meter section.

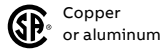
For use in Quebec



Cat. no.	Left-hand entry	Right-hand entry	Meter position	Dimensions (in.)			Weight each	
				H	W	D	lb	kg
4 Jaw								
BDC2-VIL		BDC2-VHIL	2 position	15 ⁵ / ₈	26 ³ / ₄	5 ¹ / ₄	30	13.6
BDC3-VIL		BDC3-VHIL	3 position	15 ⁵ / ₈	35	5 ¹ / ₄	42	19.0
BDC4-VIL		BDC4-VHIL	4 position	15 ⁵ / ₈	43 ³ / ₄	5 ¹ / ₄	54	24.5

Locking system inside meter section.

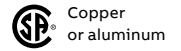
For use in British Columbia



Cat. no.	Left-hand entry	Right-hand entry	Meter position	Dimensions (in.)			Weight each	
				H	W	D	lb	kg
4 Jaw								
BDC2-VAILBC		BDC2-VAHILBC	2 position	20 ³ / ₄	26 ³ / ₄	5 ¹ / ₄	30	13.6
BDC3-VAILBC		BDC3-VAHILBC	3 position	20 ³ / ₄	35	5 ¹ / ₄	42	13.6
BDC4-VAILBC		BDC4-VAHILBC	4 position	20 ³ / ₄	43 ³ / ₄	5 ¹ / ₄	54	19.0

Locking system inside meter section, comes with tunnel type connector on line side.

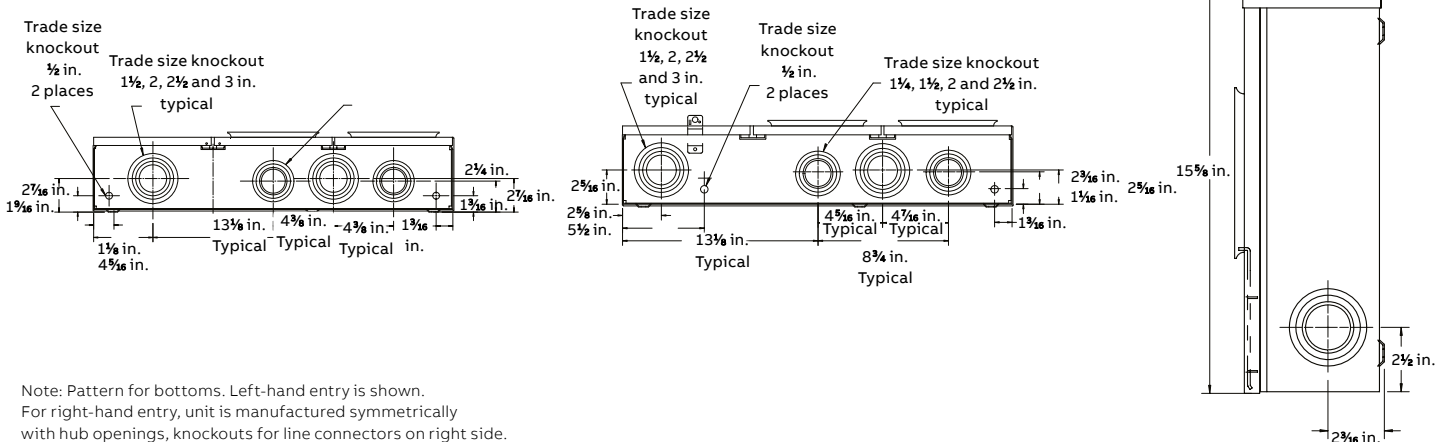
For use in Ontario



Cat. no.	Left-Hand Entry	Meter Position	H	W	D	Weight each	
						lb	kg
5 Jaw							
BDC2-5V		2 position	23 ³ / ₈	26 ³ / ₄	5 ⁵ / ₁₆	30	13.6
BDC3-5V		3 position	23 ³ / ₈	35	5 ⁵ / ₁₆	42	19.0
BDC4-5V		4 position	23 ³ / ₈	43 ³ / ₄	5 ⁵ / ₁₆	54	24.5

Locking system outside meter section.

Diagrams

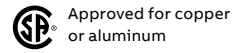


BS4 Series

400 A (main lugs) 600 V; multiple position with blank compartment 200 A per position

Product specifications

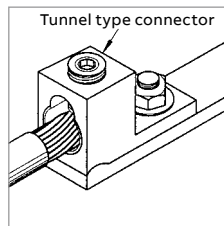
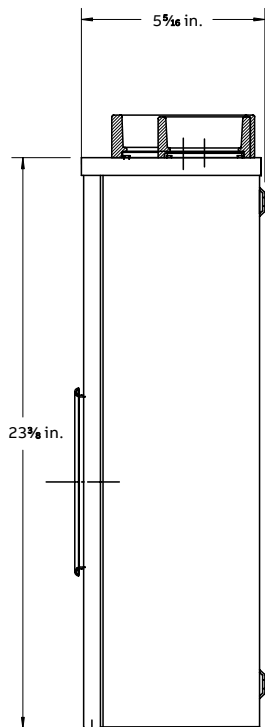
- Conductor range: line: dual rated connectors for 1 x 4 AWG–600 kcmil or 2 x 1/0 AWG–250 kcmil, load: 6 AWG–250 kcmil
- Aluminum tunnel type connectors for both load and line sides
- Factory prebussed from main lugs to each position
- Combination overhead-underground
- Supplied with hub opening closure plate for underground service
- Larger hub opening requires use of 3 in., 3½ in. or 4 in. hubs unless BS052 adapter plate is used
- Supplied with screw type rings
- Weatherproof Type 3R enclosure
- Primarily used in: All provinces



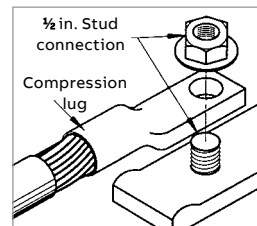
Cat. no.	Meter position	Dimensions (in.)			Weight each		
		H	W	D	lb	kg	
4 Jaw							
Left-hand entry		Right-hand entry					
BS42-V	BS42-VH	2 position	23¾	26¼	5½ ₁₆	45	20.4
BS43-V	BS43-VH	3 position	23¾	35	5½ ₁₆	59	26.8
BS44-V	BS44-VH	4 position	23¾	43¼	5½ ₁₆	73	33.1
BS45-V	BS45-VH	5 position	23¾	52½	5½ ₁₆	87	39.5
BS46-V	BS46-VH	6 position	23¾	61¼	5½ ₁₆	101	45.9



Diagrams



Tunnel type connector termination load and line



Compression lug termination (with stud connection) 500 kcmil max. Underground application compression connector supplied by utility.

