



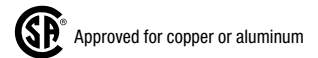
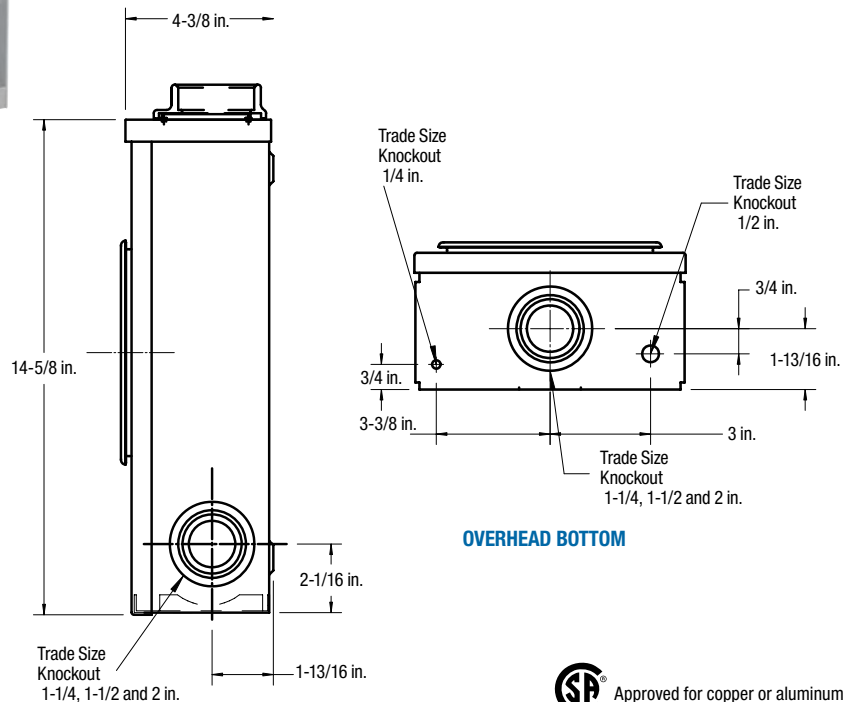
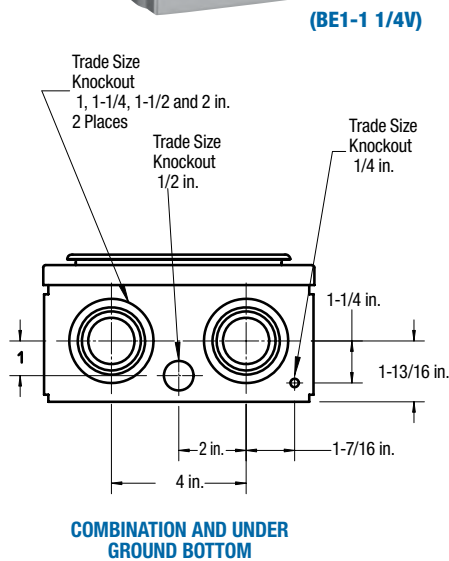
BE1 Series

100 A 600 V; King Size

Product Specifications

- Conductor range: 6-1/0 AWG
- Aluminum tunnel type connectors for both load and line sides
- For overhead, underground and combination overhead/underground
- Supplied with screw type ring
- Weatherproof Type 3R enclosure
- **Primarily used in all provinces, except British Columbia**

Note: Supply from an underground network often requires use of stud type connector. Consult your local utility.



Cat. No.	Description	Dimensions (in.)			Weight Each	
		H	W	D	lb.	kg
4 JAW						
BE1-V	Overhead, hub opening	14-5/8	8-1/4	4-3/8	8	3.6
BE1-1 1/4V	Overhead, hub opening, c/w 1-1/4 in. hub					
BE1-1 1/2V	Overhead, hub opening, c/w 1-1/2 in. hub					
BE1-TV	Underground					
BE1-TCV	Combination overhead-underground					
BE11-V-CM	Overhead, twin hub opening					
BE11-1 1/4V	Overhead, twin hub opening c/w 1-1/4 in. hubs					
FACTORY-INSTALLED ACCESSORIES						
Include: -5	5 th jaw, standard capacity, 9 o'clock position					
-9	5 th jaw, full capacity, 9 o'clock position					
-6	5 th jaw, full capacity, 6 o'clock position					
-IN	Insulated neutral					
-W	Water heater lugs					