

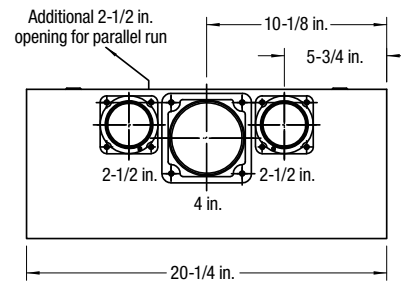
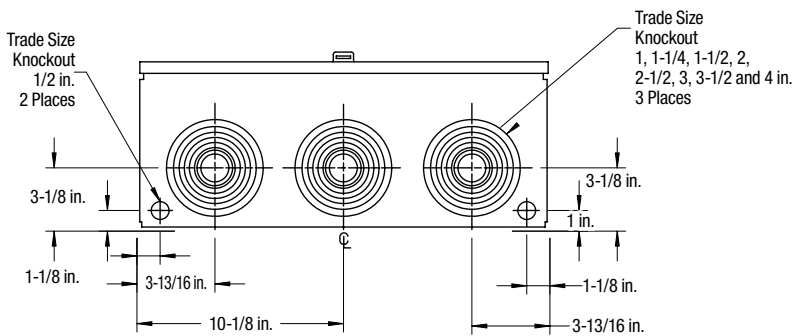
## JS4 Series

### 400 A 120/240 V; Single Phase Service

#### Product Specifications

- Load side terminations: tunnel type connectors, dual rated for 1 x 500 kcmil or 2 x 250 kcmil
- Fully wired secondary circuits
- Line side terminations: double 1/2 in. studs to accommodate compression lugs (supplied by utility) for underground service (1 x 500 kcmil or 2 x 250 kcmil)
- Permanent red nameplate affixed to front cover warns that removal of meter does not isolate the load terminals; also notice of automatic circuit closing device on JS4A and warning to short circuit current transformer secondary before removal of meter on JS4B
- Meter socket configuration for 5 jaw meters (can be readily converted to suit meter forms requiring 4 blades)
- 400/5 A three-wire current transformer provides low current for service metering proportional to higher current draw. Consumer and Corporate Affairs Canada approved for revenue metering (200/5 and 300/5 A also available)
- Gutter wiring space provided on left side
- Twin covers allow access to either compartment (single cover available on request)
- Hub opening closure plate for underground service. All units can be converted to overhead service with addition of conduit hub and JS250 or JS500 tunnel type connector kit
- Hinged bridges and readily removable crossbar with keyholes permit easy wiring without obstructions
- Heavy gauge galvanized steel. Oven-cured grey enamel finish.
- For aluminum JS4's see page D41 for product specs and dimensions
- Three 1-1/4 in., 1-1/2 in., 2 in., 2-1/2 in., 3 in., 3-1/2 in., 4 in. Bottom Knockouts
- Weatherproof Type 3R enclosure

**New**



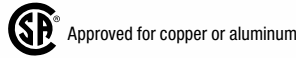
**SP** Approved for copper or aluminum

#### Product Usage by Province/Utility

<b>Newfoundland</b>	JS4B-4ST, JS4B-NL, JS4B-EALNL	<b>Saskatchewan</b>	JS4A-4TWE	<b>Northern Ontario</b>	JS4A, JS4A-4
<b>Quebec</b>	None approved	<b>Alberta</b>	JS4B-4T	<b>Cornwall Hydro</b>	JS4A-4T
<b>Nova Scotia</b>	JS4B-STNS	<b>British Columbia</b>	JS4B-STW	<b>Ottawa Hydro</b>	JS4AB-TW
<b>New Brunswick</b>	JS4B (EAL)	<b>Hydro Ontario</b>	JS4A, JS4A-200/5, JS4A-300/5, JS4A-4, JS4A-4T, JS4B, JS4B-4 JS4B-ST, JS4AB	<b>Toronto Hydro</b>	JS4AB-300/5
<b>Manitoba</b>	JS4A-4TW, JS4A-4TWEAL				

## JS4 Series

### 400 A 120/240 V; Single Phase Service

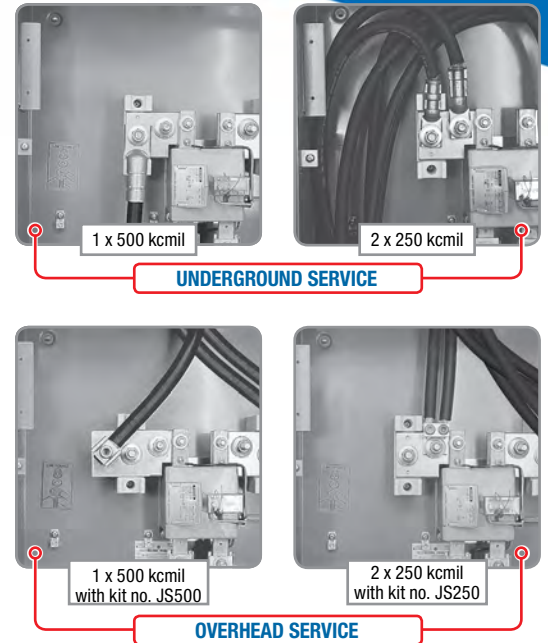


Cat. No.	JS4 Underground 400 to 5 Ratio • 5 Jaw • Twin Cover
JS4A	Equipped with automatic circuit closing device
JS4B	Equipped with test switches

Include	Factory Modifications
-4	4 jaw meter socket configuration
-S	Provision only for test switches (test switches supplied by power authority)
-T	Provision only for current transformer (transformer supplied by power authority)
-W	Secondary circuit wiring not included (secondary circuit wired by power authority)
-Z	"Peerless security" collar (S102WD)
-200 / 5	200 A to 5 ratio current transformer
-300 / 5	300 A to 5 ratio current transformer

Cat. No.	Overhead Entry Conversion Kits (1 Kit Required per Socket)
JS250	2 x 250 kcmil tunnel connector kit for line side terminations
JS500	1 x 500 kcmil tunnel connector kit for line side terminations
KIT-JS4B	5 <sup>th</sup> jaw assembly kit for NB Power

Note: Refer to page D40 for "Product usage by Province utility"

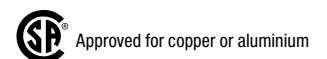
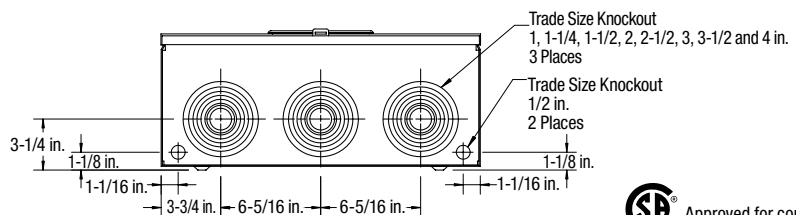
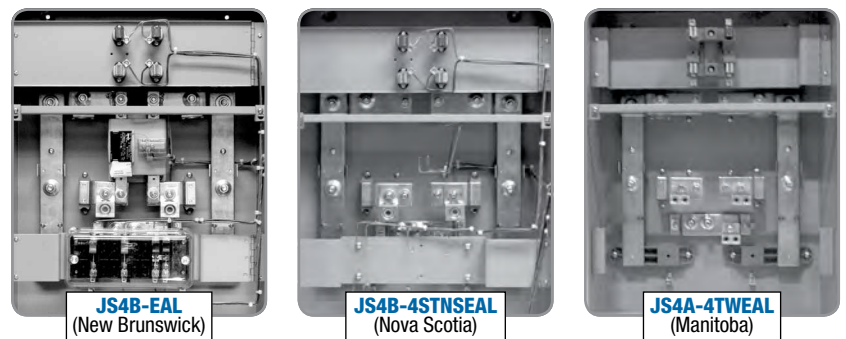


## JS4 Series – Single Phase Service Aluminum only

### Product Specifications

- Line side terminals: Overhead: 1 x 750 kcmil Cu Al or 2 x 350 kcmil Cu Al Undergound: 2 x 1/2 in. stud to accommodate, 1 x 750 kcmil or 2 x 350 kcmil Cu Al compression lugs
- Load side terminals: 1 x 750 kcmil Cu or Al or 2 x 350 MCM Cu/Al
- Combination overhead/underground meter socket
- 4 jaws meter socket configuration

Overhead Kit required (1 kit per socket)  
 JS350 2 x 350 kcmil Overhead Kit  
 JS750 1 x 750 kcmil Overhead Kit



Cat. No.	Description	Dimensions (in.)			Weight Each	
		H	W	D	lb.	kg
JS4A-4TWEAL	Aluminum Feed 400 A meter socket (Manitoba only)	38-1/8	20-1/16	8-1/4	70	31.75
JS4B-EAL	Aluminum Feed 400 A meter socket (New Brunswick only)				72	32.65
JS4B-4STNSEAL	Aluminum Feed 400 A meter socket (Nova Scotia only)					